

Pickup Box Tiered Storage Bar Package Installation

Installation Instructions Part Number

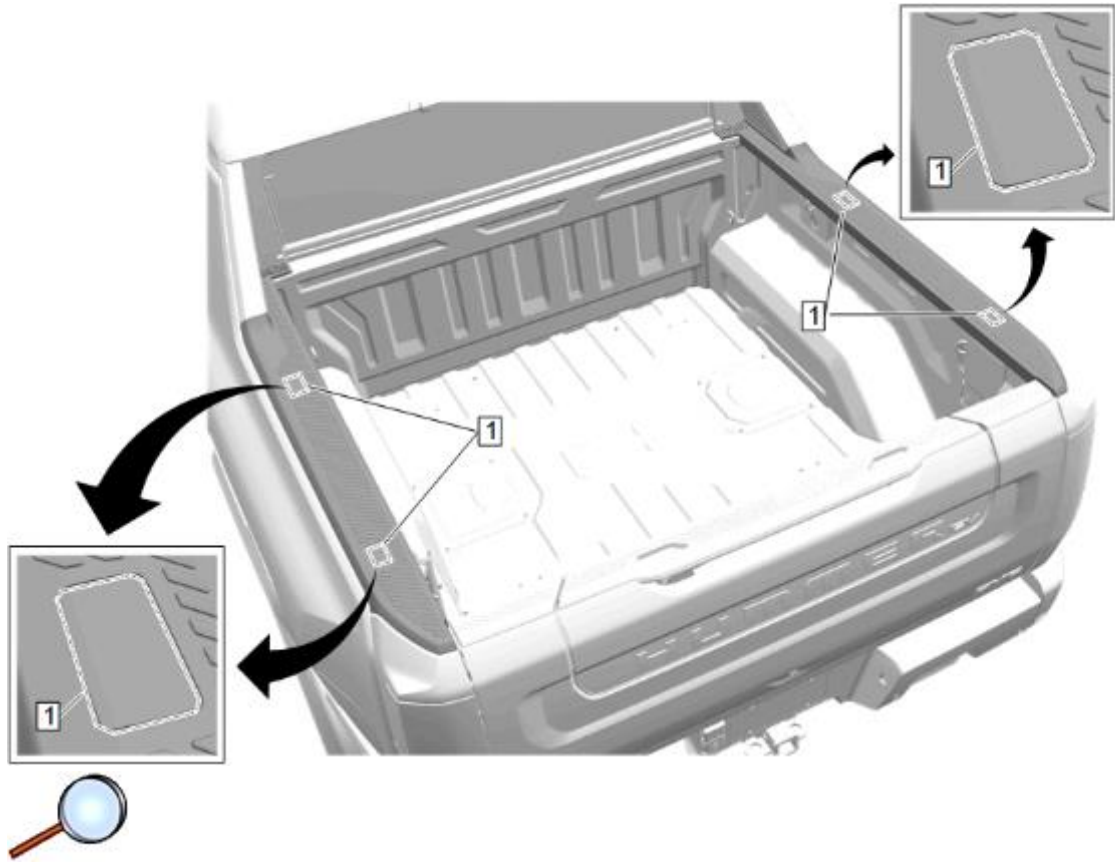
84945778

Kit Contents

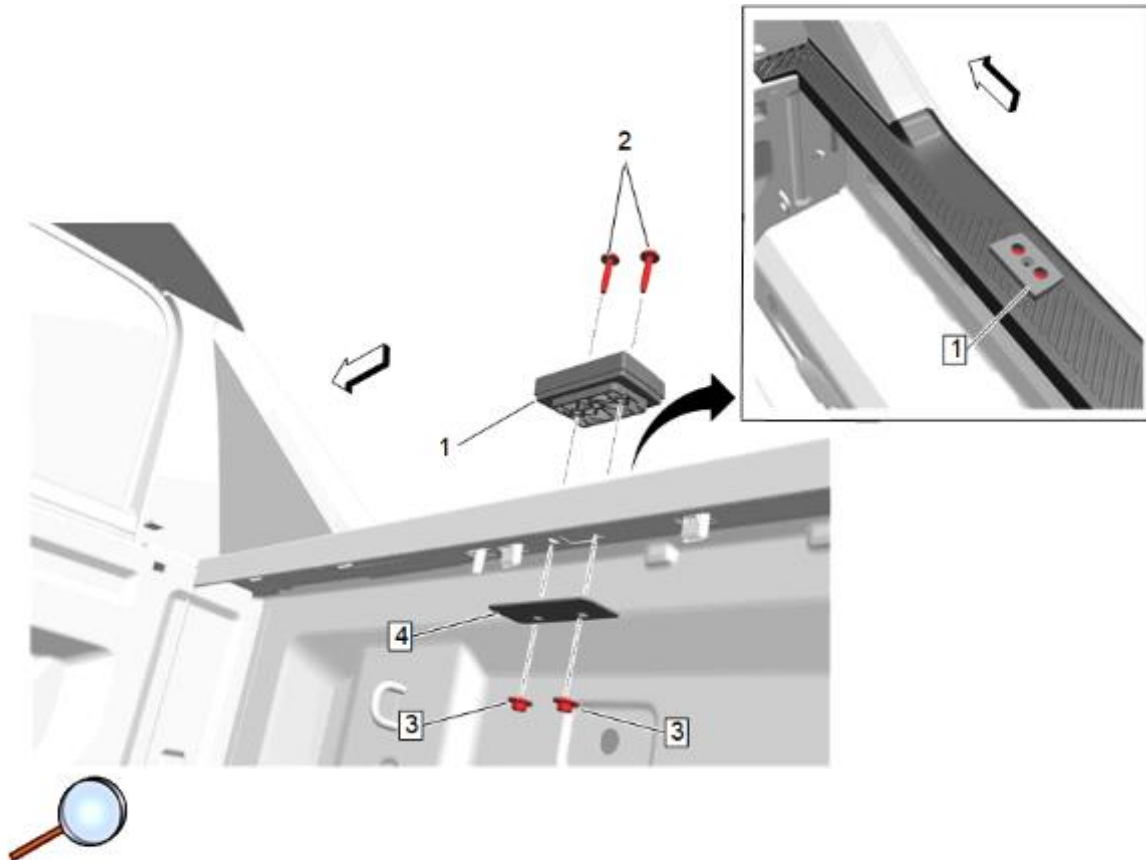
Qty	Description
2	Bed Cross Rail
4	M8 Flathead Screw
8	M6 Screw
4	M6 Nut
4	M6 U-clip
4	Bed docking station
2	Dock station plate
1	Installation Instructions

Note: This kit can be installed in bed of Hummer EV truck.

[Procedure](#)

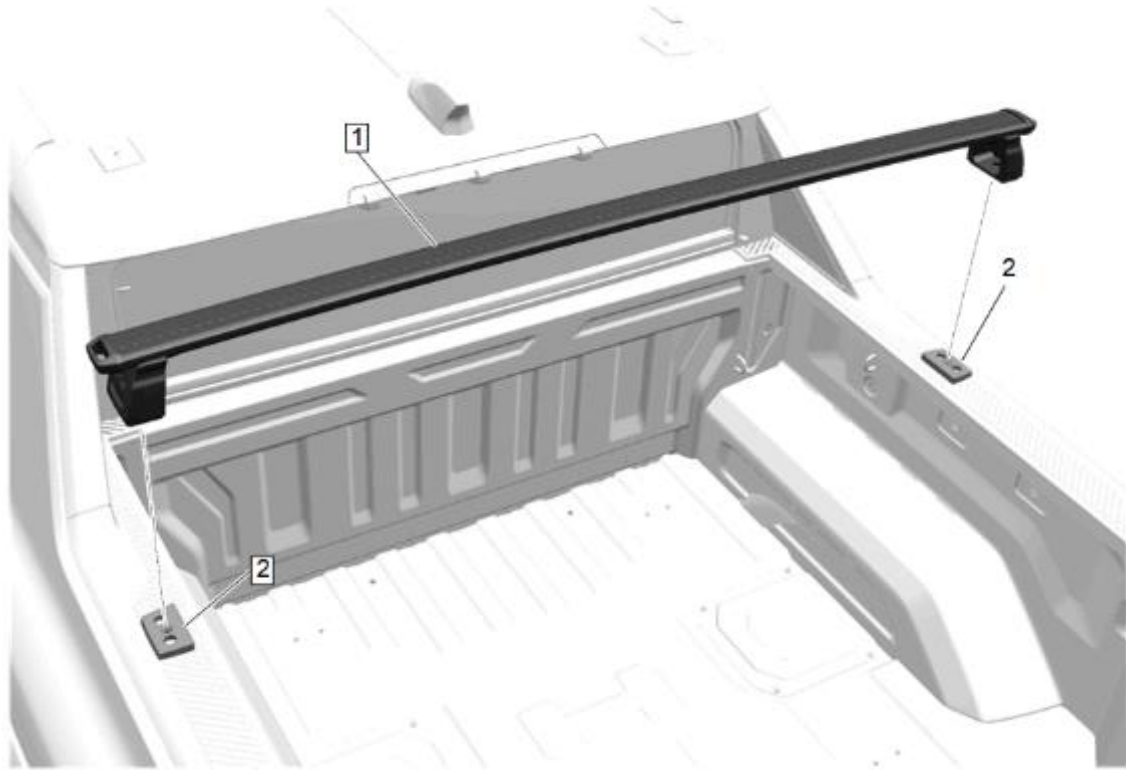


1. Cut out bed cap docking station location plastic (1) at four openings following grooved perimeter.



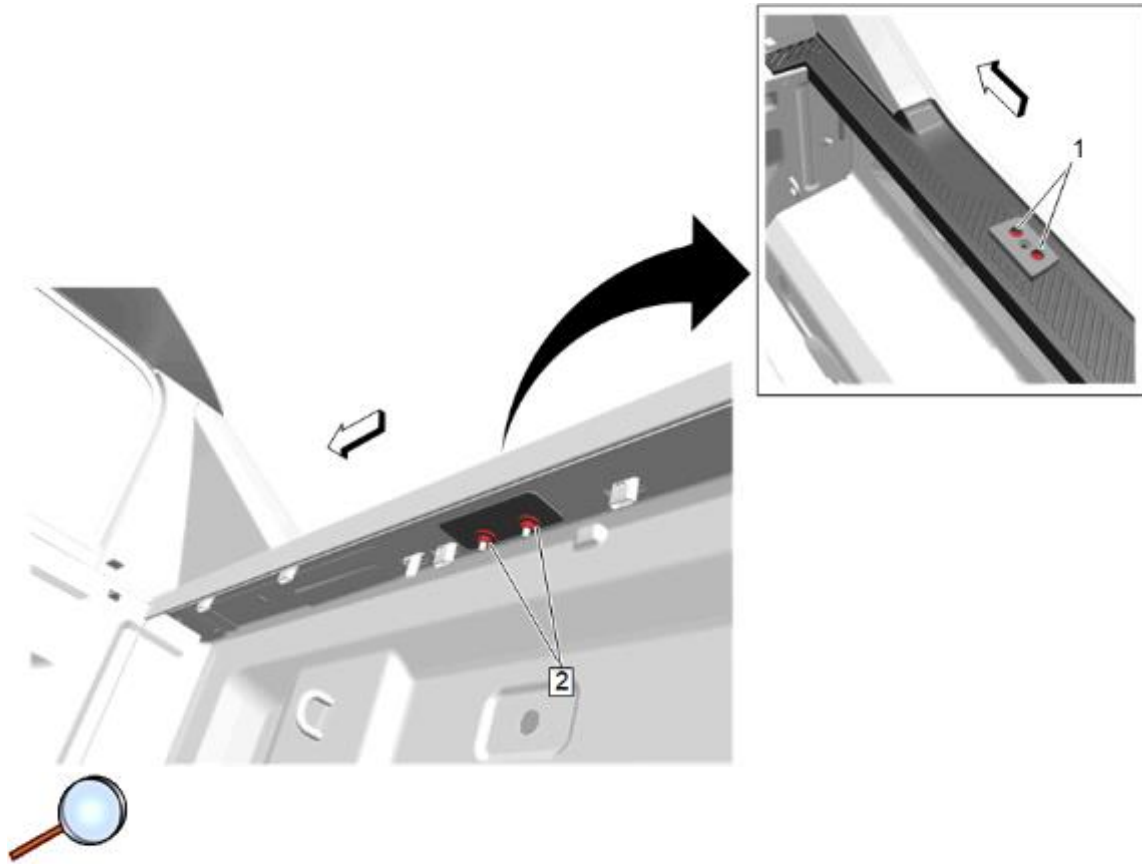
Caution: Use the correct fastener in the correct location. Replacement fasteners must be the correct part number for that application. Fasteners requiring replacement or fasteners requiring the use of thread locking compound or sealant are identified in the service procedure. Do not use paints, lubricants, or corrosion inhibitors on fasteners or fastener joint surfaces unless specified. These coatings affect fastener torque and joint clamping force and may damage the fastener. Use the correct tightening sequence and specifications when installing fasteners in order to avoid damage to parts and systems.

2. At passenger-side front docking station location loosely install bed docking station (1), using two M6 screws (2), two M6 nuts (3) and one docking station plate (4). Do not tighten at this time, repeat step 2 for opposite side.

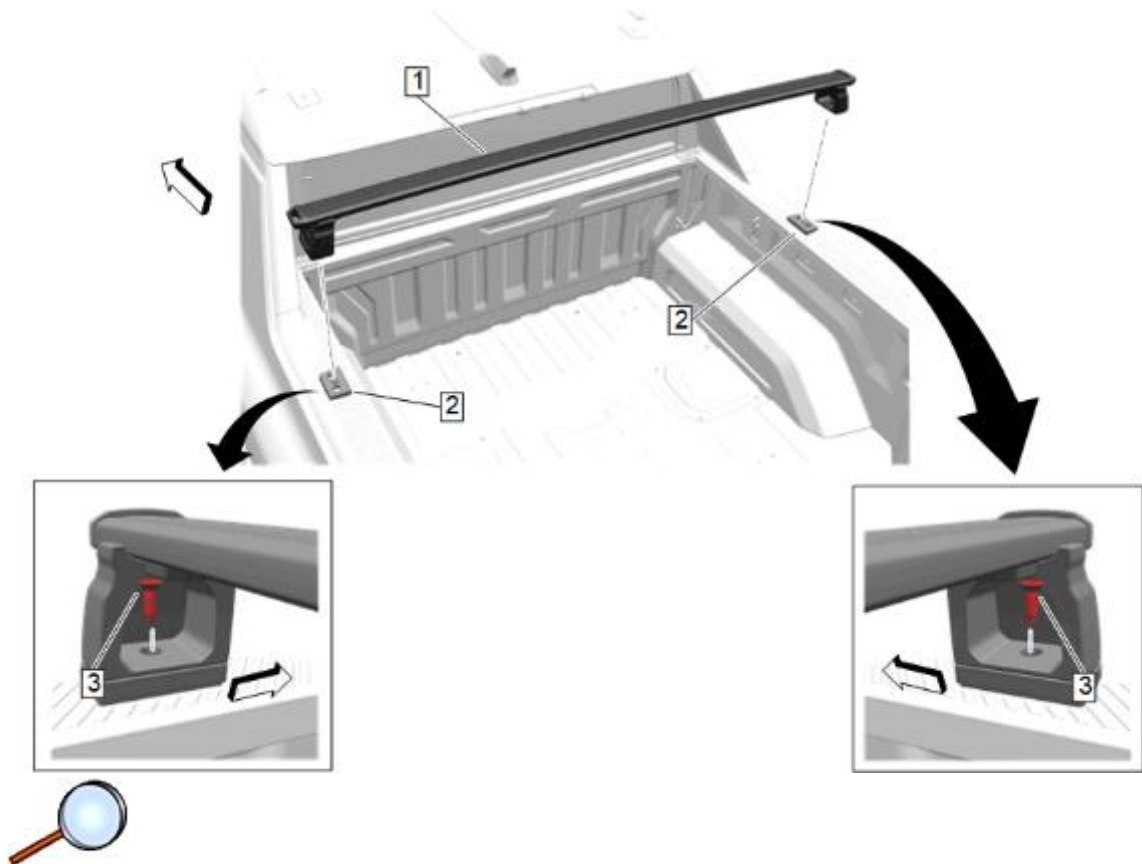


3. Place crossbar assembly (1) on front docking stations (2) and adjust docking station spacing and centering as needed, then remove crossbar assembly.

Note: Passenger-side stanchion will slide for cross-car adjustment.

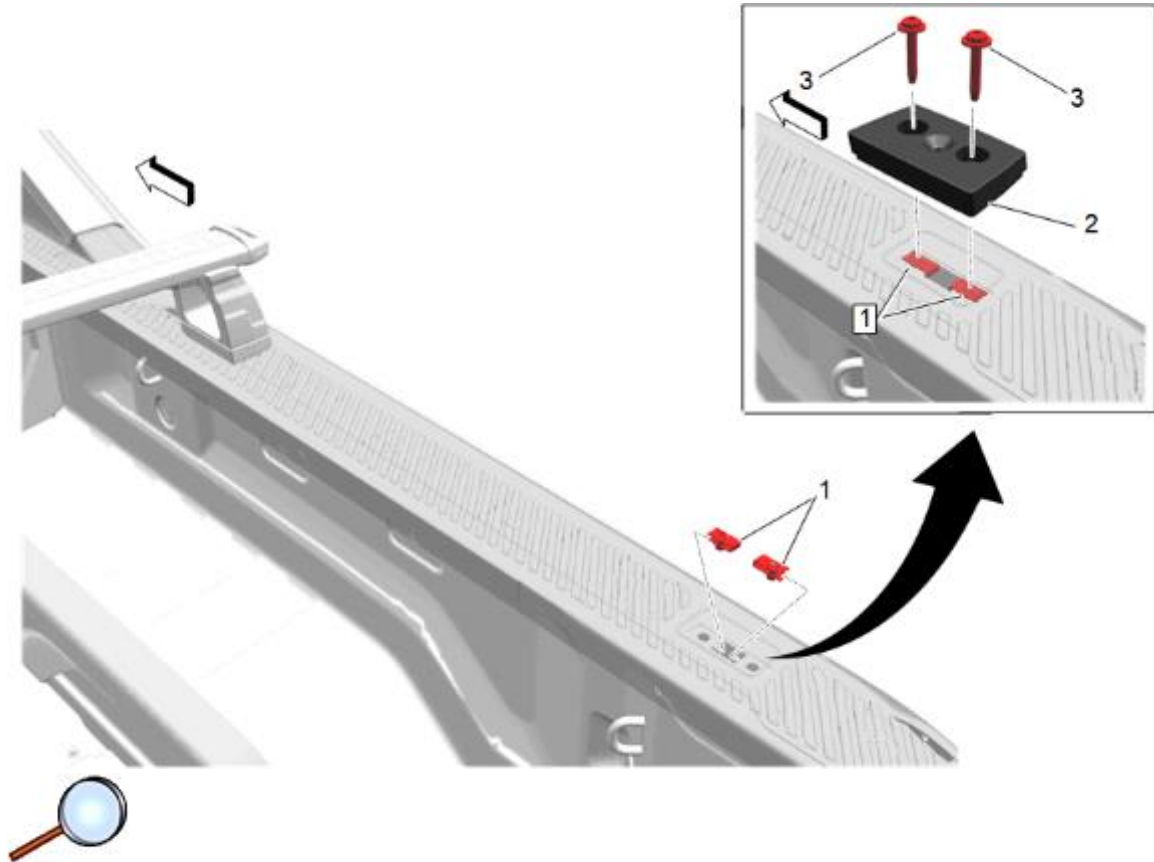


4. At the passenger-side front bed docking station (1) fully tighten two M6 screws (1) into two M6 nuts (2) to 8 N.m (6 lb ft). Repeat step 4 for opposite side.

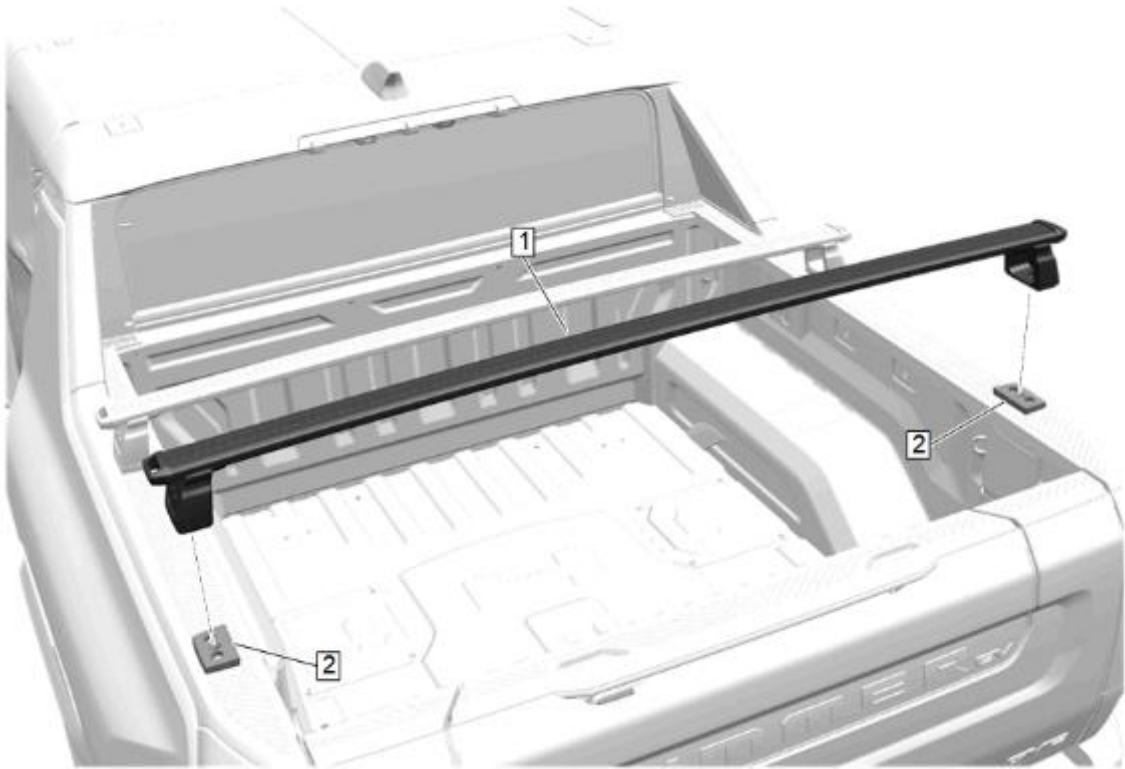


5. Place crossbar assembly (1) over front bed docking stations (2).

6. Hand start one M8 flat head screw (3) through stanchion into bed docking station on both the driver-side and passenger-side, then tighten to 24 N.m (18 lb ft).

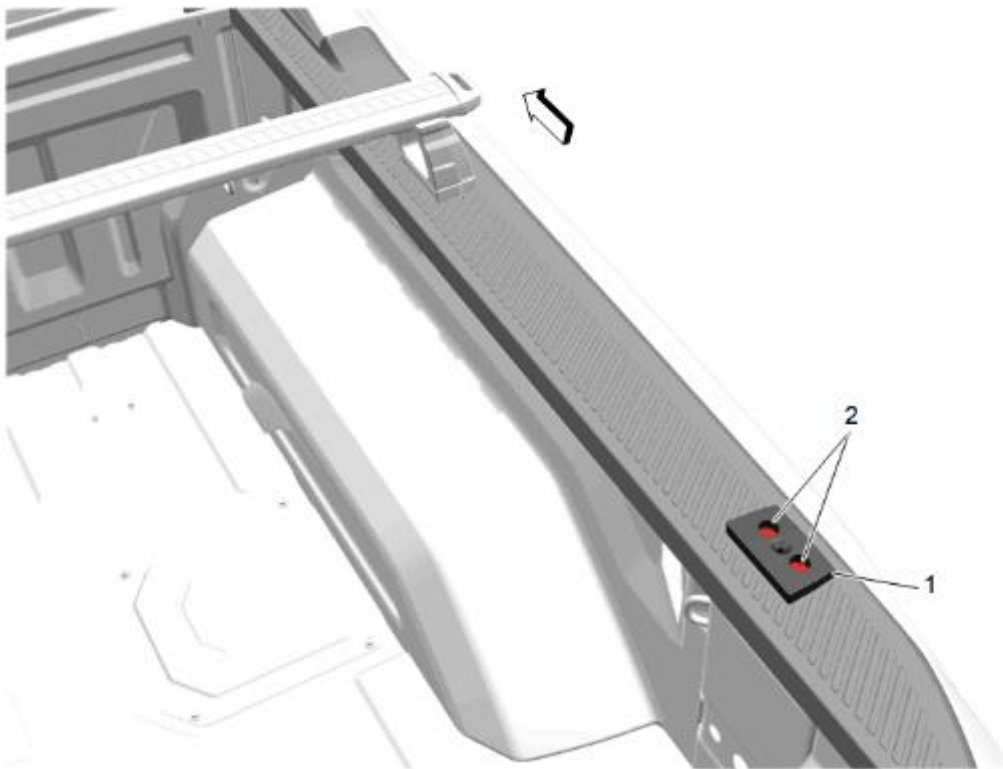


7. Inside passenger-side rear docking station location install two M6 u-nuts (1). Then loosely install bed docking station (2) with two M6 screws (3) into the two M6 u-nuts (1). Repeat step 7 for opposite side.

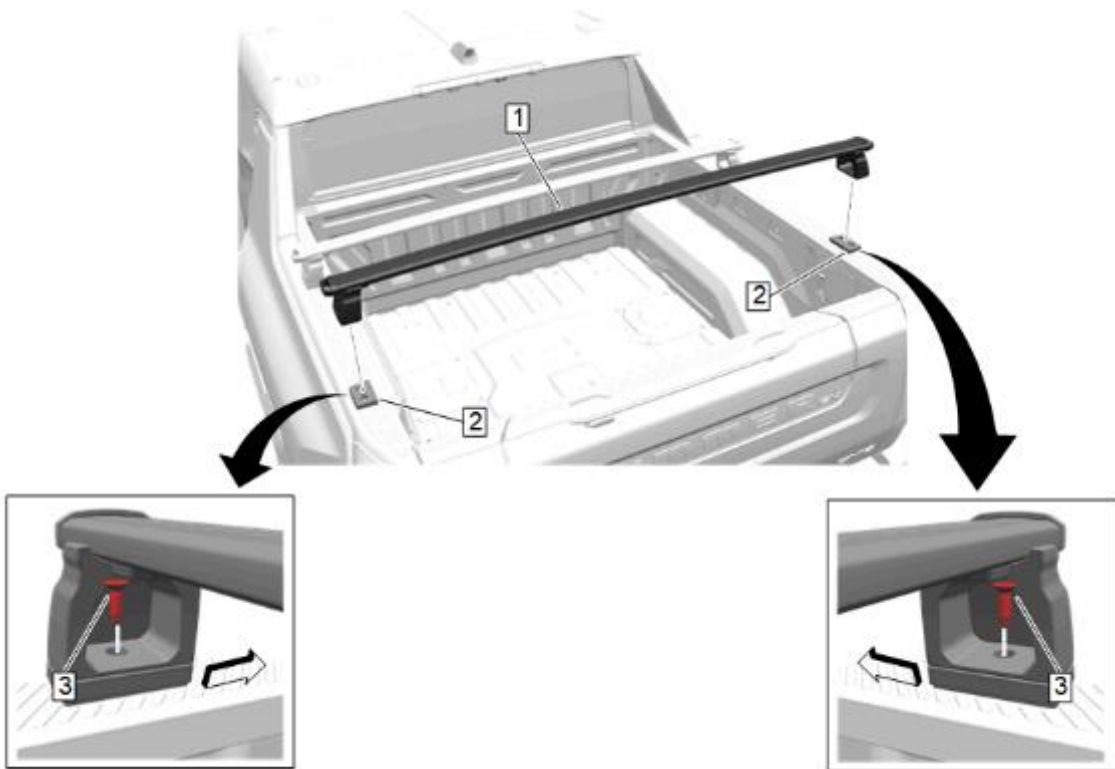


8. Place crossbar assembly (1) on rear docking stations (2) and adjust docking station spacing and centering as needed, then remove crossbar assembly.

Note: Passenger-side stanchion will slide for cross-car adjustment.



9. At the passenger-side rear bed docking station (1) tighten two M6 screws (2) to 8 N.m (6 lb ft). Repeat step 9 for opposite side.



10. Place crossbar assembly (1) over rear bed docking stations (2).

11. Hand start one M8 flat head screw (3) through stanchion into bed docking station on both the driver-side and passenger-side, then tighten to 24 N.m (18 lb ft).



Crossbars complete.