



Fuel Tank Skid Plate

FOR Chevy Colorado/GMC Canyon
2023 - Current

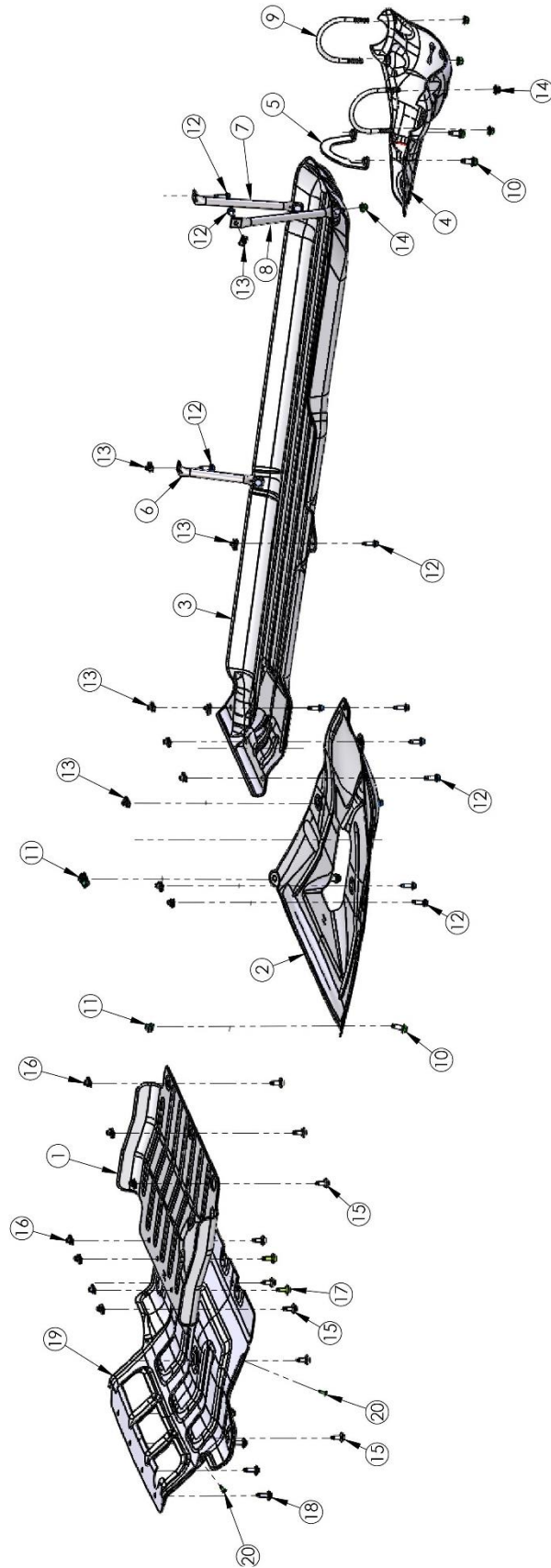
INSTALLATIONGUIDE



| INCLUDED PARTS | QTY | REQUIRED TOOLS |
|----------------------------|-----|--------------------------|
| Fuel Tank Skid Plate | 1 | Ratchet (1/4" and 3/8") |
| Hardware Pack | 1 | Torque Wrench |
| Rear Inboard Pencil Brace | 1 | 13MM Socket, 15MM Socket |
| Rear Outboard Pencil Brace | 1 | Jack stand |
| Front Inboard Pencil Brace | 1 | |

PLEASE READ BEFORE YOU START

To guarantee a quality installation, we recommend reading these instructions thoroughly before beginning any work. These instructions assume a certain amount of mechanical ability and are not written nor intended for someone not familiar with auto repair.





| ITEM NO. | PartNo | DESCRIPTION | QTY. |
|----------|------------|---|------|
| 1 | A32P1200AA | FRONT IFS SKID, STAMPING, 31XX-2 SKID PLATES | 1 |
| 2 | A32P1300AA | TRANSMISSION SKID, STAMPING, 31XX-2 SKID PLATES | 1 |
| 3 | A32P1400AA | FUEL TANK SKID, STAMPING, 31XX-2 SKID PLATES | 1 |
| 4 | A32P0195AB | REAR DIFF SLIDER, WELDMENT, 31XX-2 SKID PLATES | 1 |
| 5 | A32P0192AA | CLAMP, REAR DIFF, WELDMENT 31XX-2 SKID PLATES | 1 |
| 6 | A32P0142AB | PENCIL BRACE, FRT INBOARD FUEL TANK, 31XX-2 SKID PLATES | 1 |
| 7 | A32P0143AB | PENCIL BRACE, RR INR FUEL TANK, 31XX-2 SKID PLATES | 1 |
| 8 | A32P0144AB | PENCIL BRACE, RR OTR FUEL TANK, 31XX-2 SKID PLATES | 1 |
| 9 | A32P1953AA | U-BOLT, 31XX-2 SKID PLATES, REAR DIFF SLIDER | 2 |
| 10 | 11588738 | M10 X 1.5 X 25 HEX FLANGE BOLT | 4 |
| 11 | 11548589 | M10 X 1.5 U-NUT (PANEL THICKNESS RANGE 1.5-5.5) | 2 |
| 12 | 11588724 | M8 X 1.25 X 30 HEX FLANGE BOLT | 11 |
| 13 | 11548587 | M8 X 1.25 U-NUT | 10 |
| 14 | 11546366 | M10 X 1.5 HEX FLANGE LOCK NUT | 7 |
| 15 | 11519388 | M8 X 1.25 X 25 HEX SCREW AND WASHER | 8 |
| 16 | 11602085 | M8 X 1.25 U-NUT (PANEL THICKNESS 0.8-4.0) | 7 |
| 17 | 11611334 | M8 X 1.25 X 30 HEX SCREW AND WASHER ASM | 2 |
| 18 | 11603624 | M8 X 1.25 X 34.05 13mm HEX SOC, M-PT | 4 |
| 19 | A32P1100AB | RADIATOR SKID, 31XX-2 SKID PLATES | 1 |
| 20 | 11611883 | M4.2 X 1.41 X 20 TORX PAN HEAD SCREW (BR POINT, T15) | 4 |



I. VEHICLE PREPARATION

1. Notes Before Beginning

- A. If utilizing four- or two-point vehicle lift, make sure to allow space for skid plate installation on the drive side sub frame.



Figure 1

- 2. Remove factory Transmission Skid Plate and Fuel Tank Skid Plate (if applicable).
- 3. AEV Skid Plate Installation order if installing multiple skid plates:
 - A. AEV Front IFS Skid Plate, then AEV Radiator Skid Plate (Radiator Skid requires AEV front bumper).
 - B. AEV Fuel Tank Skid Plate, then AEV Transmission Skid Plate
 - C. Rear Differential Slider Skid plate (Independent)



4. Loosely install pencil braces to the Fuel Tank Skid Plate.
 - A. A32P0142AA front inboard (shorter brace with high angle)



Figure 2



B. A32P0143AA rear inboard (taller Brace with 90-degree angle)



Figure 3



C. A32P0144AA rear outboard (taller brace with minimal angle)



Figure 4

5. Align Fuel Tank Skid to find U-nut and rivnut locations.
 - A. Two U-nut Locations along Driver side sub frame.
 - B. Three U-nut locations along back transmission cross car frame.
 - C. Two U-Nut locations on subframe aligning with pencil braces.
 - D. Rivnut is located on the rear circular subframe point near the back of the fuel tank (figure 7).
 - i If this Rivnut is not already in place, accurately align pencil brace vertically to mark point. Drill hole and install rivnut.



6. Loosely tighten all 8 M8 bolts making sure Pencil braces are as close to vertical as possible.
 - A. If installing the AEV Transmission Skid plate, on the cross car subframe location closest to the transmission, only install the bolt that is closest to the driver's side of the vehicle.
 - B. If not installing AEV Transmission Skid plate, Install all bolts.



Figure 5



Figure 7

7. Tighten bolts to designated FT/LBS
 - A. M8 Bolts 16 FT/LBS
 - B. M10 Nuts to 42 FT/LBS