



33" FLARE TRIM KIT

FOR CHEVY COLORADO ZR2 & ZR2 BISON

PLEASE READ BEFORE YOU START

To guarantee a quality installation, we recommend reading these instructions thoroughly before beginning any work. These instructions assume a certain amount of mechanical ability and are not written nor intended for someone not familiar with auto repair.

REQUIRED TOOLS

Common Hand Tools
Air Saw

AEV30436AA

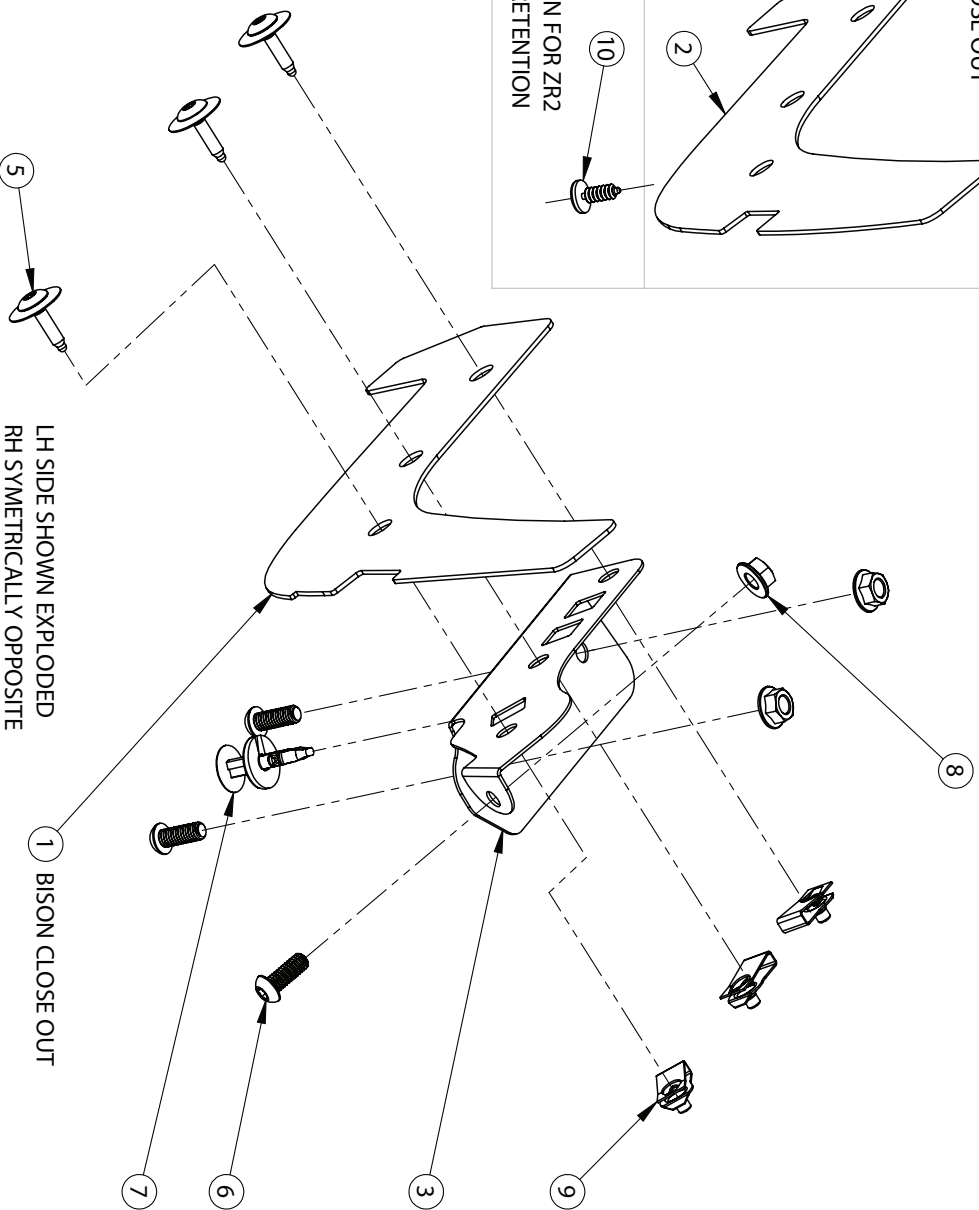
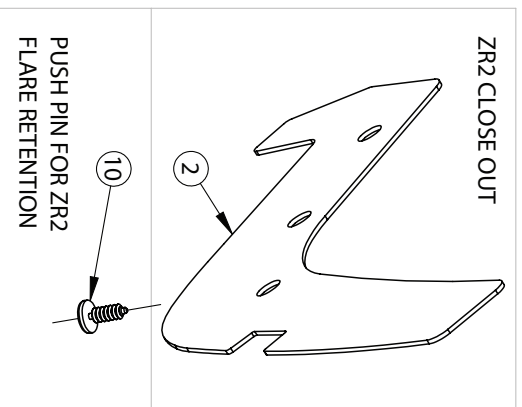
Last Updated: 11/11/20

INSTALLATION GUIDE



33" TIRE FLARE TRIM KIT - FRONT

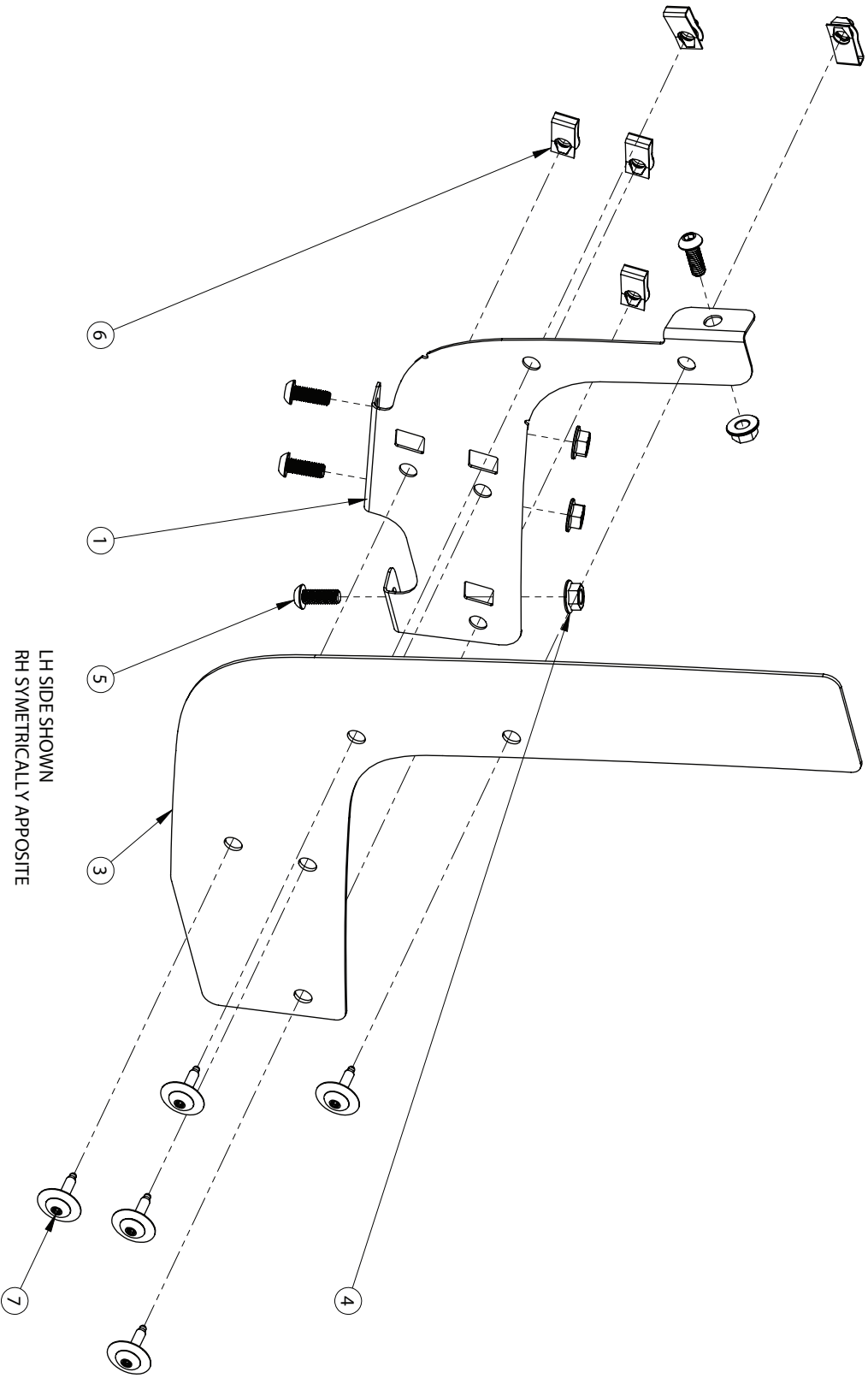
ITEM NO.	PARTNO	DESCRIPTION	QTY
1	ABNF1010AA	WHEEL LINER CLOSE OUT, BISON FLARES, 33" TIRE FRONT	2
2	ABNF1006AA	WHEEL LINER CLOSE OUT, ZR2 FLARES, 33" TIRE FRONT	2
3	ABNF1009AA	BRACKET, BISON/ZR2 FLARES, 33" TIRE FRONT LH	1
4	ABNF1008AA	BRACKET, BISON/ZR2 FLARES, 33" TIRE FRONT RH	1
5	11548270	M4.2 X 1.41 X 20 SHOULDER SCREW AND WASHER (WHEEL LINER)	6
6	AEV91068AB	M6 X 1.0 X 16 BUTTON HEAD SCREW P55873-BLACK	6
7	11589290	M6.5 PLASTIC PUSH PIN (4.5-7.0 PANEL THICKNESS)	2
8	11546389	M6 FLANGE NUT	6
9	11548580	M4.2 X 1.41 U-NUT (PANEL THICKNESS 0.65-3.80)	6
10	AEV98043AA	PUSH PIN, 7/16" HEAD DIA X 5/8" STEM LENGTH	2





33" TIRE FLARE TRIM KIT - REAR

ITEM NO.	PartNo	DESCRIPTION	QTY.
1	ABNF1011AA	BRACKET, BISON-ZR2 FLARES, 33IN TIRE REAR LH	1
2	ABNF1012AA	BRACKET, BISON-ZR2 FLARES, 33IN TIRE REAR RH	1
3	ABNF1013AA	CLOSEOUT, BISON-ZR2 FLARES, 33IN TIRE REAR	2
4	11546389	M6 FLANGE NUT	8
5	AEV91068AB	M6 X 1.0 X 16 BUTTON HEAD SCREW P55873-BLACK	8
6	11548580	M4.2 X 1.41 U-NUT (PANEL THICKNESS 0.65-3.80)	10
7	11548270	M4.2 X 1.41 X 20 SHOULDER SCREW AND WASHER (WHEEL LINER)	10





FRONT FLARES

I. DISASSEMBLY

1. Remove the M4 torx bolts from inside lower wheel wells, and Push Pins from underside of flares (fig. 1).

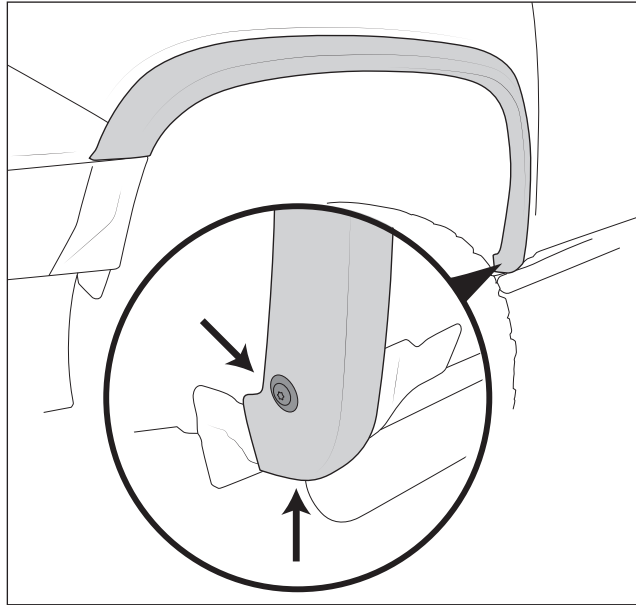


Figure 1 (ZR2 shown)

2. Gently pull flare from vehicle to release all the service clips.
3. Remove spat by sliding toward rear of vehicle (fig.2).

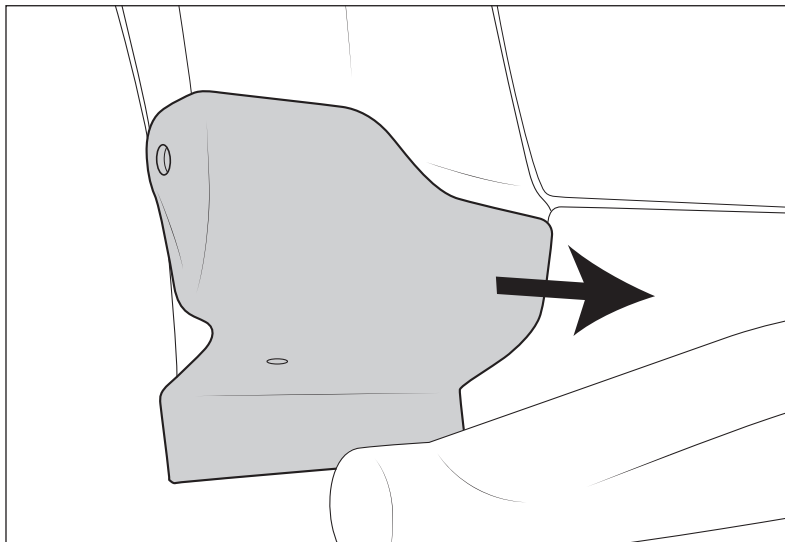


Figure 2

4. Roll inner fabric fender liner back away from work area.



II. CUTTING & DRILLING FENDER

1. Use template (LH: AEV30356AA & RH: AEV30357AA **BE SURE TO CHECK SCALE**) to mark cut line on sheet metal (fig. 3).

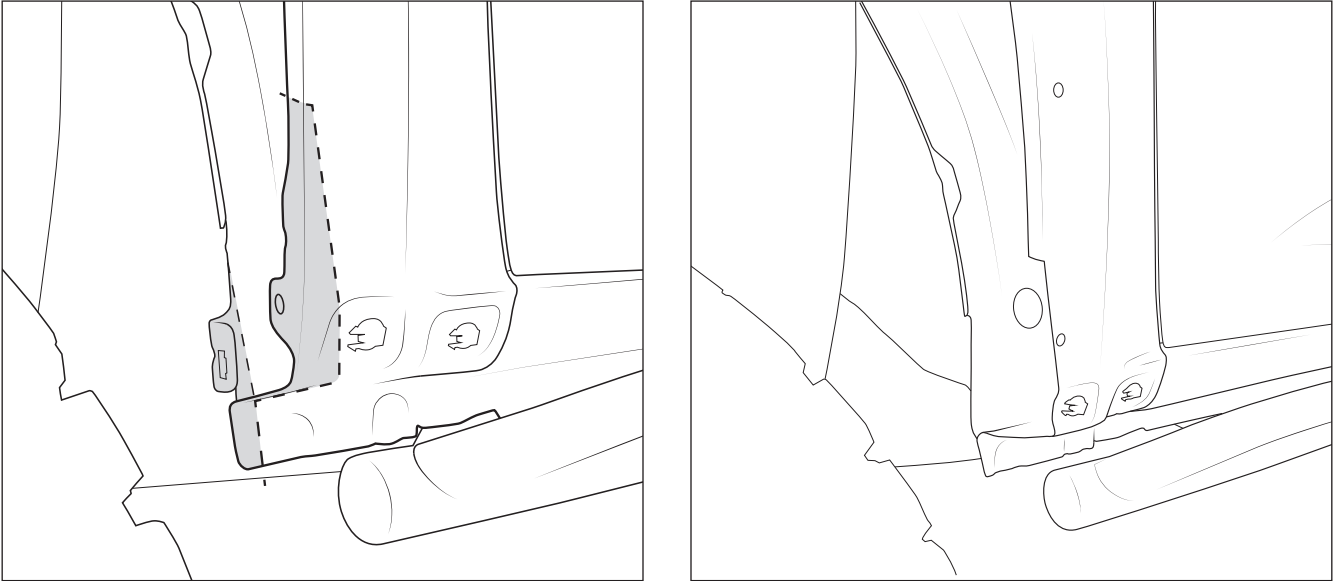


Figure 3: Before (left) After (right)

2. Cut along line and prep with rust preventative.
3. Using the bracket, mark the three hole locations on the sheet metal (fig. 4).

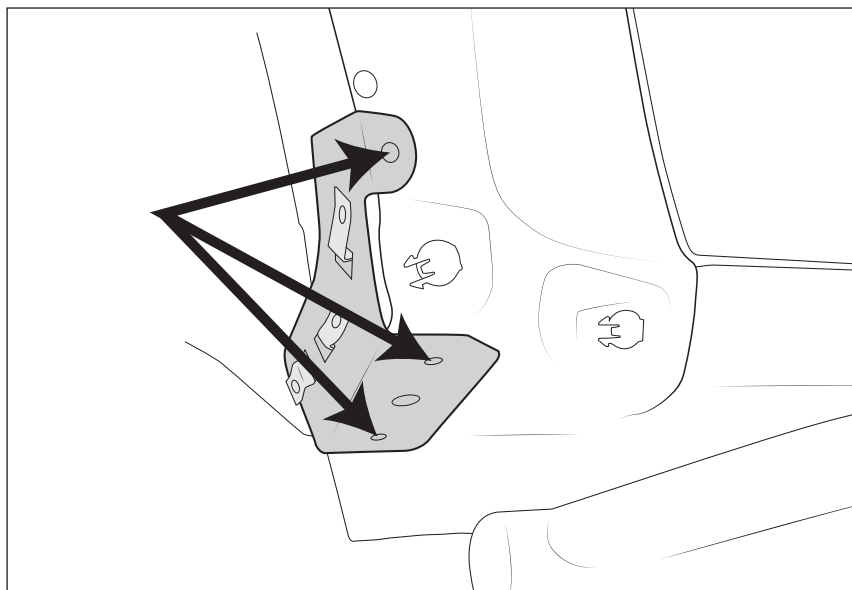


Figure 4

4. Drill three holes to 1/4" and prep with rust preventative.



III. INSTALLING BRACKET

1. Set bracket into place. Be sure the bracket is on the outside of the fender and not on the inside.
2. Secure into place with supplied hardware (fig. 5).

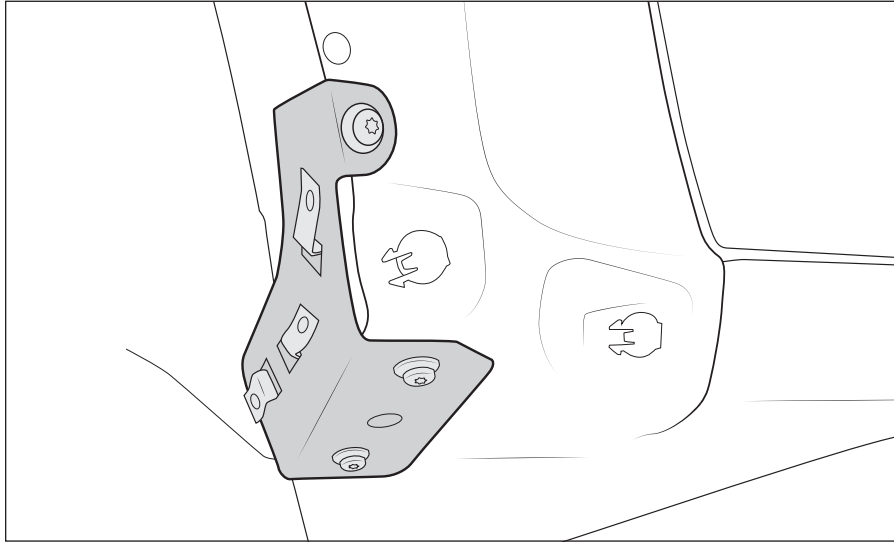


Figure 5

IV. CUTTING FENDER FLARE & SPAT

1. BISON Flares: Use templates (LH: AEV30354AA & RH: AEV30355AA **BE SURE TO CHECK SCALE**), to mark the cut line on the fender flare (fig. 6).
2. ZR2 Flares: Use templates (LH: AEV30352AA & RH: AEV30353AA **BE SURE TO CHECK SCALE**), to mark the cut line on the fender flare (fig. 6).

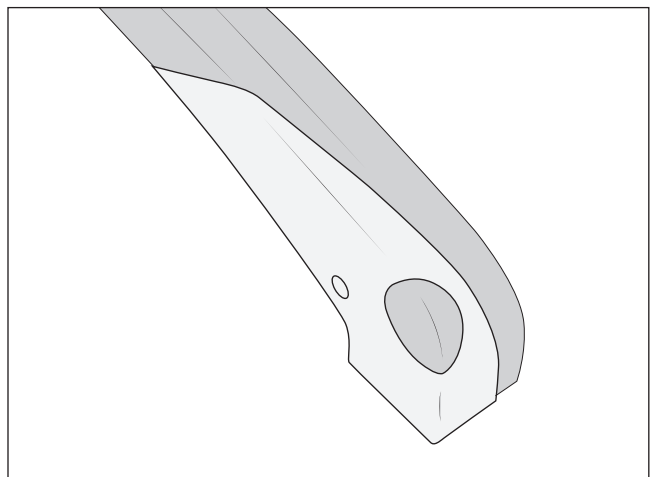
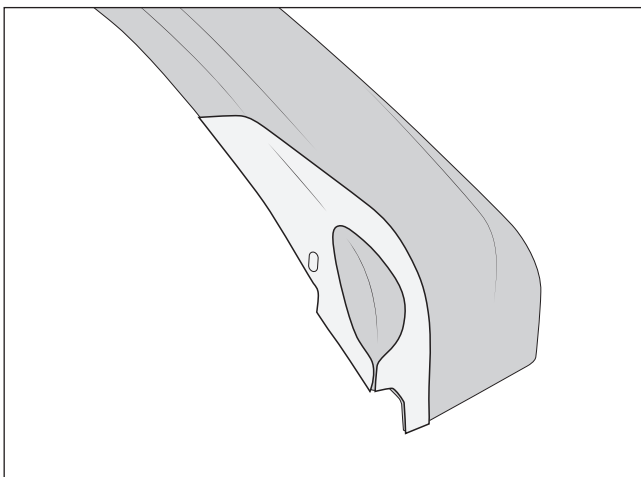


Figure 6: BISON Flare (left) ZR2 Flare (right)

3. Cut the flare, being careful not to cut through any of the attachment points.
4. Using template (LH: AEV30358AA & RH: AEV30359AA), mark the cut line, carefully cut the spat, and re-install.



V. FINAL INSTALLATION

1. Roll the fabric fender liner back into place, over the newly installed bracket.
2. Install the plastic closeout panel, sandwiching the fabric liner between it and the bracket (fig. 7).

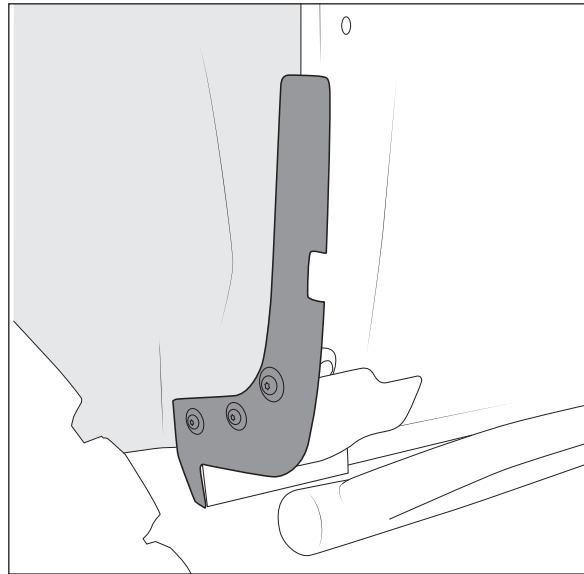


Figure 7

3. Snap fender flare back into place.
4. ZR2 Flares: Drill 3/16" hole through bottom of the fender flare and spat. Install plastic push rivet to secure bottom edge of flare (fig. 8).

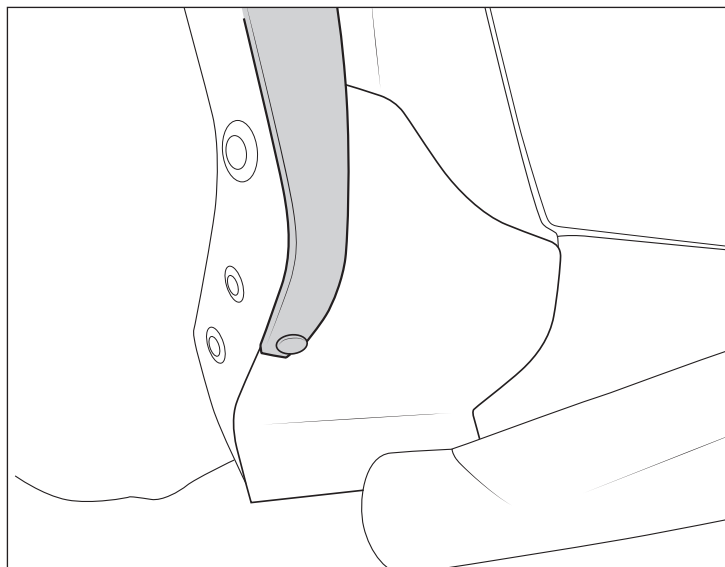


Figure 8



REAR FLARES

I. DISASSEMBLY

1. Remove M4 torx bolts from inside lower wheel wells, M4 torx bolt from underneath front side of flare, and Push Pin from underneath rear side (fig. 9).

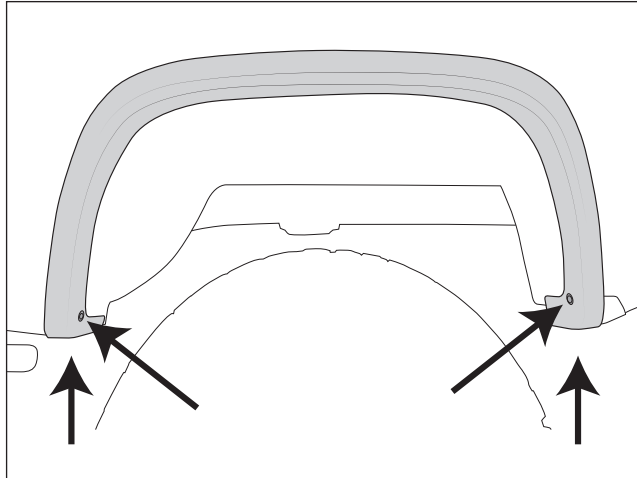


Figure 9

2. Gently pull flare from vehicle to release all the service clips.
3. Remove spat by unclipping the three push fasteners.
4. Remove fabric wheel liner and SAVE.

II. CUTTING & DRILLING FENDER

1. Use Templates (RH: AEV303090AA & LH: AEV30391AA) to mark cut line and drill locations on lower front of wheel openings. NOTE: Use tape to transfer cut line from upper template to lower template (fig 11).
2. The cut line will translate to the inner mounting tab.

NOTE: Tape can also be used to translate the cut line across the inner tab.

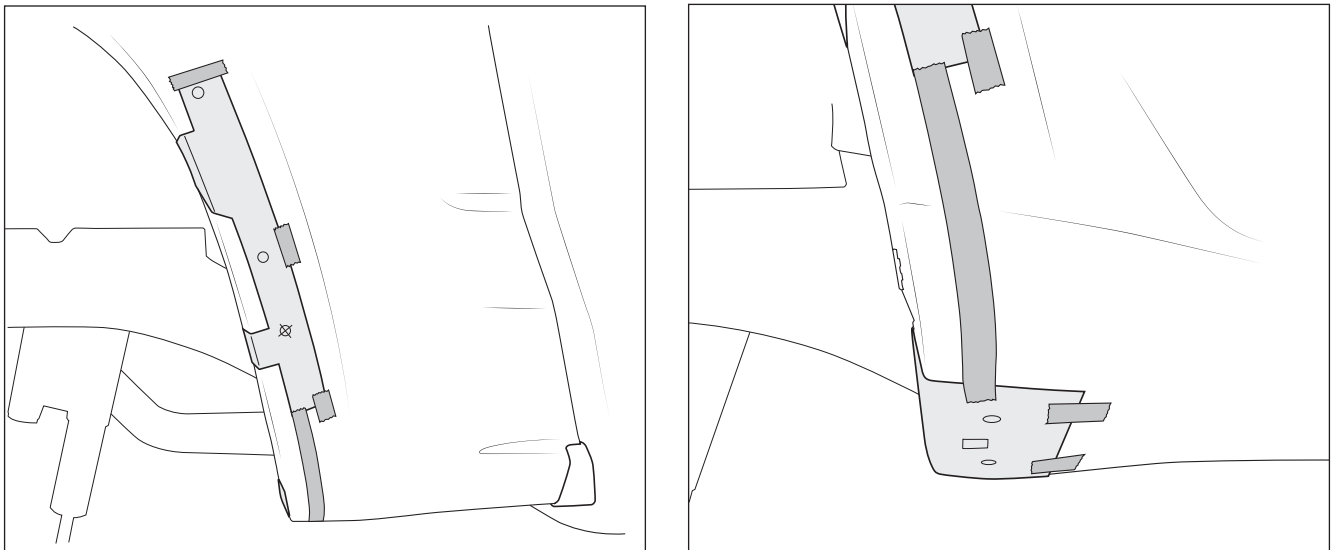


Figure 11



3. Drill holes then cut fender along marked line.
4. Prep all bare metal surfaces with rust preventative.

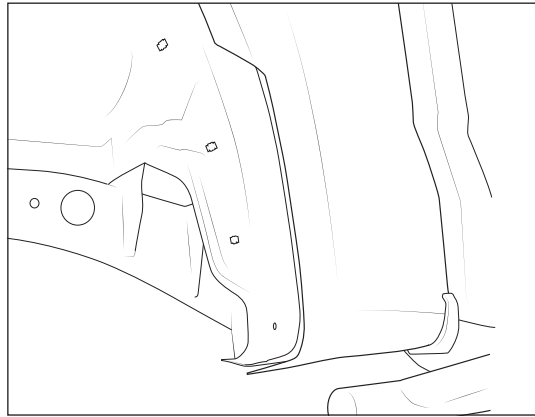


Figure 12

III. INSTALL BRACKET

1. Set bracket into place, making sure the bracket sits inside the sheet metal, not on the outside. Loosely install bracket using three M6x16mm bolts (AEV91068AB) and nuts (B-11546389).
2. Mark the inner most bracket mount location, remove bracket and drill hole (fig. 13).

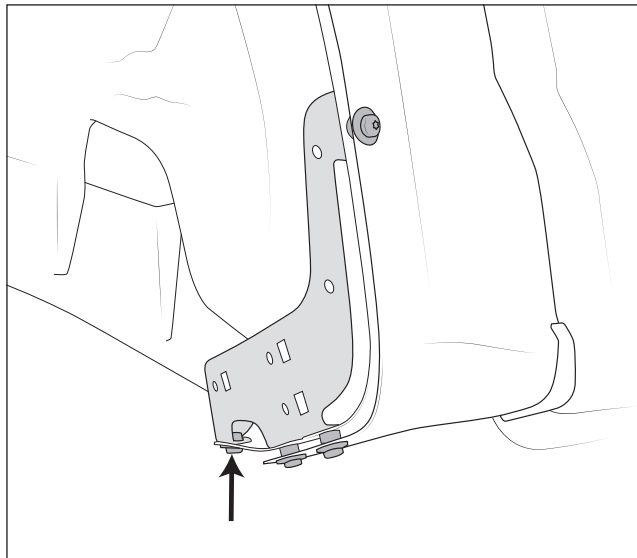


Figure 13

3. Prep all bare metal surfaces with rust preventative.



4. Install five U-nuts onto the bracket as shown (fig. 14)

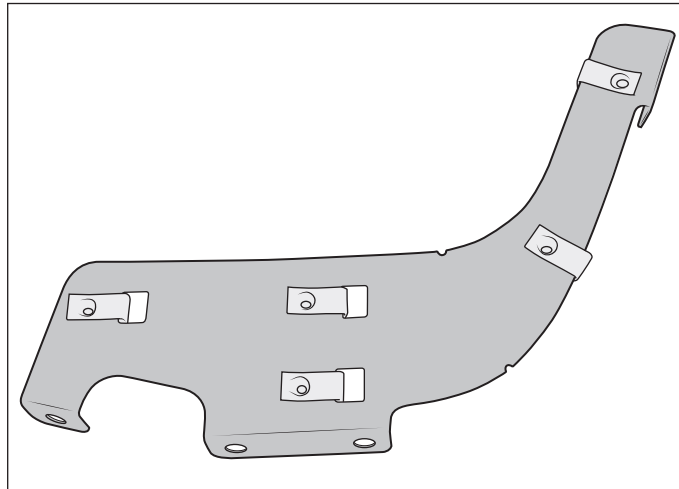


Figure 14

5. Install bracket using four M6x16mm nuts and bolts used earlier (fig. 13).

NOTE: Some trucks will need to use the supplied nylon spacers between inner and outer sheet metal.

IV. INSTALL WHEEL LINER & CLOSEOUT PANEL

1. Reinstall fabric wheel liner. It should sit behind the sheet metal of the fender.
2. Trim the fabric wheel liner as shown (fig. 15) to allow it to lay flat against the bracket.

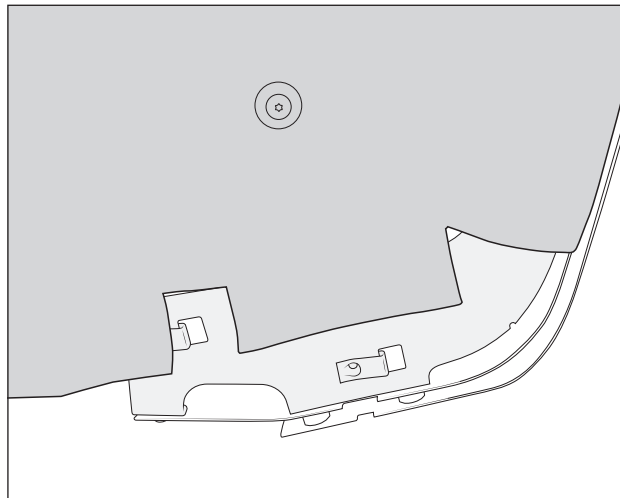


Figure 15

3. Mark and punch holes through the fabric that align with the U-nuts on the bracket.



4. Install plastic closeout panel onto the bracket, sandwiching the fabric wheel liner (fig. 16).

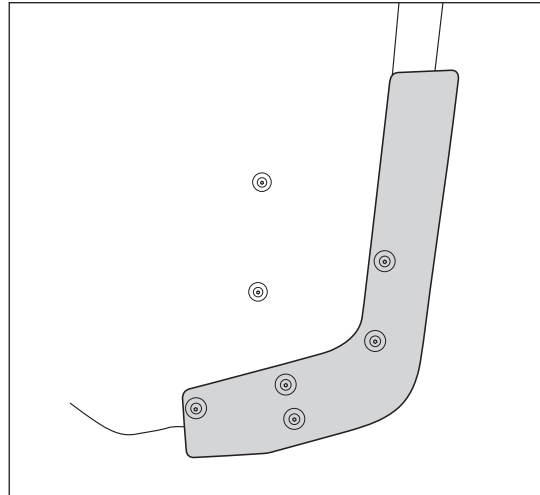


Figure 16

V. TRIMMING FLARE

1. Use templates (RH: AEV30392AA & LH: AEV30393AA) to mark cut lines on flares. Take notice of the different cut lines for ZR2 and Bison flares on the templates (fig. 17).

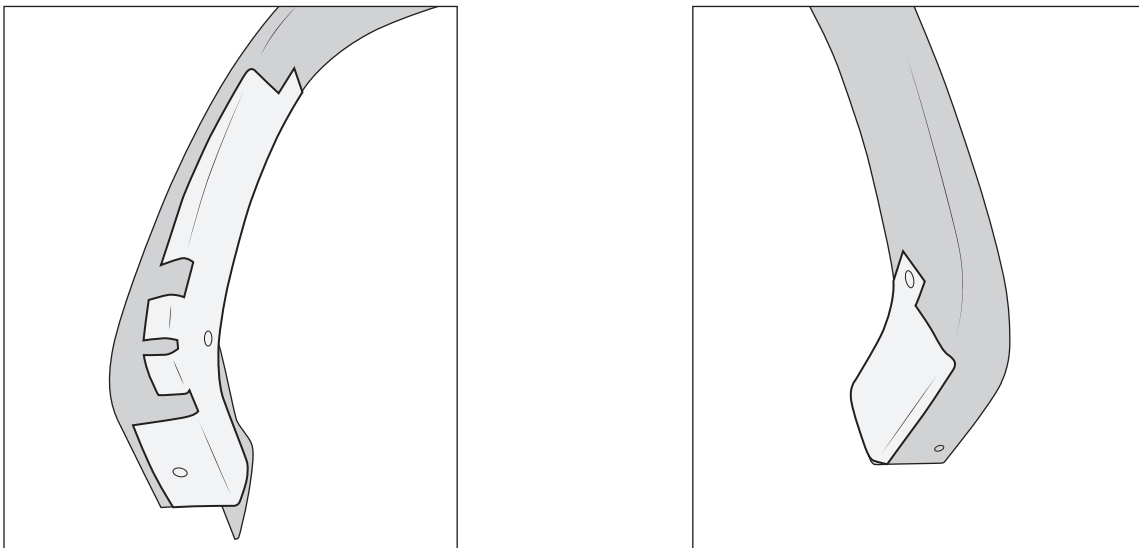


Figure 17

2. Cut along marked lines.



3. Install flare onto the vehicle, making sure that the plastic closeout panel is tucked behind the flare (fig. 18).

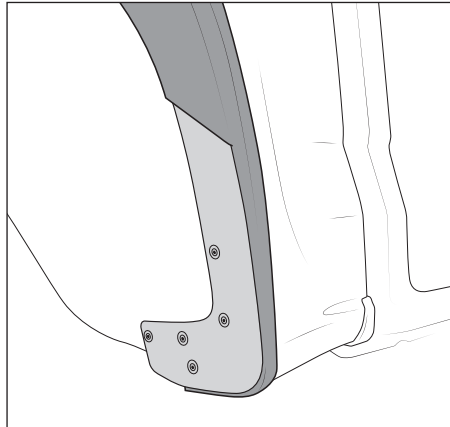


Figure 18

4. Using the closeout panel as a guide, trace along the inside of the flare to mark final cut line.
5. Make final cut and smooth any burs with a sanding disk.

VI. FINAL INSTALLATION

1. Snap fender flare back into place.
2. Secure fasteners shown (fig. 19)

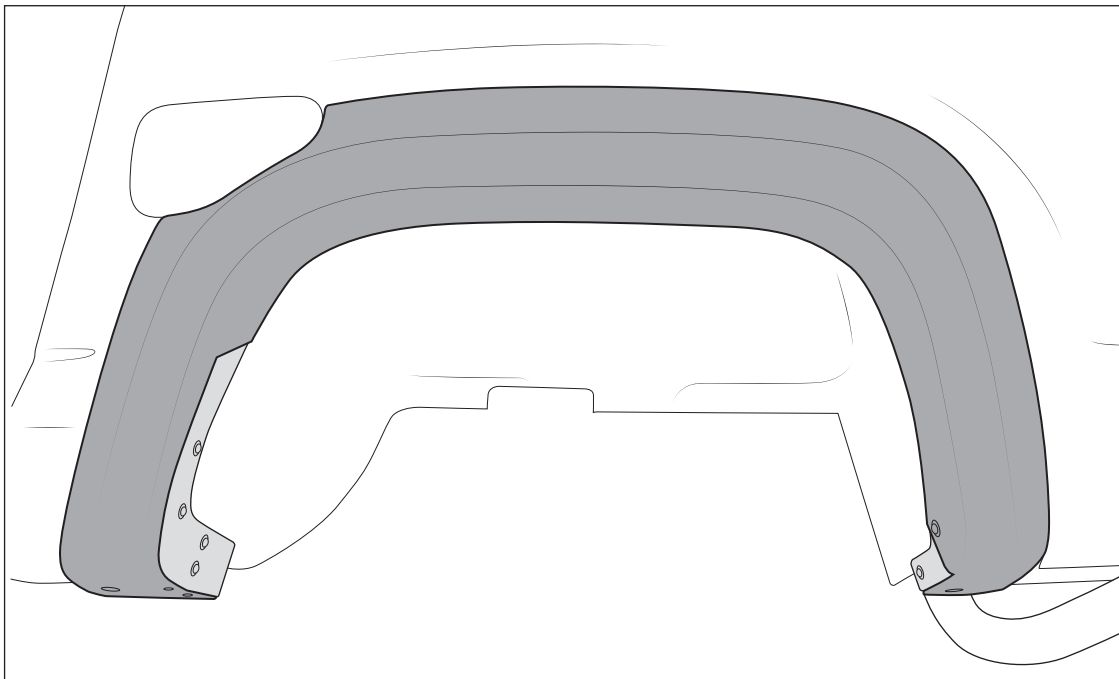


Figure 19