
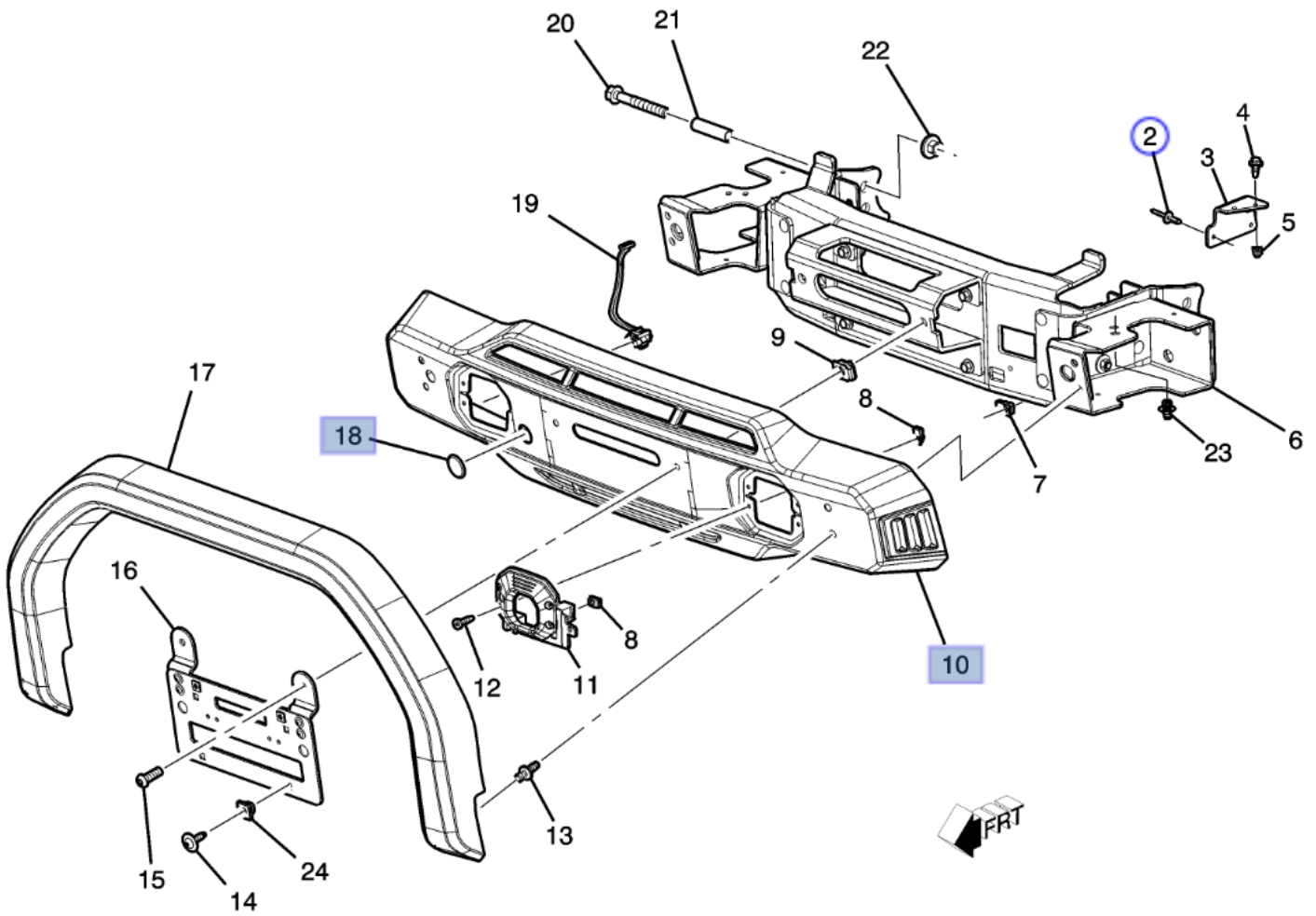


C - Chevrolet>2025>4 - 14B - Colorado>21 - ACCESSORIES>(U421-047) 2023-2025 4H FASCIA PKG/FRONT

 = Single Use Part



Make: Chevrolet

Year: 2025

Model: Colorado

C - Chevrolet>2025>4 - 14B - Colorado>21 - ACCESSORIES>(U421-047) 2023-2025 4H FASCIA PKG/FRONT

Call	Part #	Group	H	Description	Usage	Year	Qty
1		NS		FASCIA PKG, FRT BPR LWR		2023 - 2025	
2	11516807	21.149		RIVET, FRT BPR FASCIA (SINGLE USE) (PART OF 3) (BLACK) (4.8 DIA) (8.967) (SERVICEABLE COMPONENT OF FASCIA PKG 87829211/13) (Service Lane Part)	4E,4F,4G,4H (43)	2023 - 2025	AR
3	85023485	21.149		BRACKET, FRT BPR FASCIA LWR STFNR (INCLS 2,4,5,23) (CONTAINS BOTH LH & RH BRACKETS) (7.831) (SERVICEABLE COMPONENT OF FACIA PKG 85023476)	4H (43) (EXC ULV)	2024 - 2025	01
4	11610915	21.149		BOLT, FRT BPR FASCIA (PART OF 3) (M12X1.75X106,75THD) (26.6 OD) (6.174) (ACDelco #11610915) (SERVICEABLE COMPONENT OF FACIA PKG 87829213) (Service Lane Part)	4H (43)	2025 - 2025	04
4	11547755	21.149		BOLT, FRT BPR FASCIA (PART OF 3) (M4.2X1.4X20) (8.977) (ACDelco #11547755) (SERVICEABLE COMPONENT OF FACIA PKG 85023476) (Service Lane Part)	4H (43)	2024 - 2025	04
5		NS		NUT, FRT BPR FASCIA (PART OF 3)		2023 - 2025	
6	86774710	21.049		BAR, FRT BPR IMP (7.831)	4H (43) (EXC ULV)	2024 - 2025	01
7		NS		NUT, FRT BPR UPR FASCIA (PART OF 16)		2023 - 2025	
8		21.303		NUT, OFF ROAD LP BAR (PART OF 11)		2023 - 2025	
9		21.303		NUT, OFF ROAD LP BAR		2023 - 2025	
10	87829216	21.047		PLATE PKG, FRT BPR FASCIA SKID (INCLS 18) (BLACK) (7.833) (SERVICEABLE COMPONENT OF FASCIA PKG 85023476)	4H (43) (EXC ULV)	2024 - 2025	01
12		NS		BOLT, FRT BPR FASCIA (PART OF 11)		2023 - 2025	
13		NS		STUD, FRT BPR FASCIA SUPT (PART OF 17)		2023 - 2025	
14		NS		RETAINER, FRT LIC PLT (PART OF 16)		2023 - 2025	
15		NS		BOLT, FRT LIC PLT BRKT (PART OF 16)		2023 - 2025	

Call	Part #	Group	H	Description	Usage	Year	Qty
16	86774711	21.301		BRACKET, FRT LIC PLT (INCLS 7,14,15,24) (BLACK) (7.800) (SERVICEABLE COMPONENT OF FACIA PKG 87829213)	4H (43) (EXC ULV)	2025 - 2025	01
17	92513840	21.049		BAR, FRT BPR IMP (INCLS 13) (BLACK) (GRILLE GUARD) (7.831)	4H (43) (EXC ULV)	2024 - 2025	01
18	86774708	21.049		COVER, FRT BPR FASCIA TOW EYE ACC HOLE (PART OF 10) (BLACK) (7.831) (SERVICEABLE COMPONENT OF FACIA PKG 85023476)	4H (43)	2024 - 2025	01
19	85524072	21.513		HARNESS PKG, ACSRY WRG (INSTALL 0.50) (0.2828 KG) (2.480)	4E,4H (43) (W/ ACSRY HARNESS, WIRING, & OFF ROAD FRONT BUMPER FASCIA & LAMPS, FRONT GRILLE MOUNTED, OFF- ROAD & POWER DISTRIBUTION BOX)	2023 - 2025	01
19	85524072	21.513		HARNESS PKG, ACSRY WRG (INSTALL 0.50) (0.2828 KG) (2.480)	4E,4H (43) (W/ ACSRY HARNESS, WIRING, & OFF ROAD FRONT BUMPER FASCIA & POWER DISTRIBUTION BOX & LAMP KIT - OFF ROAD)	2023 - 2025	01
19	85519285	21.513		HARNESS PKG, ACSRY WRG (2.480) (SERVICEABLE COMPONENT OF LAMP KIT 84861986)	4C,4E,4G,4H (43)	2025 - 2025	01
19	85637657	21.513		HARNESS PKG, ACSRY WRG (2.480) (SERVICEABLE COMPONENT OF BLOCK ASM 86544321)	4E,4H (43)	2023 - 2025	01
21		NS		SPACER, FRT BPR FASCIA		2023 - 2025	
22	11546463	21.149		NUT, FRT BPR FASCIA (M12X1.75) (W/CON WA) (7.874) (SERVICEABLE COMPONENT OF FACIA PKGS)	4H (43)	2024 - 2025	04
23	84199172	21.149		RETAINER, FRT BPR FASCIA EXTN (PART OF 3) (TIE STRAP W/OVAL PLASTIC TREE,FITS 6X12 SLOT) (2.559) (SERVICEABLE COMPONENT OF FASCIA PKG 85023476) (Service Lane Part)	4H (43)	2023 - 2025	01
24		NS		NUT, FRT LIC PLT BRKT (PART OF 16)		2023 - 2025	