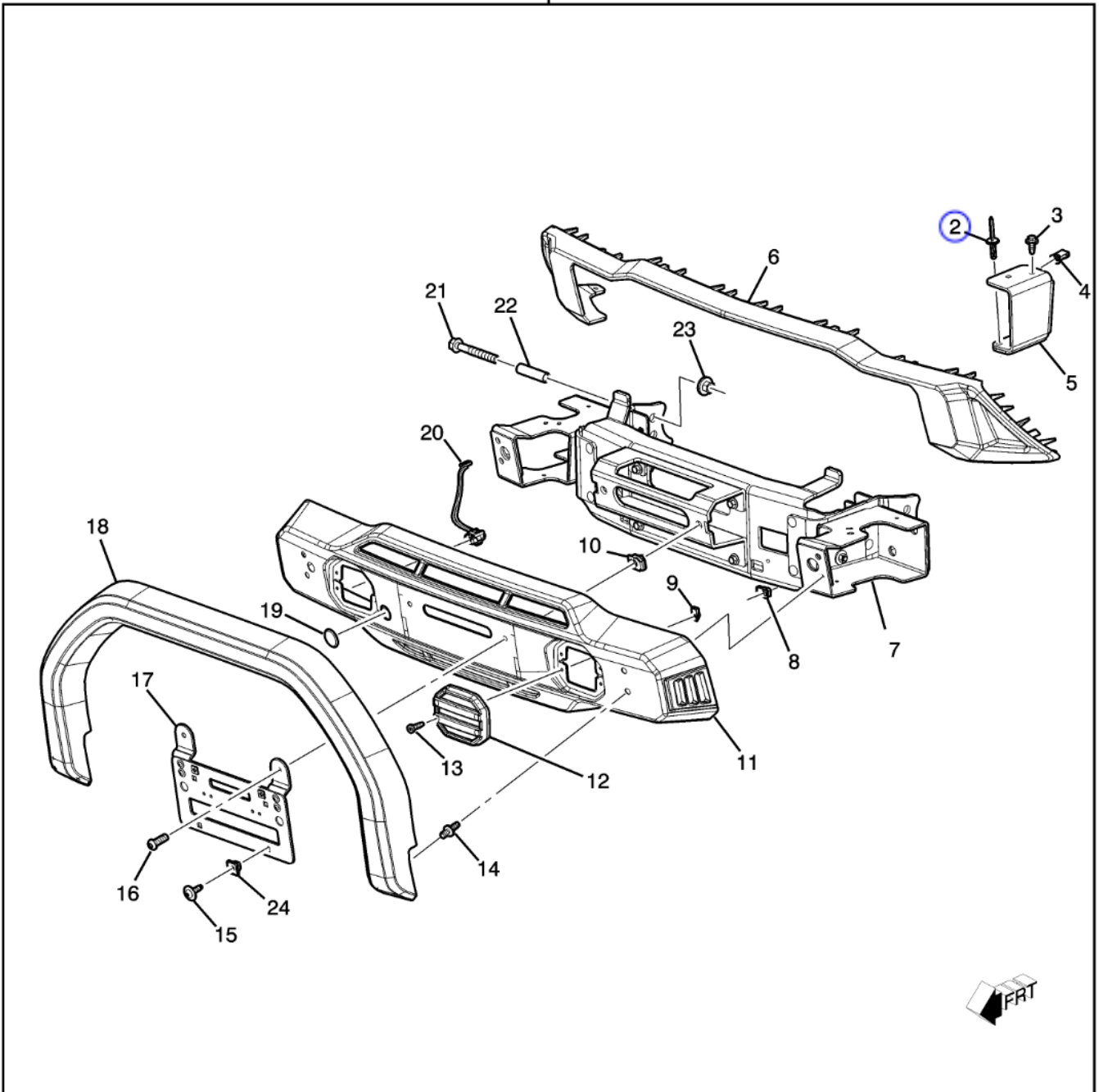


 =  Single Use Part

U421-046 07/07/2023

1



Make: Chevrolet

Year: 2024

Model: Colorado

VIN: 1GCPTEEK0R1108848

C - Chevrolet>2024>4 - 14B - 14E43 - Colorado>21 - ACCESSORIES>(U421-046) 2024 4E FASCIA PKG/FRONT

Call	Part #	Group	H	Description	Usage	Year	Qty
1	87829211	21.149		FASCIA PKG, FRT BPR LWR (INSTALL 4.00 FOR OFF ROAD BUMPER FASCIA WITH SAFARI ONLY (WITHOUT WINCH ASSEMBLY) (INCLS 2-24) (BLACK) (36.0839 KG) (7.831)	4E (43) (W/ ACSRY OFF ROAD FRONT BUMPER FASCIA)	2024 - 2024	01
2	11516807	21.149		RIVET, FRT BPR FASCIA (<i>SINGLE USE</i>) (PART OF 1,5) (BLACK) (4.8 DIA) (8.967) (SERVICEABLE COMPONENT OF FASCIA PKG 87829211/13) (Service Lane Part)	4E,4F,4G,4H (43)	2024 - 2024	AR
3	11547755	21.049		BOLT, FRT BPR LWR IMP BAR (PART OF 1,5) (M4.2X1.4X20) (8.977) (ACDelco #11547755) (SERVICEABLE COMPONENT OF FASCIA PKG 87829211) (Service Lane Part)	4E (43)	2024 - 2024	04
4	11515638	21.049		NUT, FRT BPR LWR IMP BAR SUPT REINF (PART OF 1,5) (4.2X1.41X6.1) (NUT-TYPE DL WIDE RANGE U-SHAPE) (8.921) (SERVICEABLE COMPONENT OF FASCIA PKG 87829211) (Service Lane Part)	4E (43)	2024 - 2024	04
5	85578729	21.149		BRACKET, FRT BPR FASCIA LWR STFNR (PART OF 1) (INCLS 2-4) (CONTAINS BOTH LH & RH BRACKETS) (7.831) (SERVICEABLE COMPONENT OF FASCIA PKG 87829211)	4E (43)	2024 - 2024	01
6	86774709	21.049		MOLDING, FRT BPR FASCIA (PART OF 1) (BLACK) (7.832) (SERVICEABLE COMPONENT OF FASCIA PKG 87829211)	4E (43)	2024 - 2024	01
7		NS		BAR, FRT BPR IMP (PART OF 1)		2024 - 2024	
8		NS		NUT, FRT BPR UPR FASCIA (PART OF 1)		2024 - 2024	
9		NS		NUT, FRT FOG LP OPG CVR (PART OF 1,12)		2024 - 2024	
10		NS		NUT, FRT BPR LWR FASCIA BRKT (PART OF 1)		2024 - 2024	
11		NS		PLATE PKG, FRT BPR FASCIA SKID (PART OF 1)		2024 - 2024	

Call	Part #	Group	H	Description	Usage	Year	Qty
12	42784986	21.270	R	COVER, FRT FOG LP OPG (PART OF 1) (INCLS 9,13) (BLACK) (2.722) (ACDelco #42784986) (SERVICEABLE COMPONENT OF FASCIA PKG 87829211)	4E (43)	2024 - 2024	01
12	42784987	21.270	L	COVER, FRT FOG LP OPG (PART OF 1) (INCLS 9,13) (BLACK) (2.722) (ACDelco #42784987) (SERVICEABLE COMPONENT OF FASCIA PKG 87829211)	4E (43)	2024 - 2024	01
13		NS		BOLT, FRT BPR FASCIA (PART OF 1,12)		2024 - 2024	
14		NS		RETAINER, FRT BPR IMP BAR BLACKOUT CVR (PART OF 1)		2024 - 2024	
15		NS		RETAINER, FRT LIC PLT (PART OF 1,17)		2024 - 2024	
16		NS		BOLT, FRT LIC PLT BRKT (PART OF 1)		2024 - 2024	
17	86774711	21.301		BRACKET, FRT LIC PLT (PART OF 1) (INCLS 15,24) (BLACK) (7.800) (SERVICEABLE COMPONENT OF FACIA PKG 87829211)	4E (43)	2024 - 2024	01
18		NS		BAR, FRT BPR IMP (PART OF 1)		2024 - 2024	
19	86774708	21.049		COVER, FRT BPR FASCIA TOW EYE ACC HOLE (PART OF 1) (BLACK) (7.831) (SERVICEABLE COMPONENT OF FACIA PKG 87829211)	4E (43)	2024 - 2024	01
20		NS		HARNESS PKG, ACSRY WRG (PART OF 1)		2024 - 2024	
21	11548986	21.149		BOLT, FRT BPR FASCIA (PART OF 1) (M4.2X1.41X20.8) (12.212) (SERVICEABLE COMPONENT OF FACIA PKG 87829211) (Service Lane Part)	4E (43)	2024 - 2024	08
21	11604892	21.149		BOLT, FRT BPR FASCIA (PART OF 1) (7.831) (SERVICEABLE COMPONENT OF FACIA PKG 85023476)	4E (43) (EXC ULV)	2024 - 2024	08
22		NS		SPACER, FRT BPR FASCIA (PART OF 1)		2024 - 2024	
23		21.149		NUT, FRT BPR FASCIA (PART OF 1)		2024 - 2024	
24		NS		NUT, FRT LIC PLT BRKT (PART OF 1,17)		2024 - 2024	