

Translation Update in Progress

Installation Instruction Part Number

84860391

Kit Contents

QTY.	Description
1	Mirror Lamp Attachment – LH
1	Mirror Lamp Attachment – RH
1	Installation Instructions

Required Tools

Plastic flat-bladed trim tool

Curved pick tool

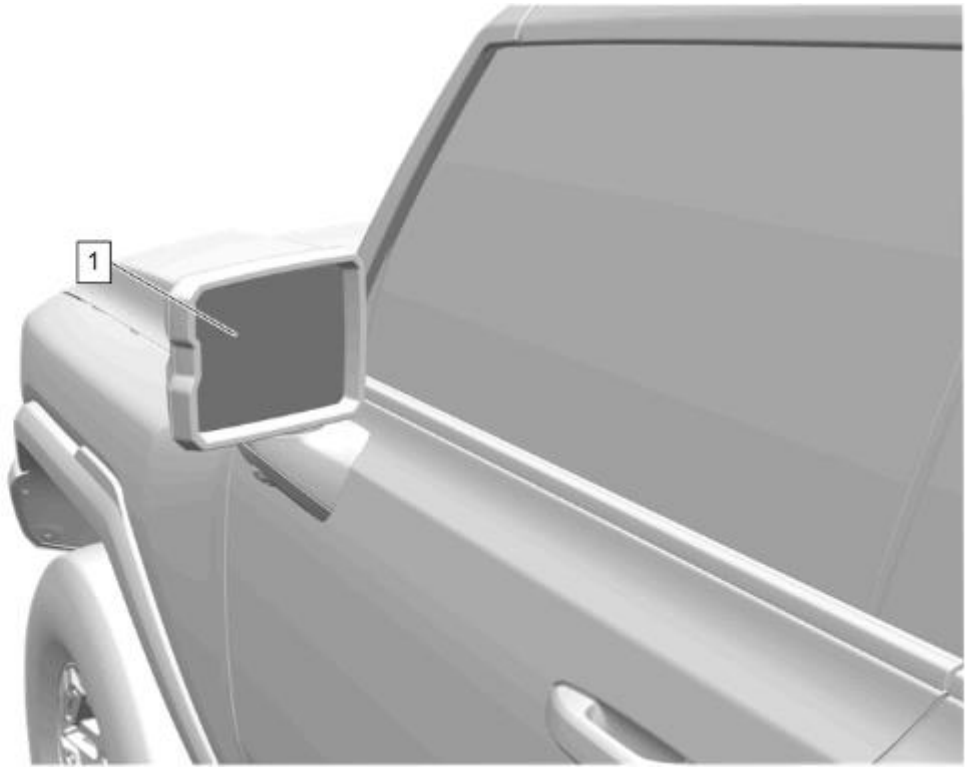
Small suitable flat-bladed tool

Procedure

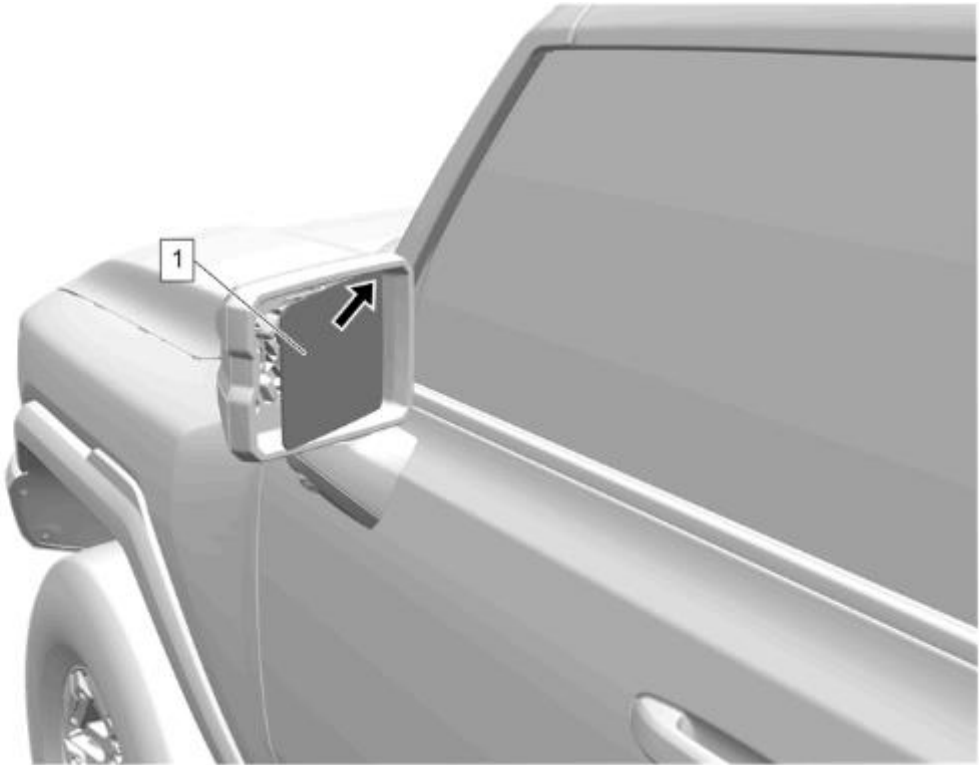
Remove Production Mirror Lamp Attachment

Caution: Care must be taken when removing the mirror glass. Proper removal is important to avoid unwarrantable damage to the mirror glass.

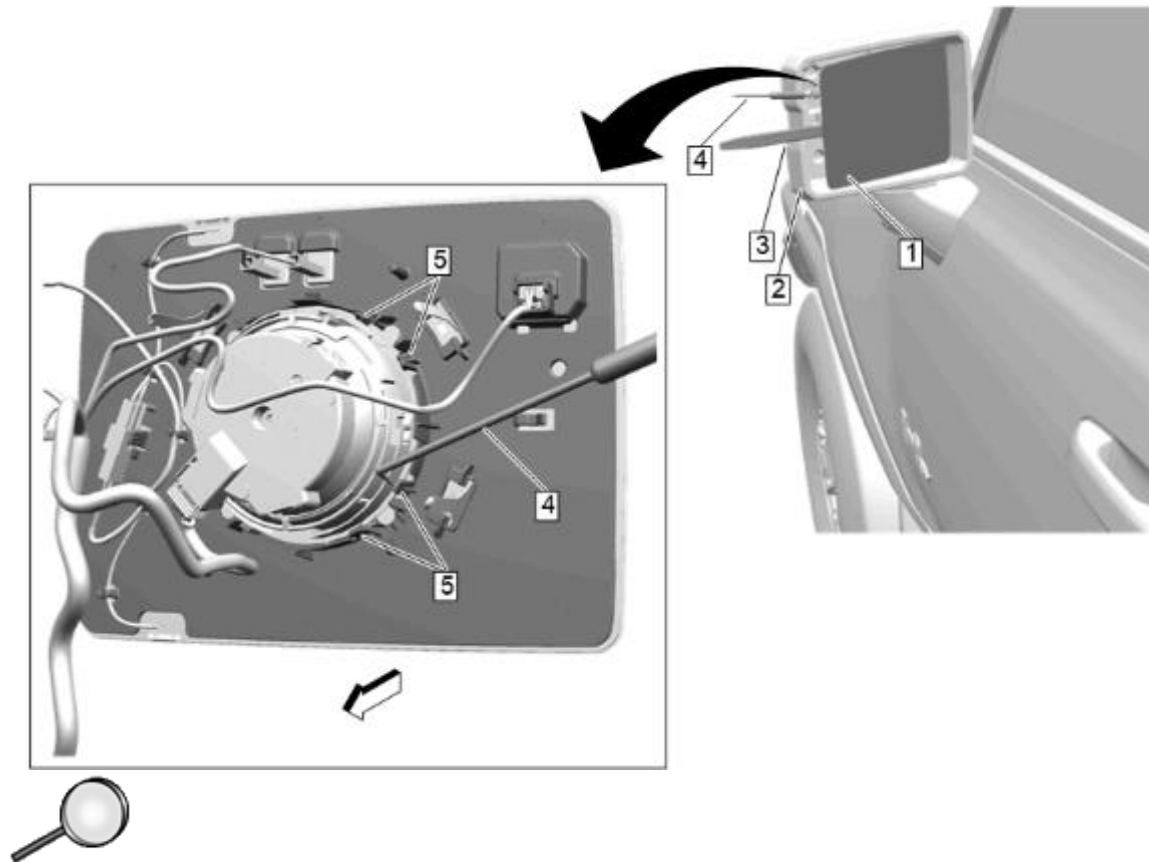
Warning: Refer to [Glass and Sheet Metal Handling Warning](#).



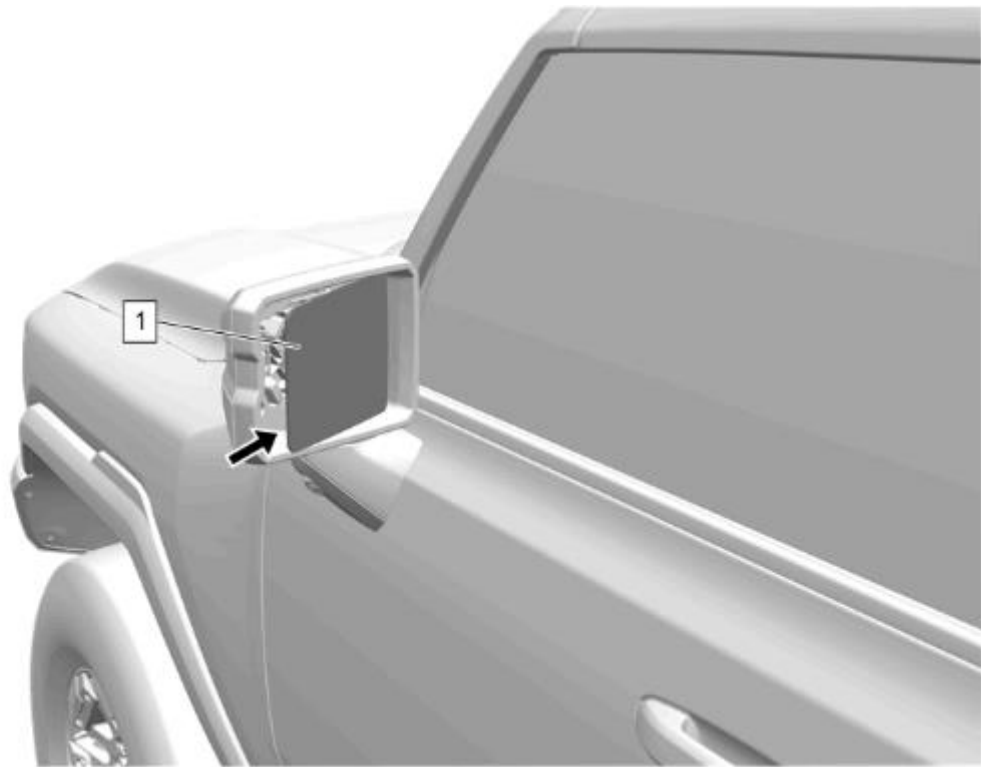
1. Apply masking tape over the outside rearview mirror glass (1) and outboard edge surface of mirror housing..



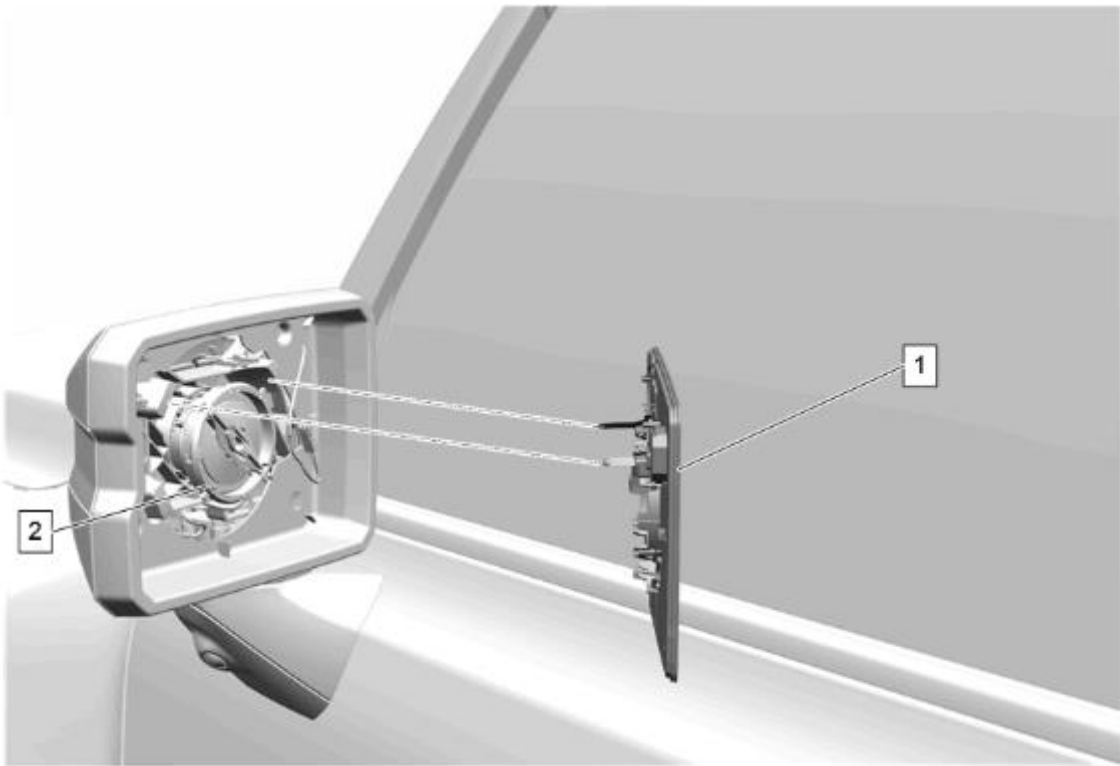
2. Apply pressure inward at the top of the outside rearview mirror glass (1) until full travel is reached.



- Note:** Curved pick tool is used to help release the mirror glass from the mirror actuator.
3. Using a plastic flat-bladed trim tool (3) and a curved pick tool (4) at the middle outboard edge, insert between the outside rearview mirror housing (2) and outside rearview mirror glass (1).
- Note:** When facing directly at the outside of mirror glass, the locking tabs (5) are approximately in the 7 and 8 O'clock positions for the lower and in the 10 and 11 O'clock positions for the upper.
4. Use the curved pick tool (4) help release the mirror glass locking tabs (5) where it attaches to the mirror actuator.

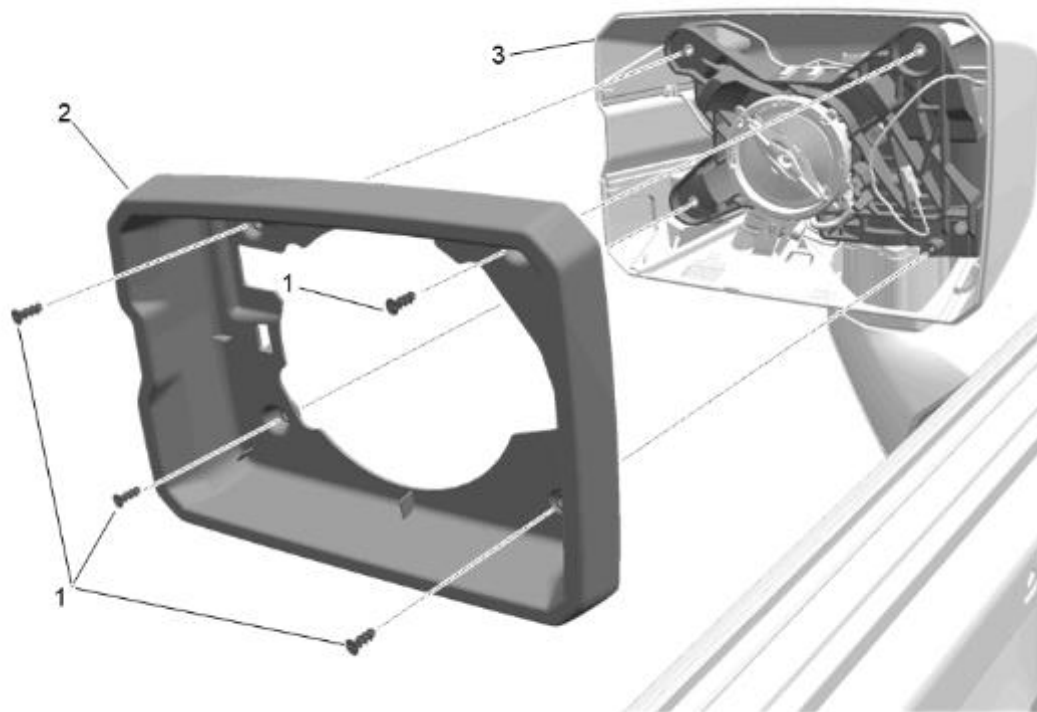


5. Firmly grasp the outer bottom edge of the outside rearview mirror glass (1).



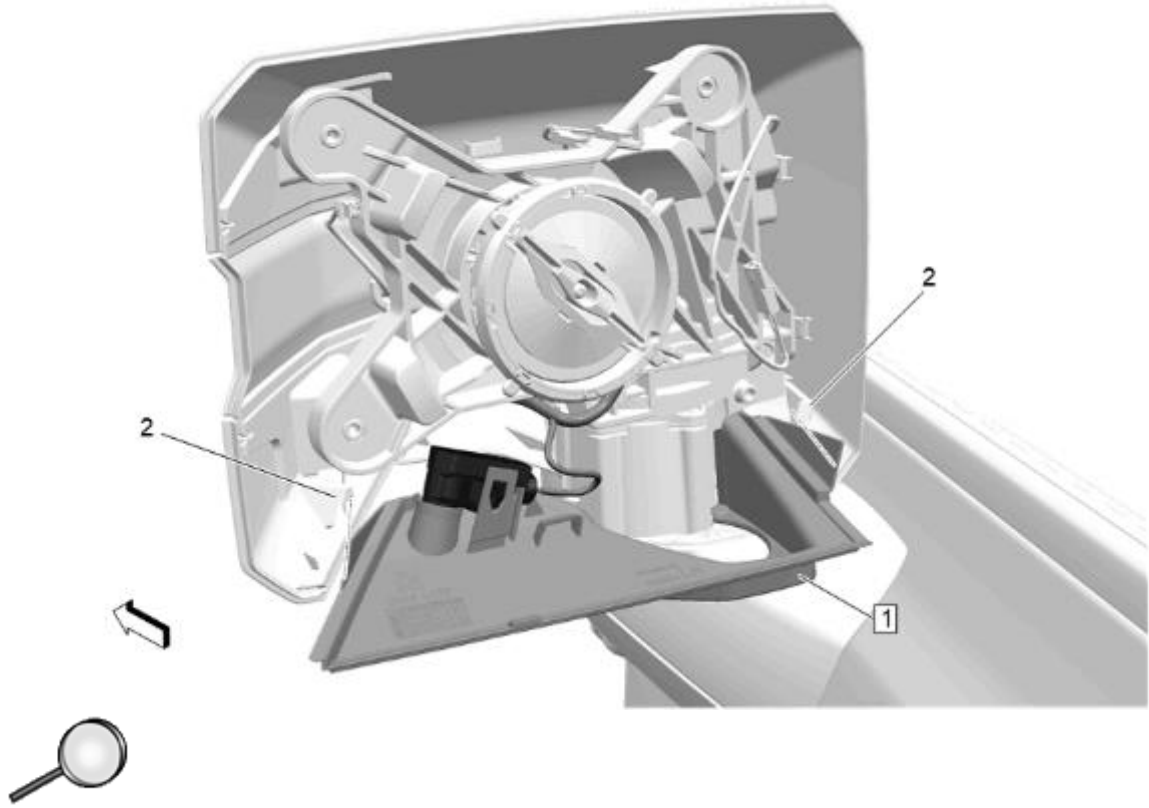
Caution: Care must be taken when removing the mirror glass. Proper removal is important to avoid unwarrantable damage to the mirror glass.

6. Retaining pressure on the outside rearview mirror glass (1), pull outward until the outside rearview mirror glass is released from the outside rearview mirror actuator (2).
7. Disconnect all electrical connectors.

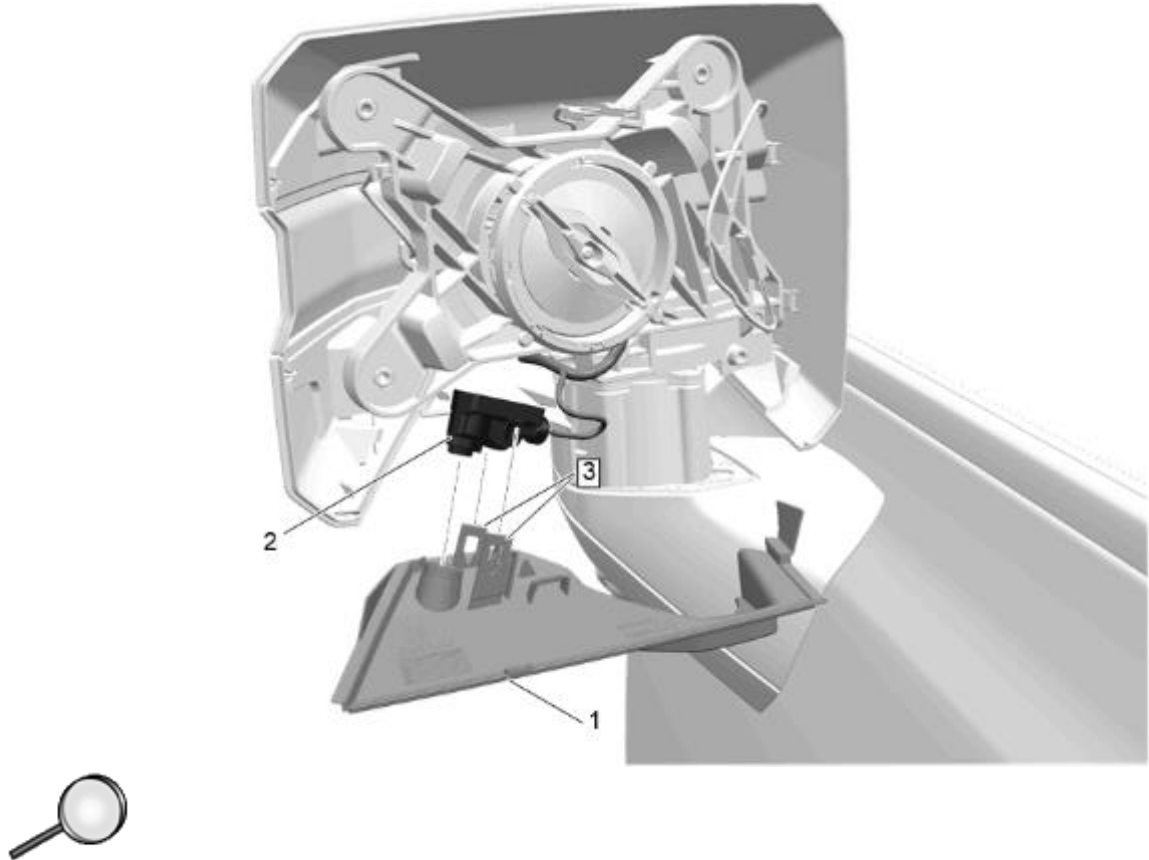


© 2025 General Motors. All rights reserved.

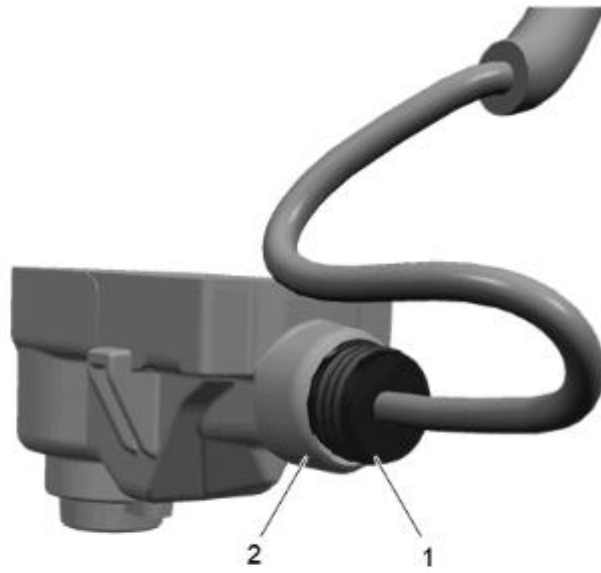
8. Remove and retain the screws (1) from rear case and remove the rear case (2) from housing (3).



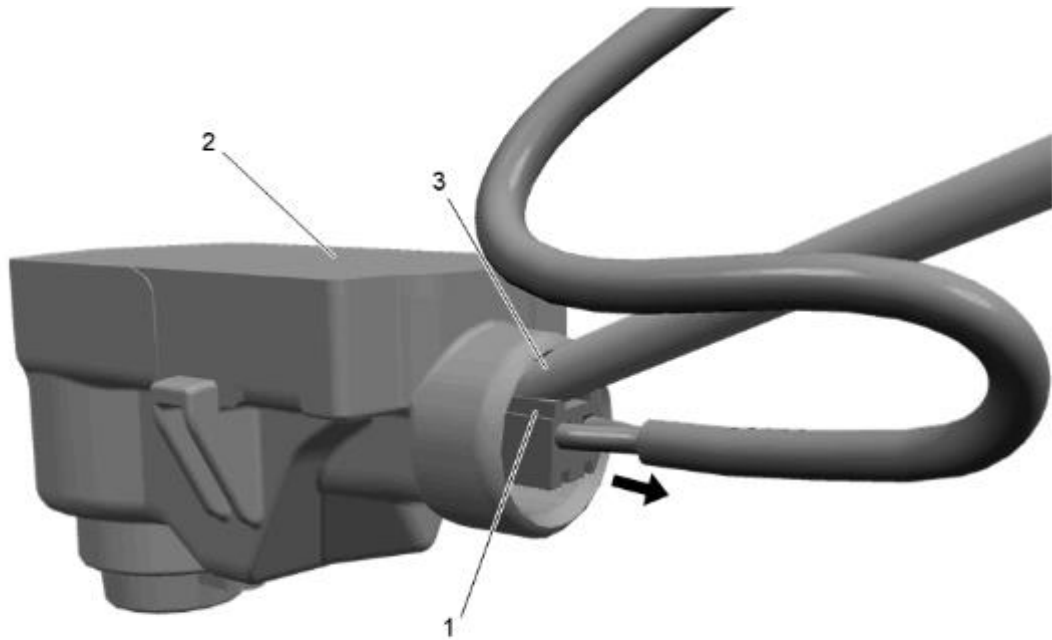
9. Disengage the housing tabs (2) and pull away the lower case (1) from housing.



10. Disengage the retaining tabs (3) and remove the mirror lamp (2) from lower case (1).

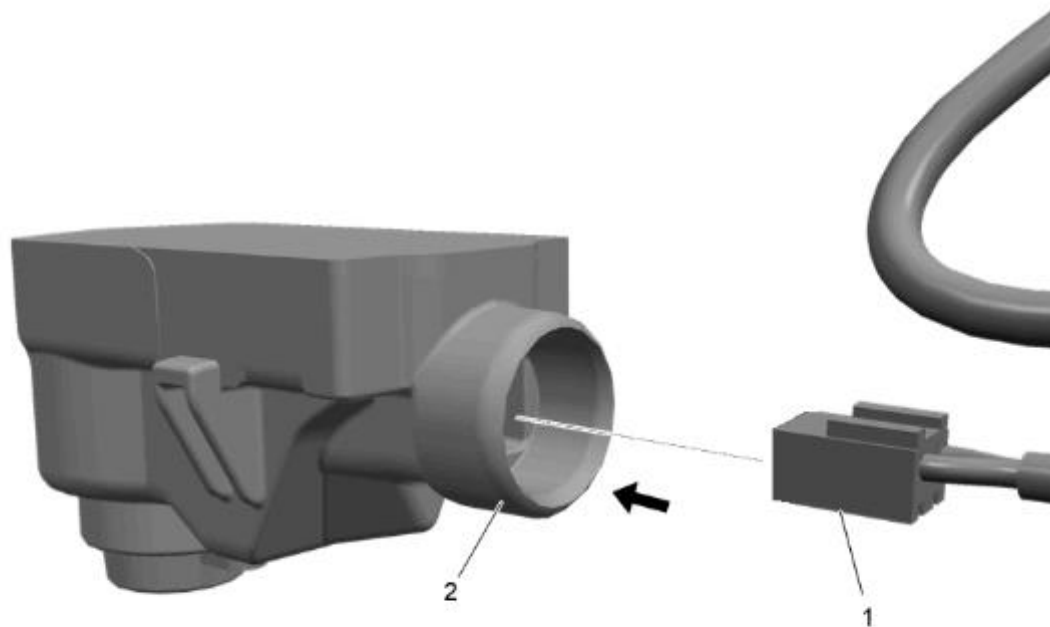


11. Remove the harness grommet (1) from mirror lamp (2) by sliding onto harness to gain access to electrical connector.



12. While holding the mirror lamp with the flat side upward (2), disconnect the electrical connector (1) using a small suitable flat bladed tool. Make sure to position the small flat bladed tool on top side of connector at an angle as shown to disengage connector lock.

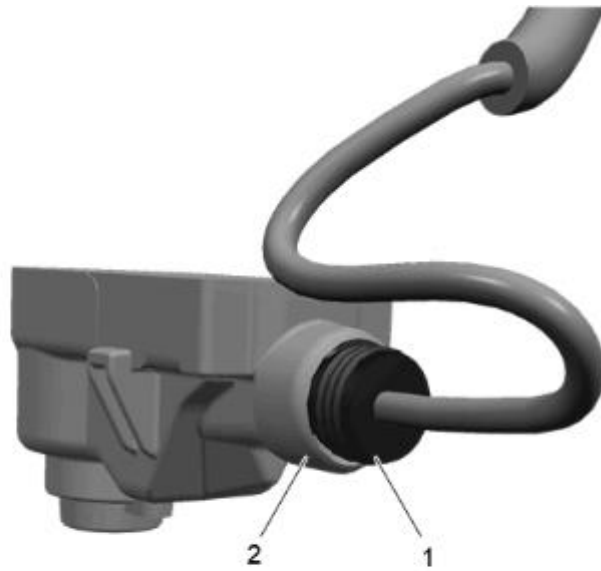
Install New Mirror Lamp Attachment



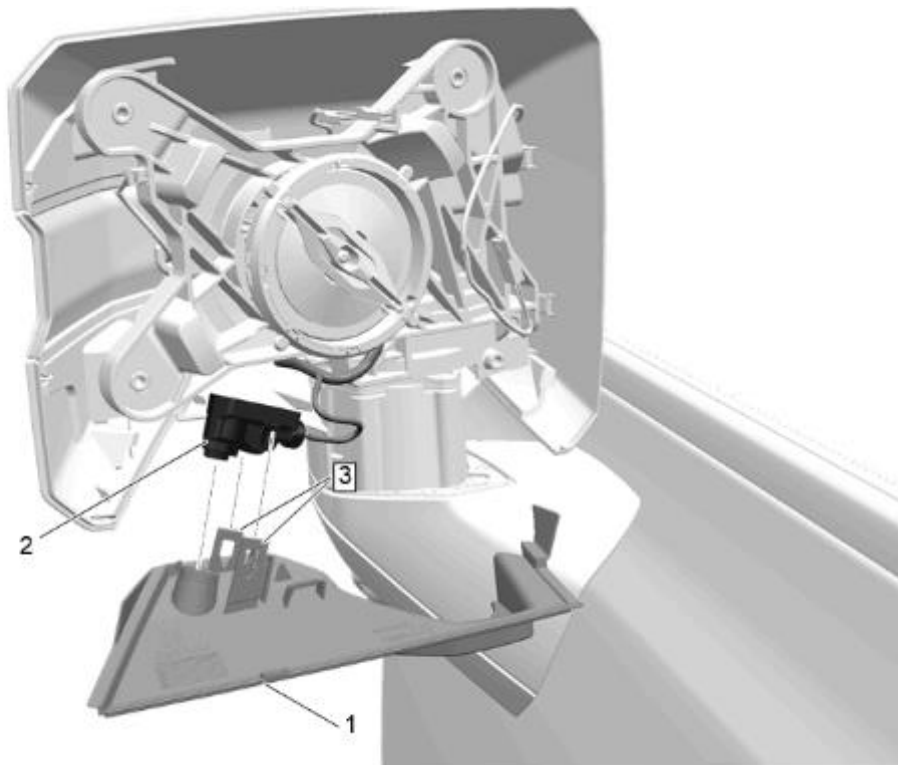
© 2025 General Motors. All rights reserved.



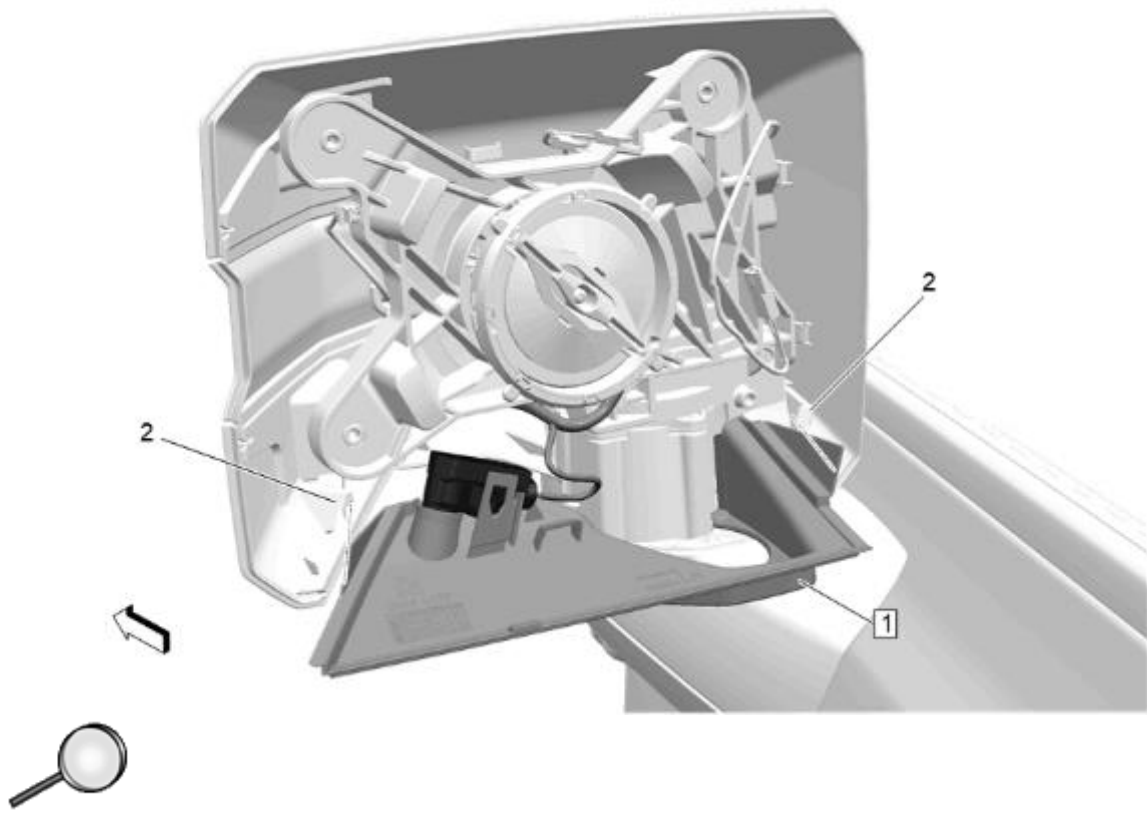
- Note:** Check part label to ensure correct orientation (LH) or (RH) of parts before installation.
1. Connect electrical connector (1) to mirror lamp (2).



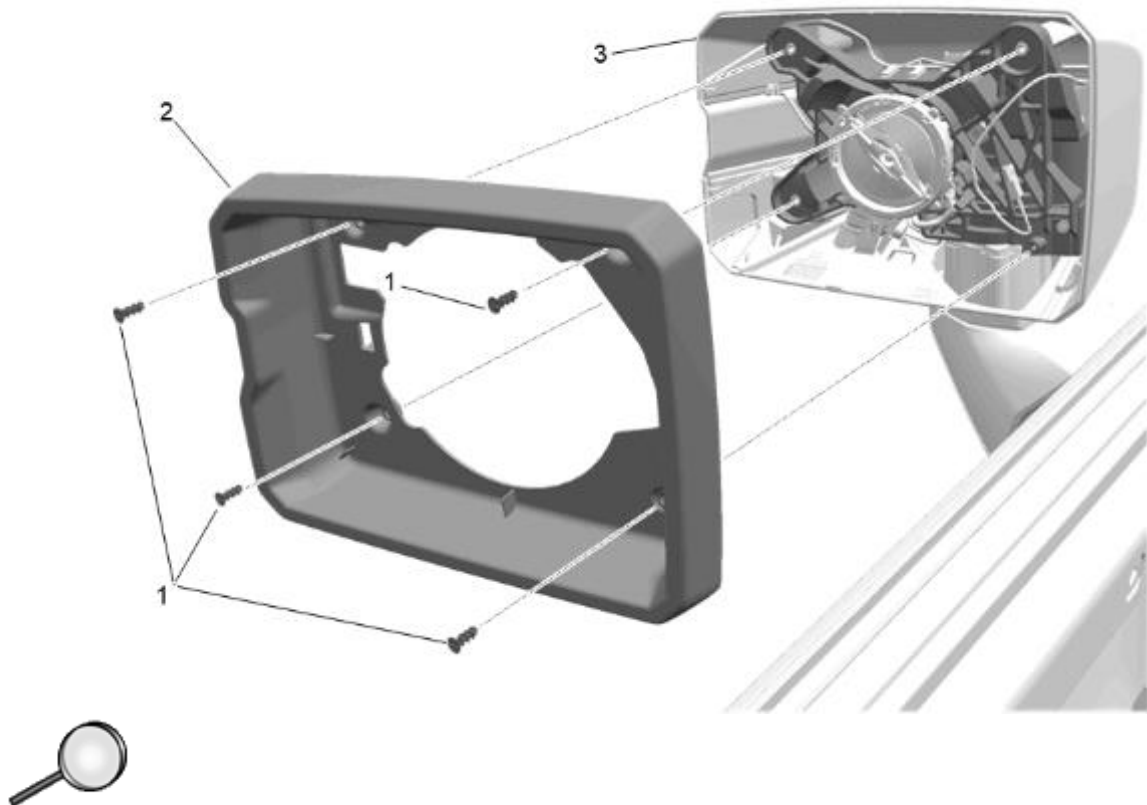
2. Slide the harness grommet (1) into mirror lamp (2) to cover electrical connector, make sure it is pushed in.



3. Install the mirror lamp (2) to lower case (1) and engage the retaining tabs (3).



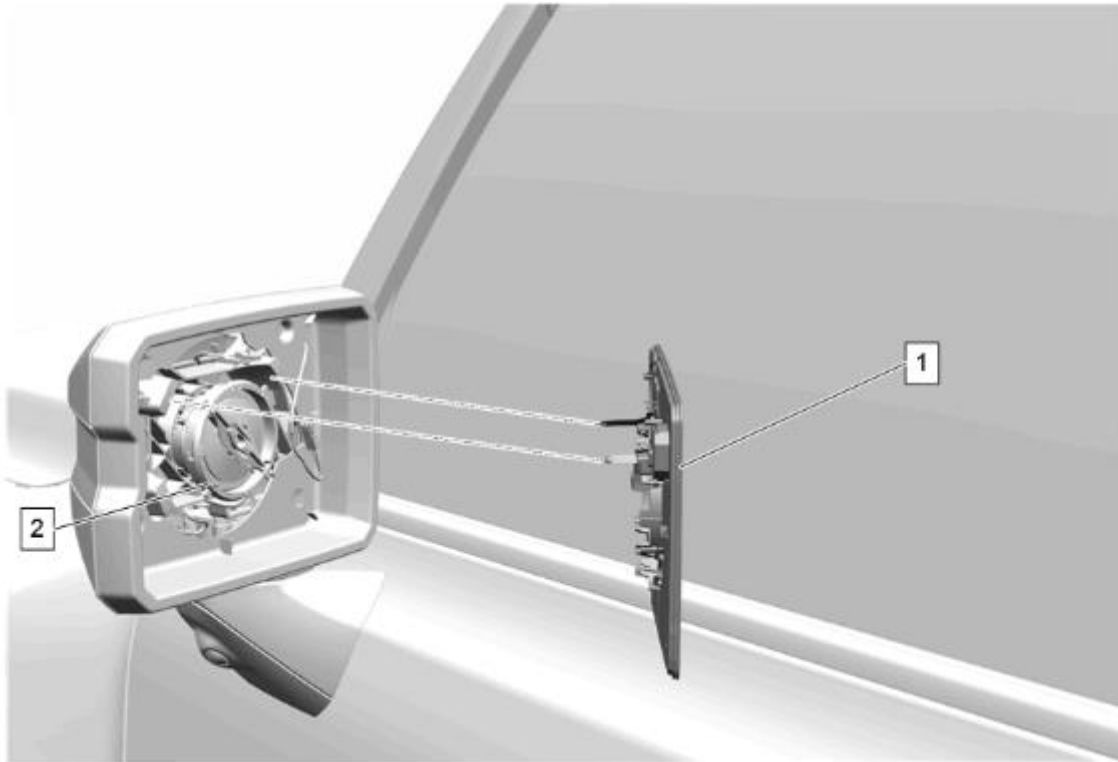
4. Install the lower case (1) to housing and engage the housing tabs (2).



Caution: Use the correct fastener in the correct location. Replacement fasteners must be the correct part number for that application. Fasteners requiring replacement or

fasteners requiring the use of thread locking compound or sealant are identified in the service procedure. Do not use paints, lubricants, or corrosion inhibitors on fasteners or fastener joint surfaces unless specified. These coatings affect fastener torque and joint clamping force and may damage the fastener. Use the correct tightening sequence and specifications when installing fasteners in order to avoid damage to parts and systems.

5. Install the rear case (2) to housing (3) and reinstall the screws (1).



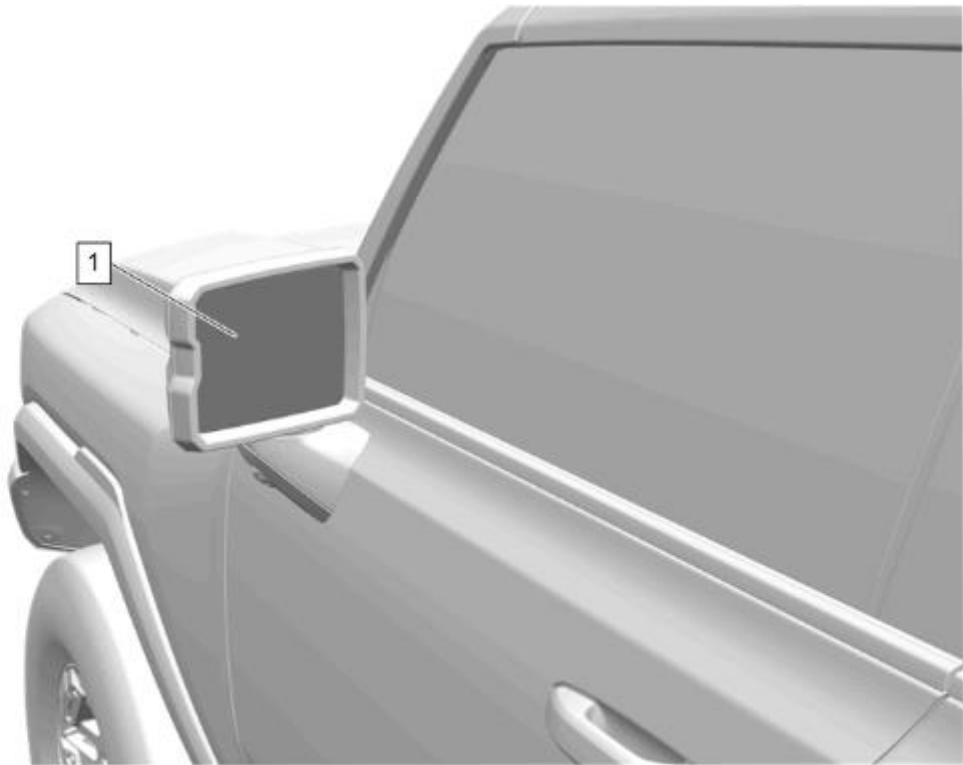
© 2025 General Motors. All rights reserved.



6. Connect all electrical connectors.

Note: Rotating the glass once installed will help identify any springs that didn't make it into the tracks as it will restrict glass movement and could cause glass not to be installed properly.

7. Carefully align the outside rearview mirror glass (1) retainers with the outside rearview mirror actuator (2) and tilt the glass up and then rotate down to ensure springs are seated in the track.



8. Remove the masking tape from the outside rearview mirror glass (1) and the outboard edge surface of the mirror housing.
9. Clean the mirror housing and mirror glass.
10. Confirm mirror lamp function by cycling unlock/lock with remote.
11. Inspect the outside rearview mirror for proper operation.
12. Repeat procedure for opposite side.