

# Keyless Entry Control Module Package Installation

## Installation Instructions Part Number

84945064

**Warning:** Please consult the parts ordering guide to ensure you are using the correct kit for the vehicle it is being installed on.

**Warning:** Please do not install the keypad on the vehicle until it has been programmed and verified working on the vehicle.

### Kit Contents

Qty	Description
1	RF Keypad Global A part number: 85539969 Global B part number: 84945062
1	User Wallet Card <b>Warning:</b> Do not lose the user wallet card, if the card is lost or missing from the kit the keypad cannot be programmed, reprogrammed or used.
1	Alcohol Wipe
1	Remote Control
1	Installation Instructions

© 2024 General Motors. All rights reserved.

### Tools Required

Measuring Tape

Masking Tape

TIS2WEB

Camera, Scanner, or equivalent

### Before You Start

**Note:** Below calibration instructions are specific to Global B vehicle architecture . **Please check Vehicle VIN to confirm Electrical Architecture:** 12th digit VIN verification is only applicable on MY 22 Sierra/Silverado Light Duty vehicles, all other vehicles need to follow keypad part numbers as stated in kit contents description.

- Global A: 12th VIN digit 4 or less
- Global B: 12th VIN digit 5 or more

**Note:** Make sure the vehicle has the latest calibrations from "K9 Body Control Module – Programming" before you commence with the keypad learn.

**Note:** For the keypad to adhere best, the vehicle's front door should be free of damage (dents, scratches, creases, fractures, etc.).

**Note: Keypad mounting and programming steps listed below are applicable to both Global A and Global B keypads.**

1. The part and surface should be 21°C (70°F) prior to installation. The vehicle should remain 21°C (70°F) for one hour after assembly to allow adhesive to develop sufficient bond strength.
2. Clean the area above the driver side door handle with alcohol wipe.

**Steps To Retrieve File From TCSC**



© 2024 General Motors. All rights reserved.

1. Technician use a QR/Bar (QRB) Code reader and scan the QRB code from the Keyless Entry Keypad Wallet Card. You can also take a picture of the QRB code.

**Note:** When taking a photo of the wallet card, be sure that the photo does not have sunlight or flash glare as pictured. The glare makes the decoding process difficult for TCSC.

2. Transfer the file from your computer (e-mail or cable transfer) to a folder.
3. Send the file and email to: TCSC ([tlweb\\_sps@dxc.com](mailto:tlweb_sps@dxc.com)) along with the vehicle VIN, Dealer BAC Code and the Authorization Code from the Wallet Card. Make sure to include the following in the subject line: "Vehicle Vin Needs Updated to add the GM RF Keypad Programming and .csv files is needed for attached QRB Code".

**Programming Keypad**

1. TCSC will send you another file back. Place this file in C:\Users\your id\sps\type4.
2. TIS2WEB should now have the "BCM Cody Control Module – Accessory only Keypad Learn" option in Supported Controllers.
3. Using TIS2WEB Program the Keypad.
4. Once TIS2WEB verifies the programming was successful, enter the 5 digit driver unlock code within 30 seconds. If the driver door unlocks, the Keypad was successfully entered.
5. Verify the keypad's functionality using the "User Instructions.

6. Place the "User Wallet Card" and the "User Instructions" in the vehicle owner's manual.

**Note:** Questions? Please call TCSC at 800-828-6860, press 1 for GM Accessories or press 3 for any programming issues (8AM to 8PM EST).

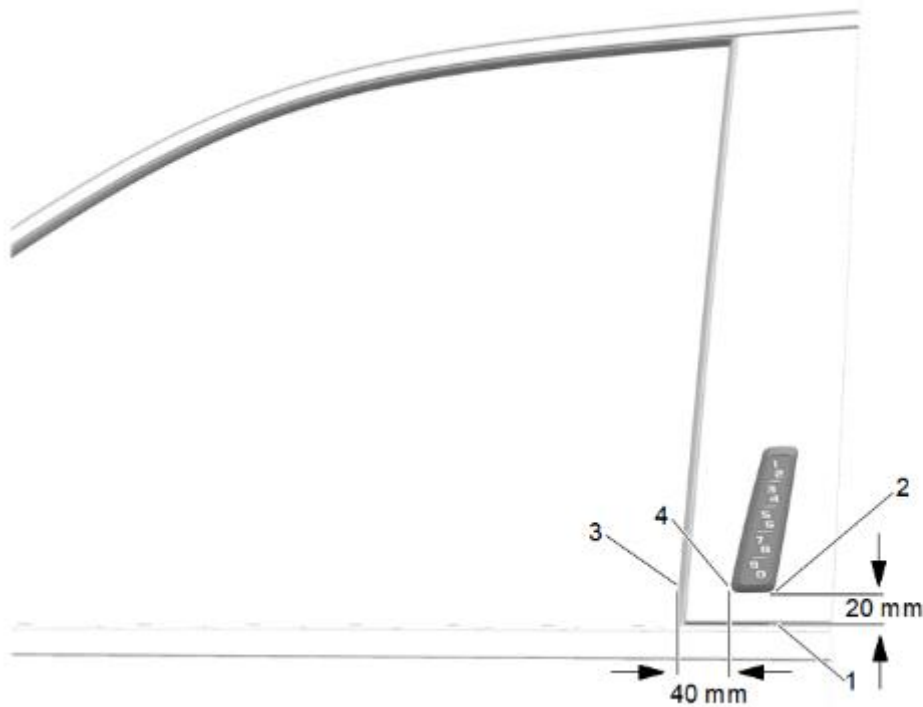
### Request For Wireless Keypad Accessory Installation

1. When sending the e-mail to TCSC make sure to add the following:

- Dealer Code or BAC
- Complete 17-Digit Vin
- Dealership Name
- Technician Name
- Contact Phone Number
- A clear photo of the wallet card must be attached to this email.

### APPENDIX A

#### Mounting The Keypad To The Vehicle



1. **Driver Side Front Door:** Starting from the top driver side front door window belt reveal molding (1) measure 20 mm up and position keypad (2).

**Note:** Use masking tape to mark dimensions.

2. Starting from the driver front side door window frame rear applique (3) measure back 40 mm and position front edge (4) of keypad.

**Note:** Use masking tape to mark dimensions.

3. Peel the protective liner from the adhesive backing on keypad and position to marked dimensions. Be careful not to touch the tape with hands and do not allow tape to come in contact with dirt or any foreign matter prior to adhesion.

**Important:** The adhesive will bond quickly to the paint. In the event that the keypad should be mis-aligned after installation, do not attempt to remove the keypad as this will cause paint damage. To avoid mis-alignment, do not drop the keypad into place. Instead, first align the top edge of the keypad to the referenced masking tape, then right outer edge to referenced masking tape. Then, toggle the keypad into place. Once the keypad is in place, press firmly on the entire surface of the keypad and then apply 15 PSI of equal pressure along the entire keypad to ensure good tape adhesion.