

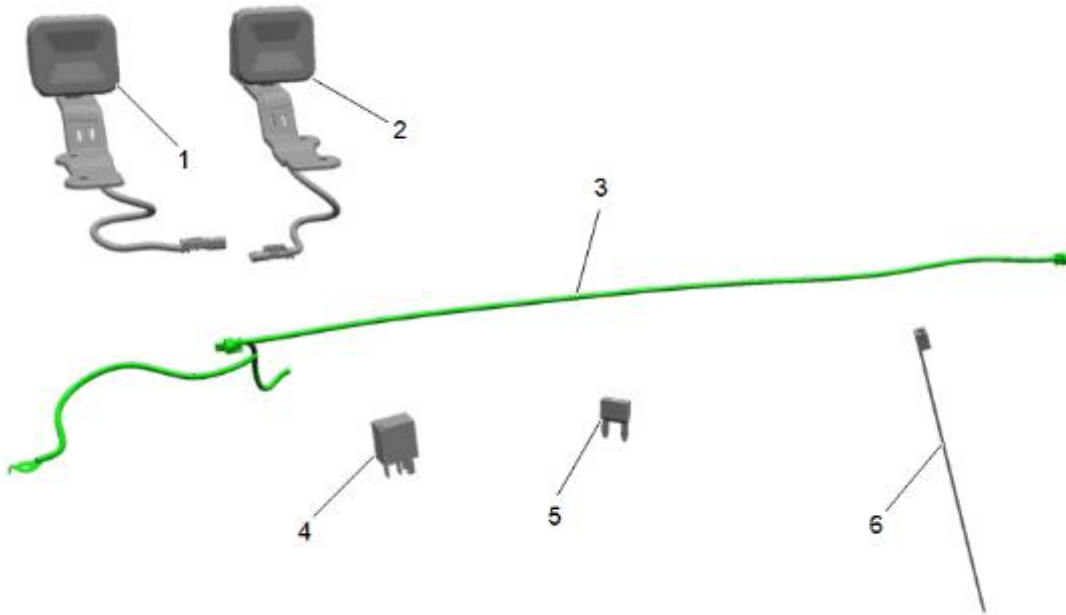
Spot Lamp Kit Installation

Table 1: [Kit Contents](#)

Table 2: [Accessory VBP Fuse Box Reference](#)

Installation Instructions Part Number

84861966

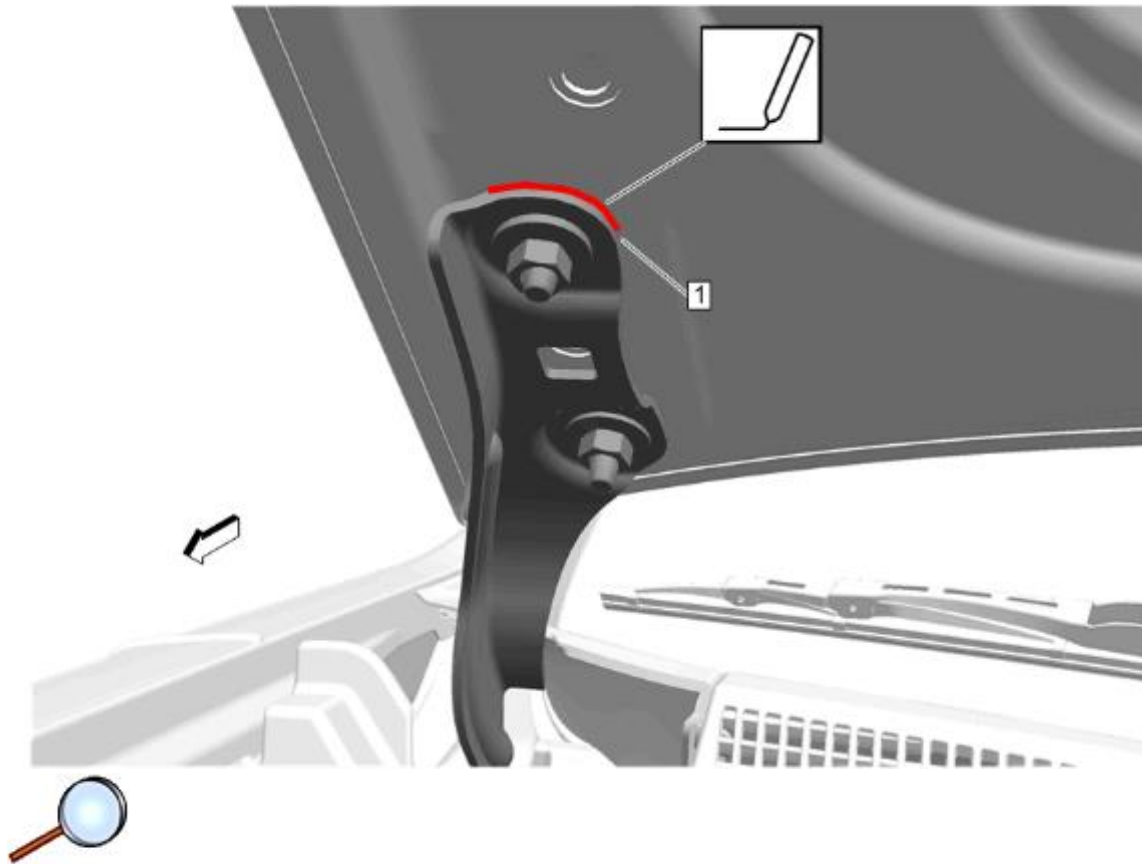


© 2024 General Motors. All rights reserved.

Kit Contents

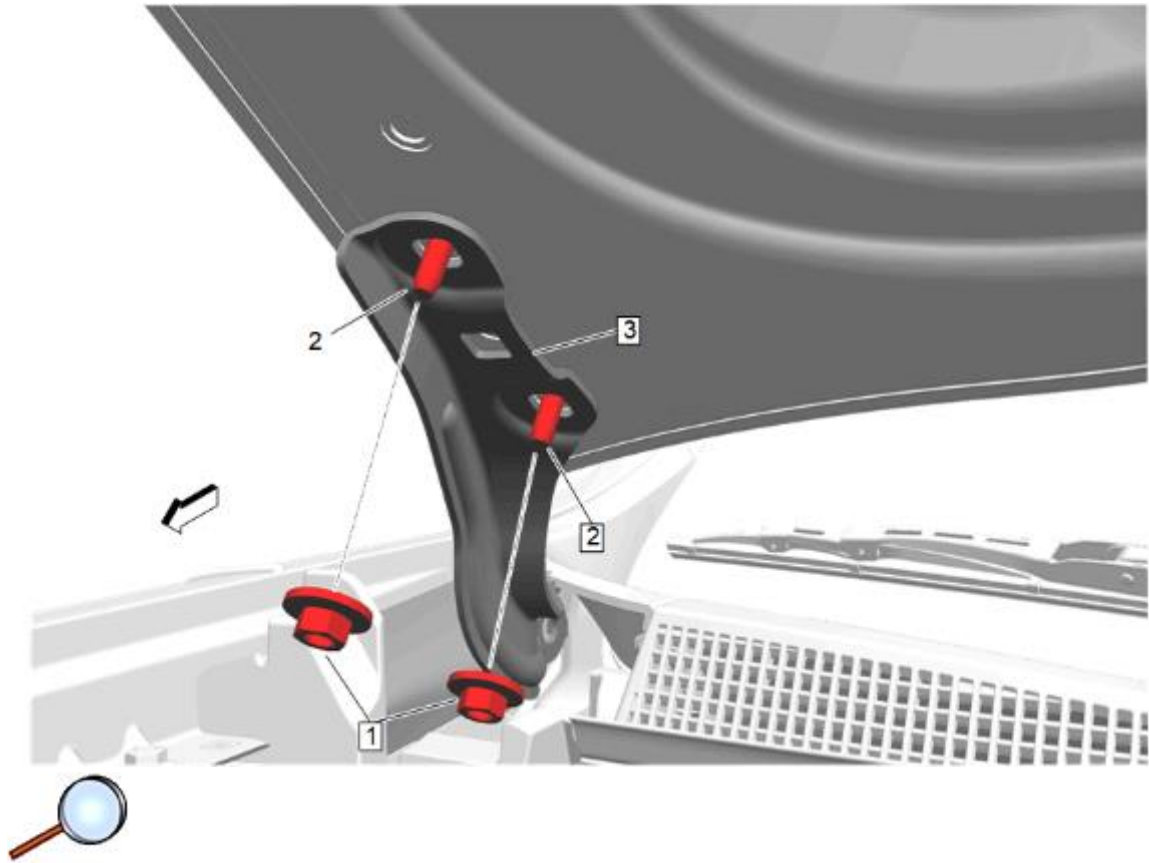
Item	Qty	Description
1	1	Lamp – RH
2	1	Lamp – LH
3	1	Wire Harness
4	1	Relay
5	1	15A Fuse
6	10	Tie Strap
-	4	Class 10.9 hood nut
-	1	Instruction Sheet

Procedure



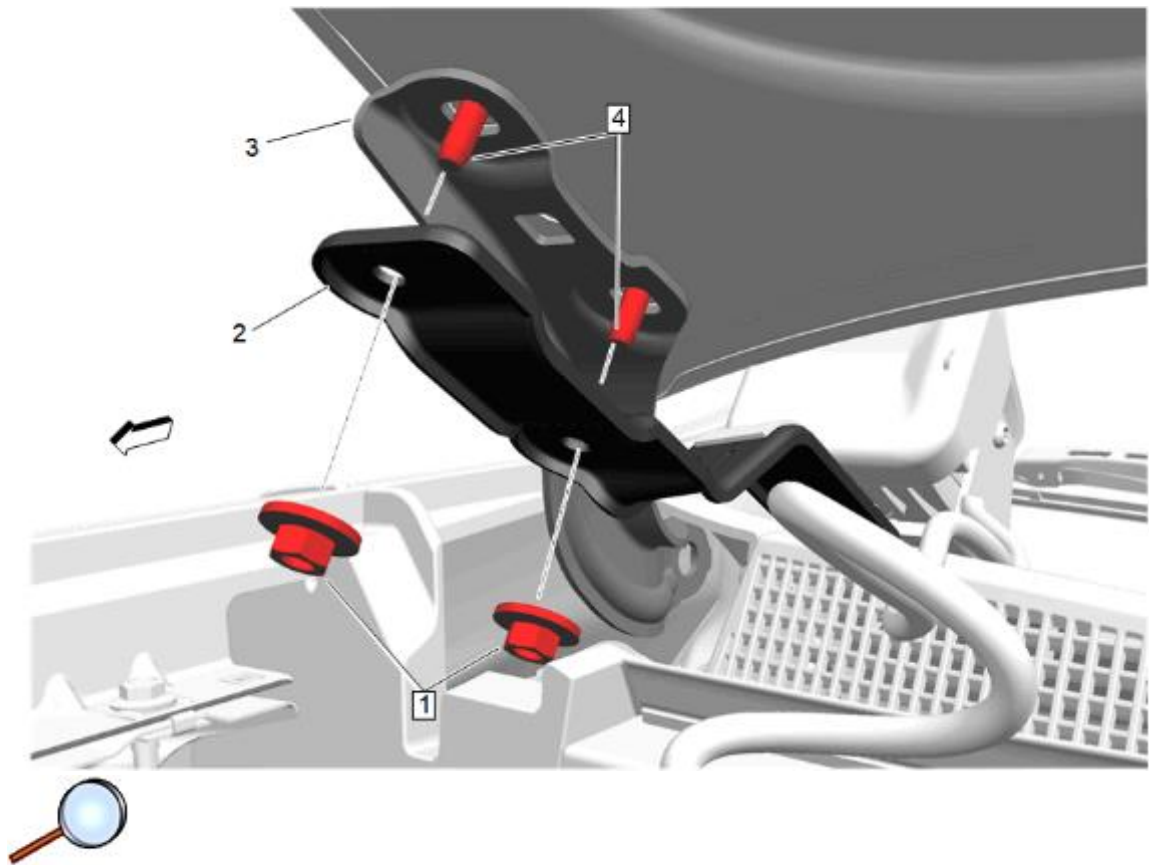
© 2024 General Motors. All rights reserved.

1. Open hood and use the prop to keep in place.
2. Mark the top perimeter (1) where the hood hinge meets the hood inner panel. Repeat for opposite side.



Note: Do not remove hood hinge nuts on opposite side at this time.

3. While holding rear corner of hood in place, remove the nuts (1) from the studs (2) and hood hinge (3).

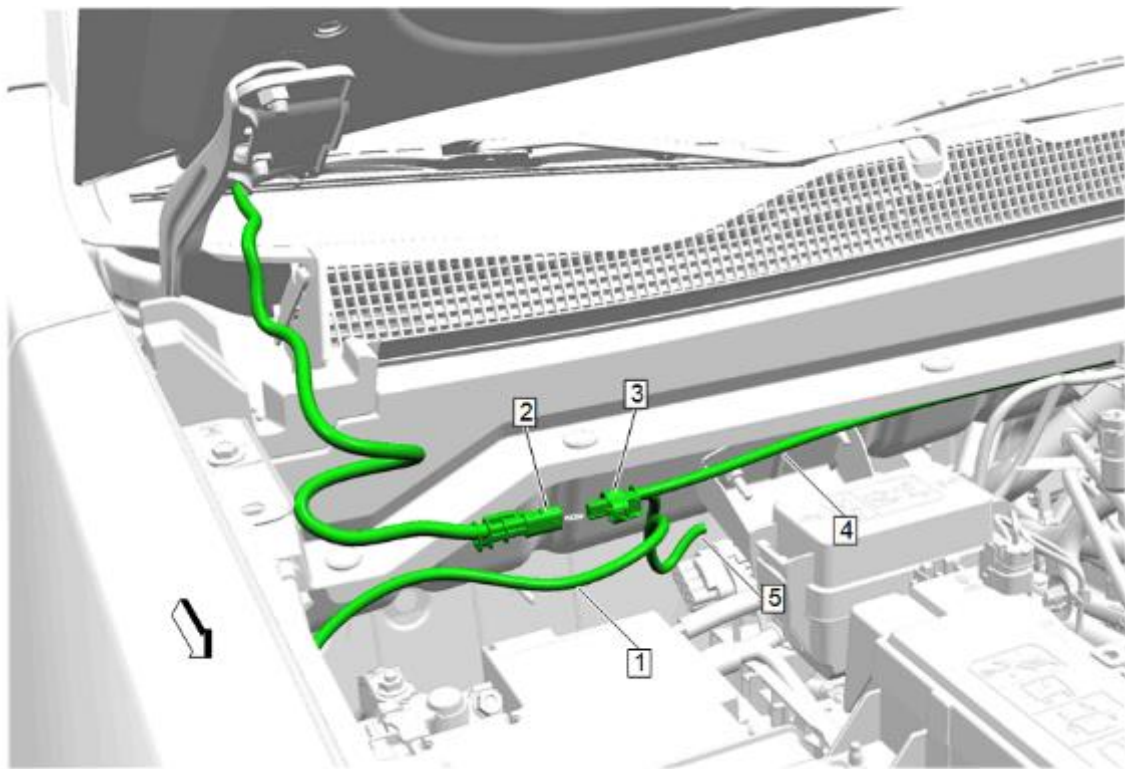


4. Position the appropriate lamp assembly between the windshield and hood to get the bracket (2) under the hood.
5. Align the bracket (2) to the studs (4) while placing against hood hinge (3).

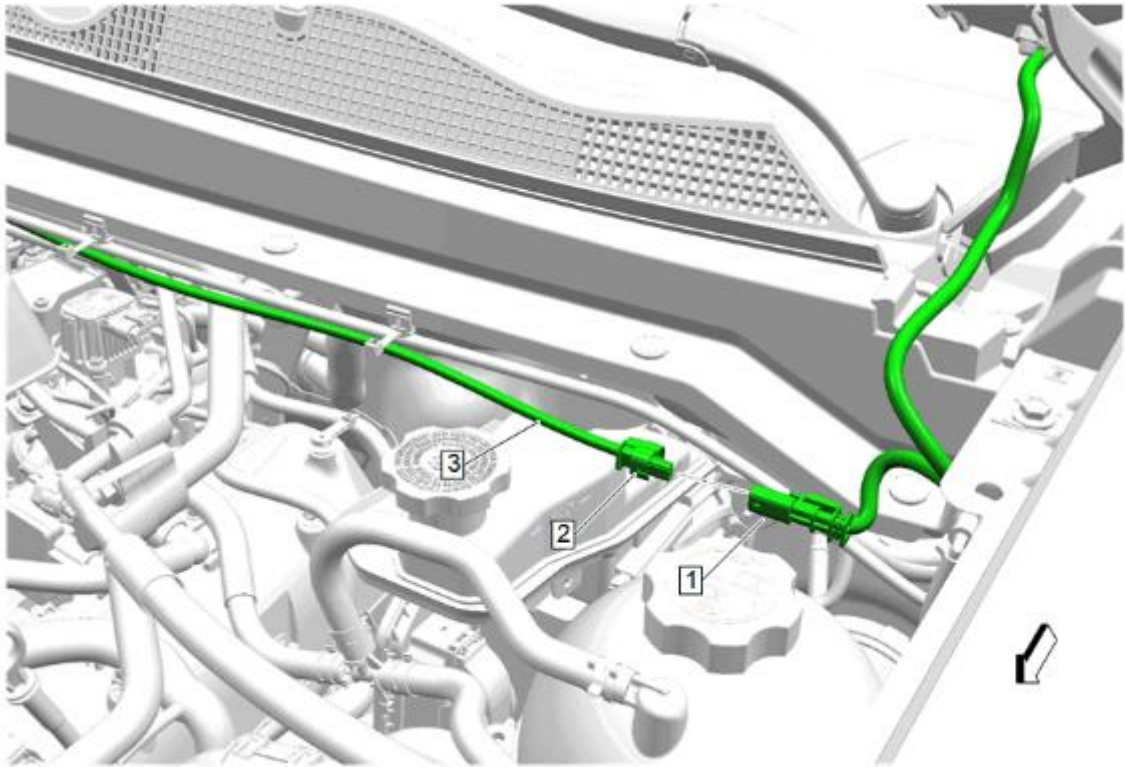
Caution: Use the correct fastener in the correct location. Replacement fasteners must be the correct part number for that application. Fasteners requiring replacement or fasteners requiring the use of thread locking compound or sealant are identified in the service procedure. Do not use paints, lubricants, or corrosion inhibitors on fasteners or fastener joint surfaces unless specified. These coatings affect fastener torque and joint clamping force and may damage the fastener. Use the correct tightening sequence and specifications when installing fasteners in order to avoid damage to parts and systems.

Note: Make sure hood hinge aligns to marks previously created in step 2 before tightening nuts.

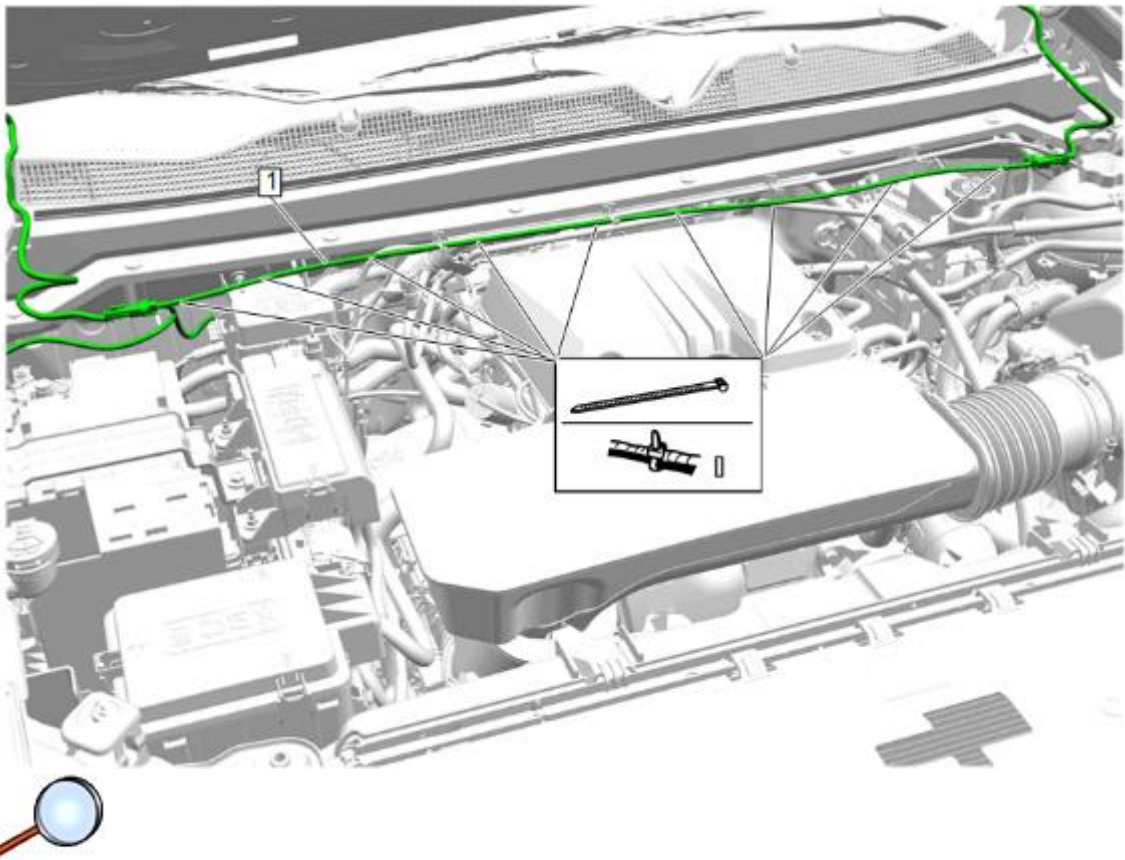
6. Install the provided nuts (1) to the hood hinge studs (4) and tighten to 22 +/- 3 N.m (16 lb ft).
7. Repeat steps 3 through 6 for opposite side lamp.



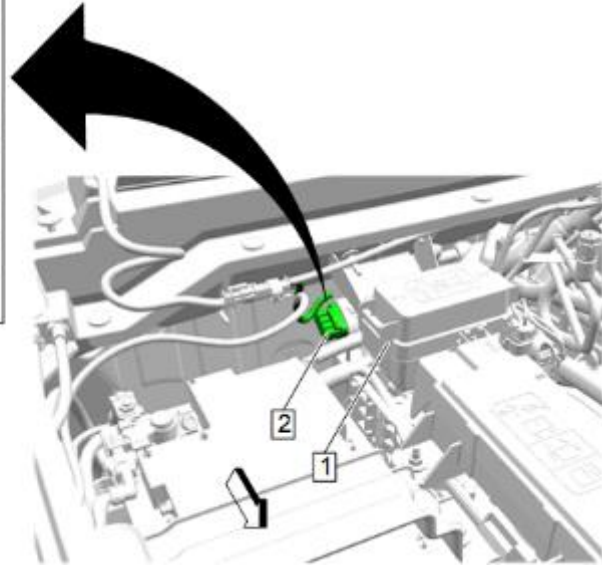
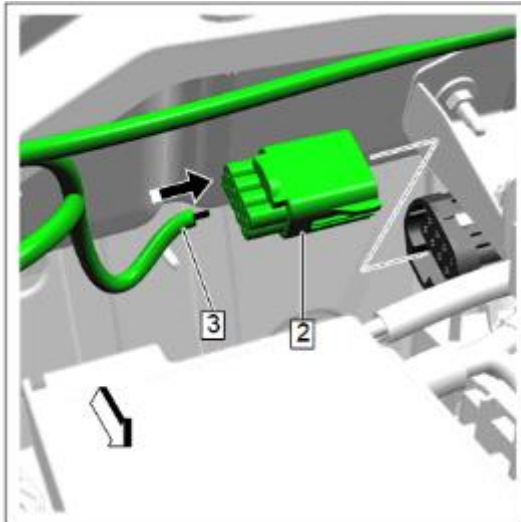
8. Locate harness (4) in kit and ensure splices for power (5) and ground (1) are on the passenger side of vehicle.
9. Connect passenger side lamp electrical connector (2) to harness electrical connector (3).



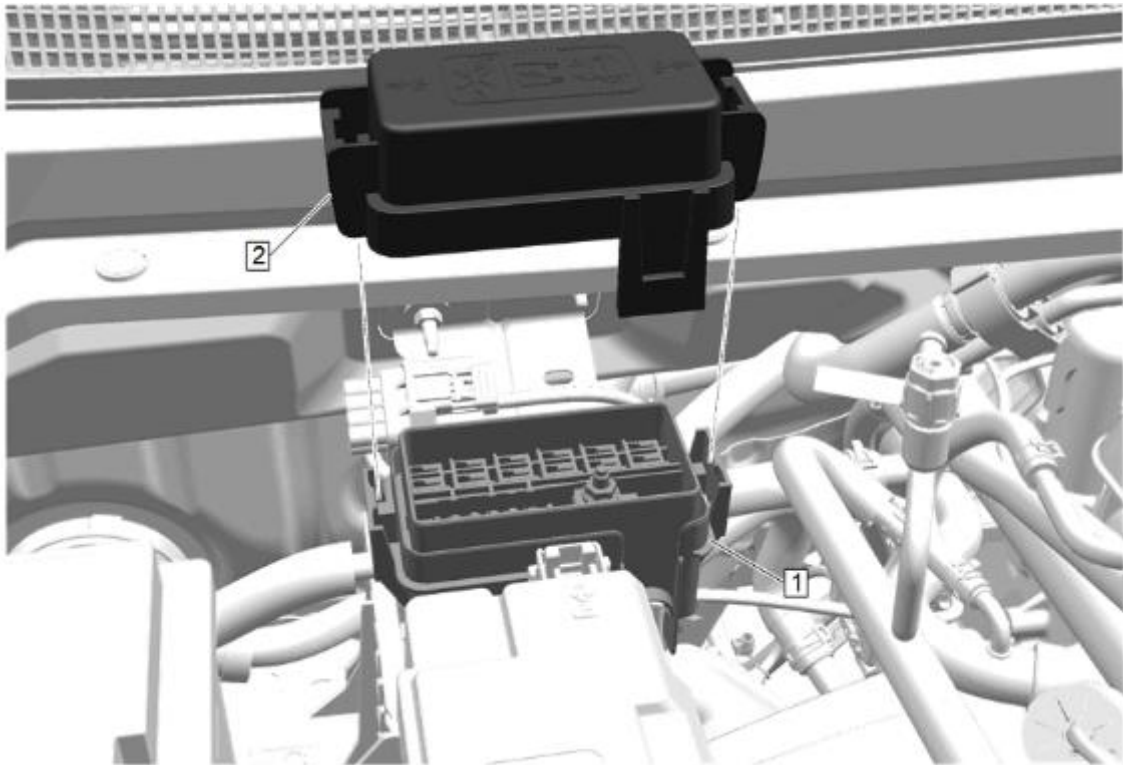
10. Continue to route harness (3) to driver side of vehicle and connect driver side lamp electrical connector to harness electrical connector (2).



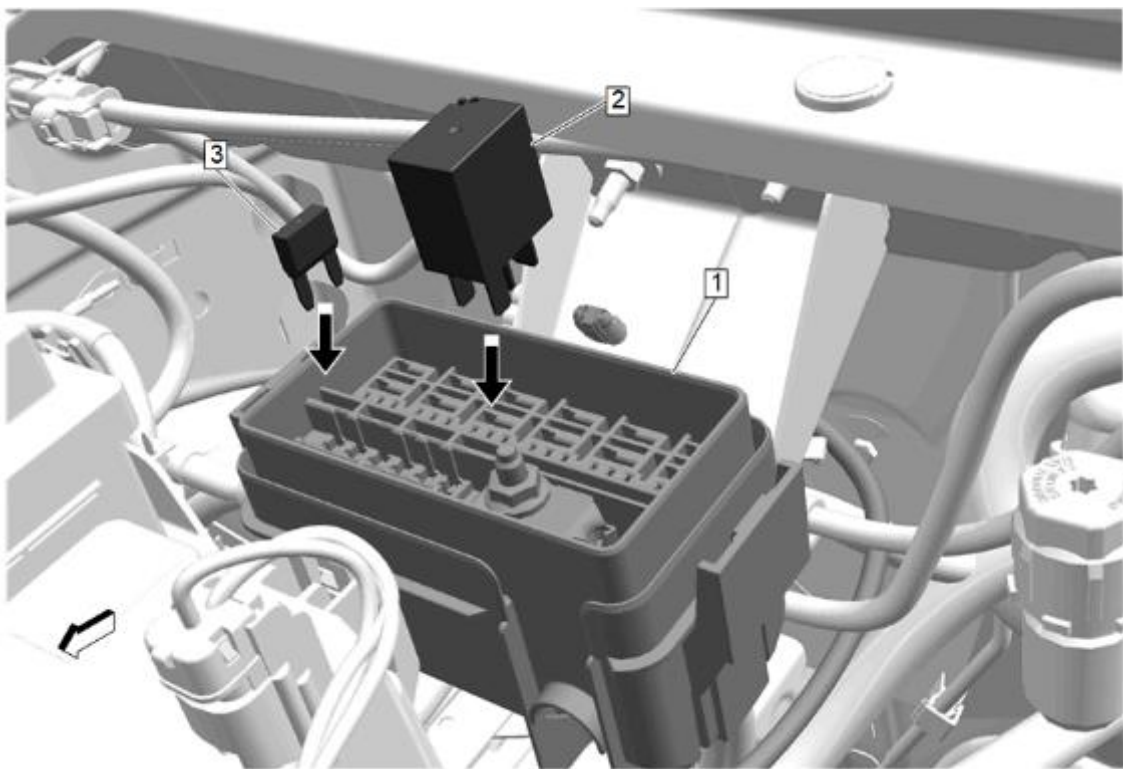
11. Secure harness (1) to existing harness under the air inlet panel using supplied tie straps every 200mm.



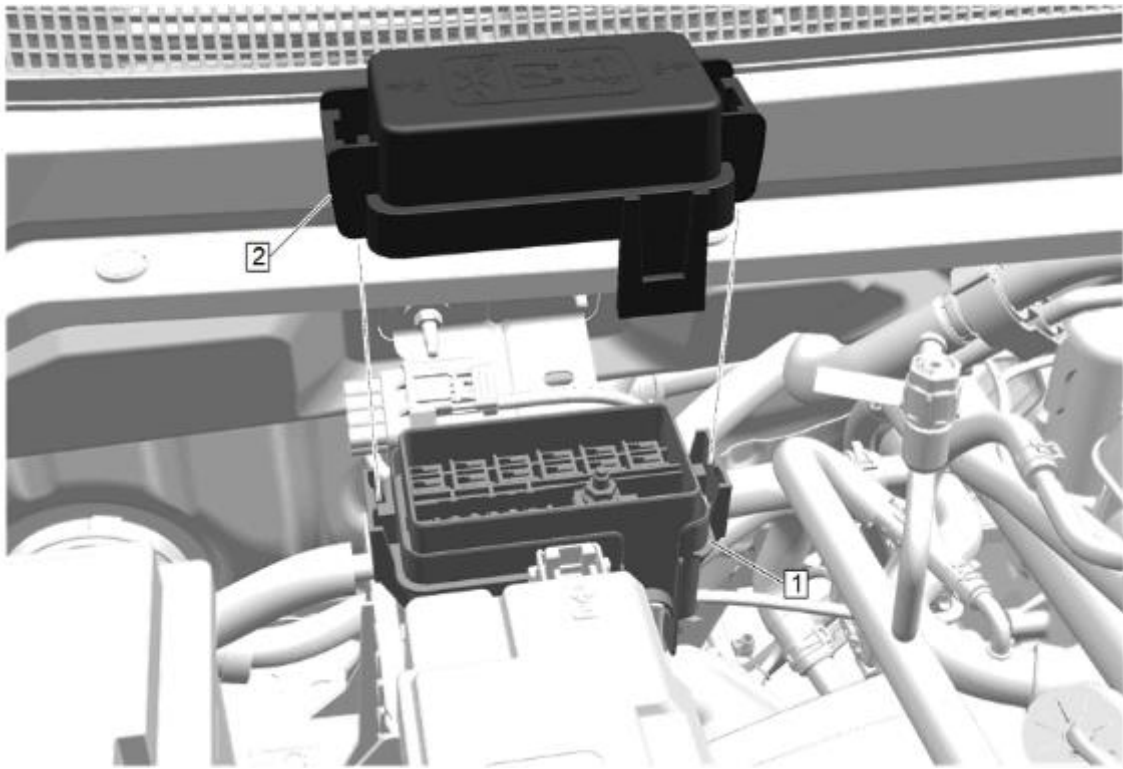
12. Locate the 8-way connector (2) at the back of the accessory VBP use box (1). Disconnect the 8-way connector (2) and insert wire harness terminal end (3) into the appropriate cavity of connector defined by accessory VBP fuse box, refer to [Accessory Wiring Junction Block Package Installation](#) and VZJ switch instruction, refer to [Auxiliary Multifunction Switch Package Installation](#). Re-connect 8-way connector (2).



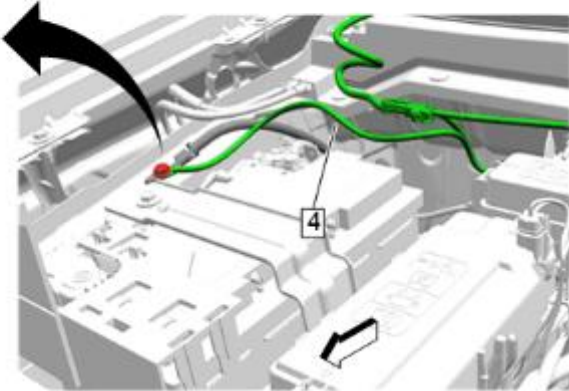
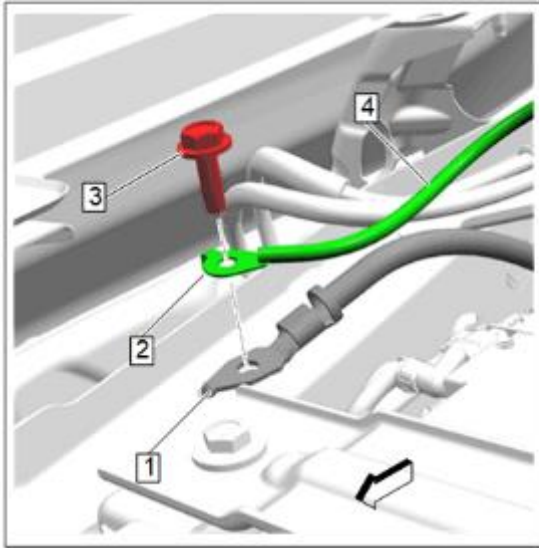
13. Remove the cover (2) from the accessory VBP fuse box (1).



14. Locate relay (2) and fuse (3) from kit and insert into appropriate area defined by instruction accessory VBP fuse box (1). Refer to [Accessory Wiring Junction Block Package Installation](#).



15. Reinstall the cover (2) to the accessory VBP fuse box (1).



16. On the right side of engine compartment , remove the bolt (3) from stack ring (1) and install accessory harness (4) stack ring (2) over existing stack ring (1).
17. Reinstall stack ring bolt (3) and tighten to 9 N.m (7 lb ft).
18. Check and confirm function of lamps.

Accessory VBP Fuse Box Reference

Connector Pin-Out	Wire Color	Relay Position	Fuse Position	Hard Switch Location
1	Yellow	Relay K1	Fuse F1	AUX Center Stack Position 6
2	Blue	Relay K2	Fuse F2	AUX 1
3	Gray	Relay K3	Fuse F3	AUX 2
4	Black	Relay K4	Fuse F4	AUX 3
5	White	Relay K5	Fuse F5	NA
6	Brown	Relay K6	Fuse F6	NA
7	NC	NC	NC	NA
8	NC	NC	NC	NA