

Translation Update in Progress

Table 1: [Cupholder Lighting Kit Contents](#)

Table 2: [Console LED Lighting Kit Contents](#)

Installation Instructions Part Number

84138952

Note: This instruction applies to MY23 and beyond Vehicles.

Note: Please ensure the correct VIN is used to search Accessory Manual Publication.

Cupholder Lighting Kit Contents

Qty	Description
1	Lighting ECU
1	Cupholder LED's with Pigtail Harness
1	Switch with Pigtail Harness
1	8 - Way Connector (shipped loose)
1	Power Harness
1	Installation and Hardware Kit
1	Installation Instructions
1	Owner's Manual

Console LED Lighting Kit Contents

Item No.	Description
1	Console LED's with Pigtail Wiring Harness
1	Console Specific Hardware Kit

Recommended Tools

- Plastic Trim Removal Tool
- Drill with 5/16" and 15/32" drill bits
- ¼ Drive Ratchet with 7 mm Socket
- Center Punch/Awl
- T20 Torx bit
- Phillips Screwdriver

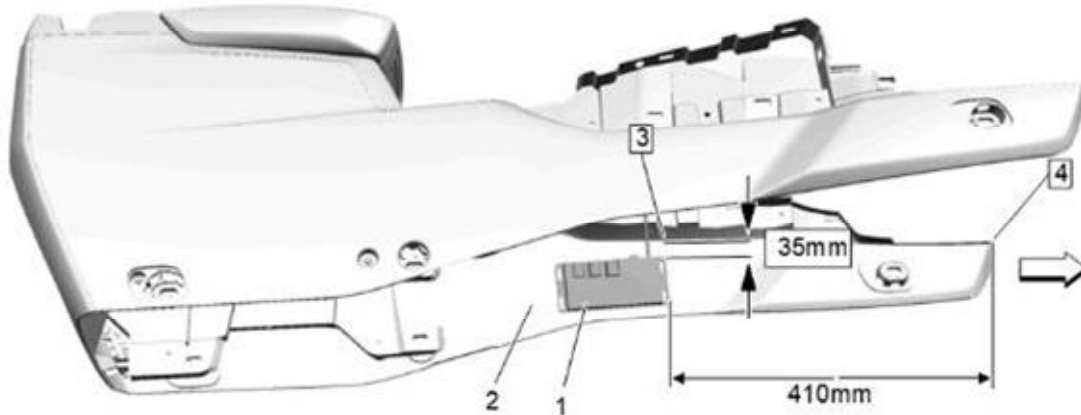
Installation Sequence

Note: Please review the entire procedure before trying to perform it.

Note: After safety mandated preparatory steps have been taken, the installation sequence is the suggested method for completing the accessory installation. In some instances, the suggested sequence is written for one associate to install and in others the sequence is given as part of a team accessory installation. Unless otherwise stated in the document, the associates may perform the installation steps in any order to make the installation as efficient as possible while maintaining consistent quality.

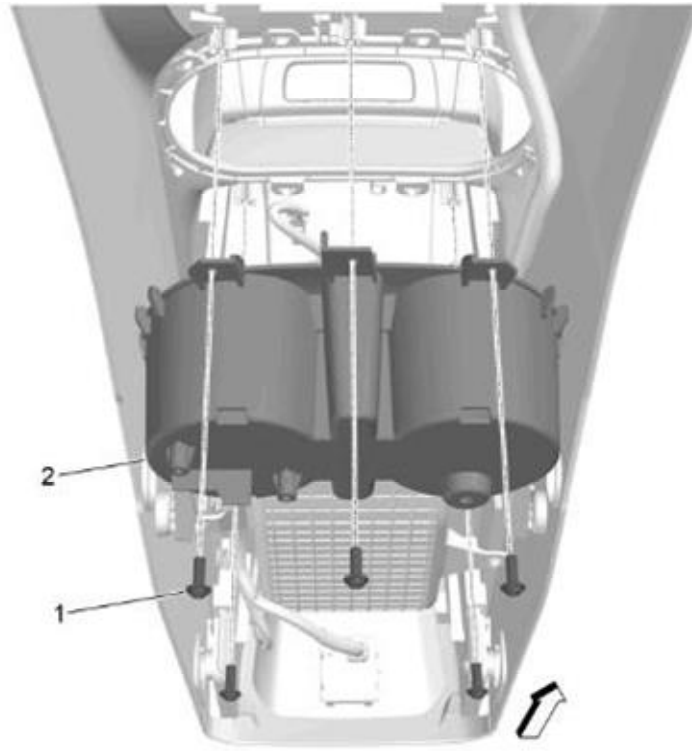
Remove Front Floor Console and Components

1. Apply the vehicle parking brake.
2. Disconnect negative battery cable. Refer to [Battery Negative Cable Disconnection and Connection](#) in Vehicle Service Manual.
3. Remove the front floor console. Refer to [Front Floor Console Removal and Installation](#) in Vehicle Service Manual.

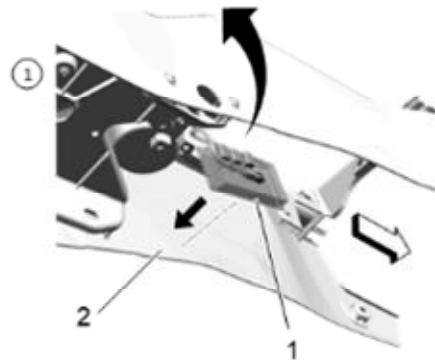
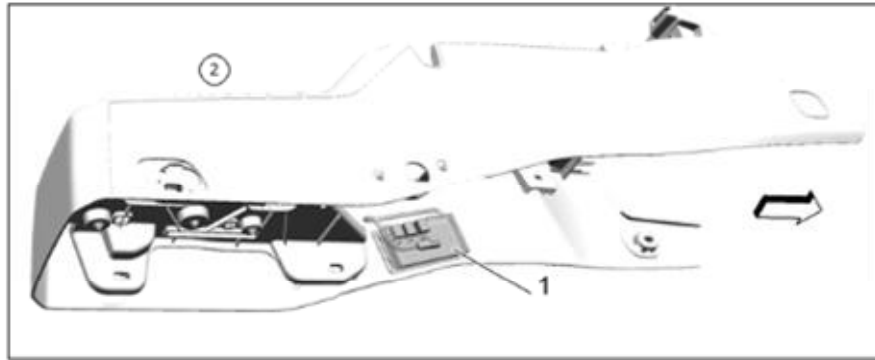


Note: Steps 4 thru 6 only apply to vehicles equipped with up-level console.

4. Clean the inner left area of front floor console (2), locate the control module, peel away the protector from the 2-way tape and position the control module (1) to the inner left area of up-level console as shown, 410 mm from the front edge (4), 35 mm from the console edge (3).

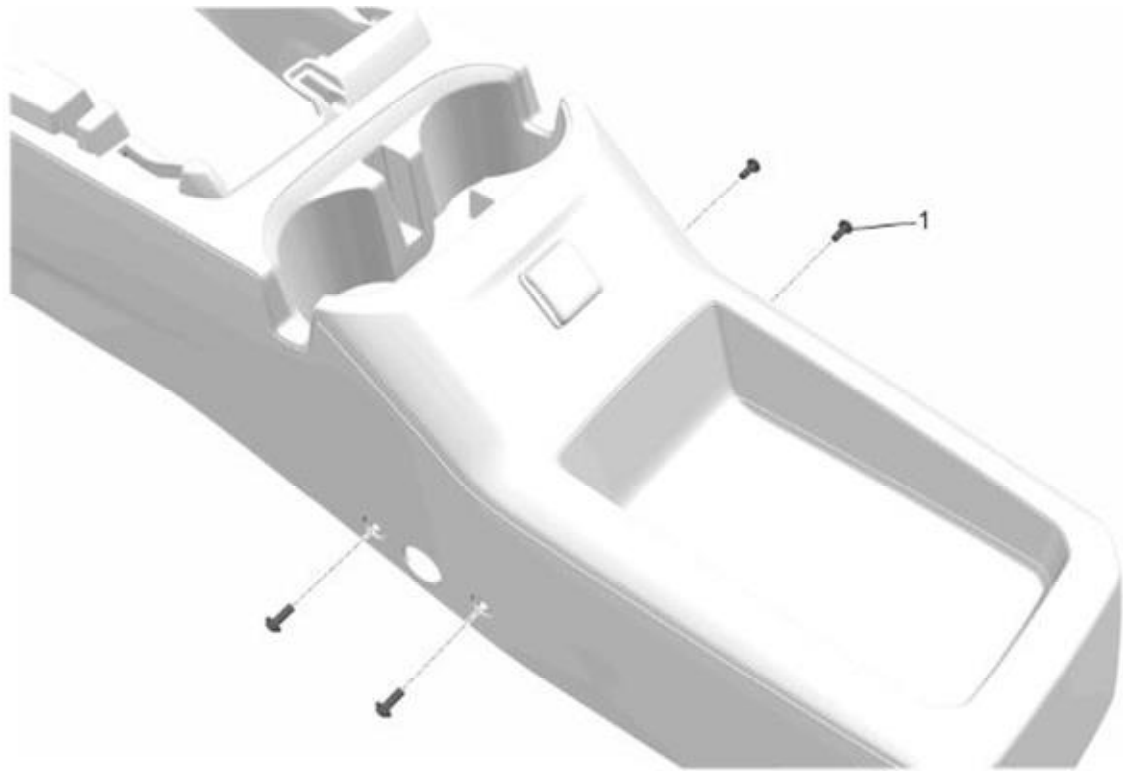


5. Front floor console cup holder bolt (1) » Remove [5x].
6. Disconnect necessary electrical connections and remove the front floor console cup holder (2).

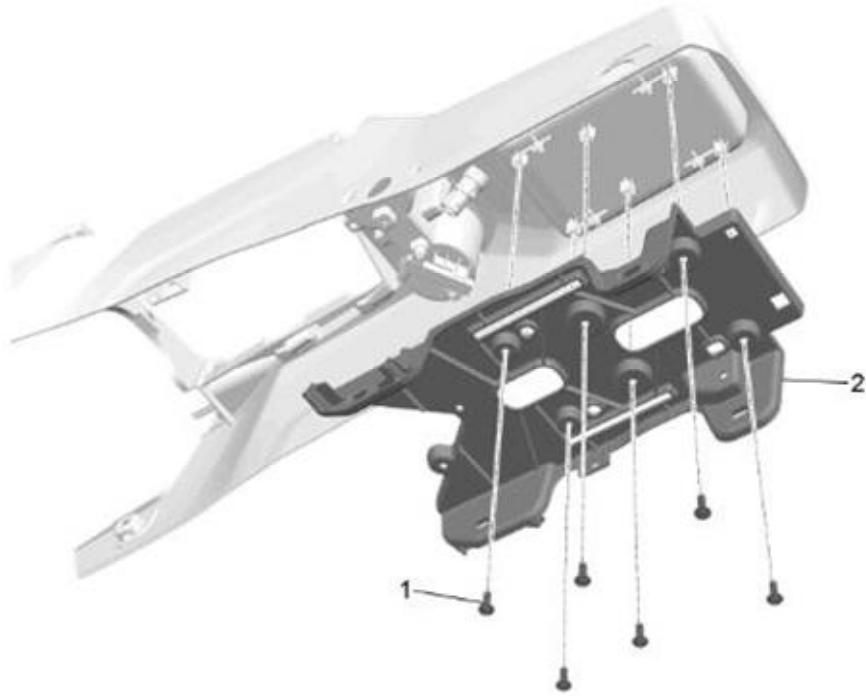


Note: Steps 7 thru 10 only apply to vehicles equipped with base-level console.

7. Clean the inner left area of front floor console (2), locate the control module, peel away the protector from the 2-way tape and position the control module (1) to the inner left area of base-level console as shown.



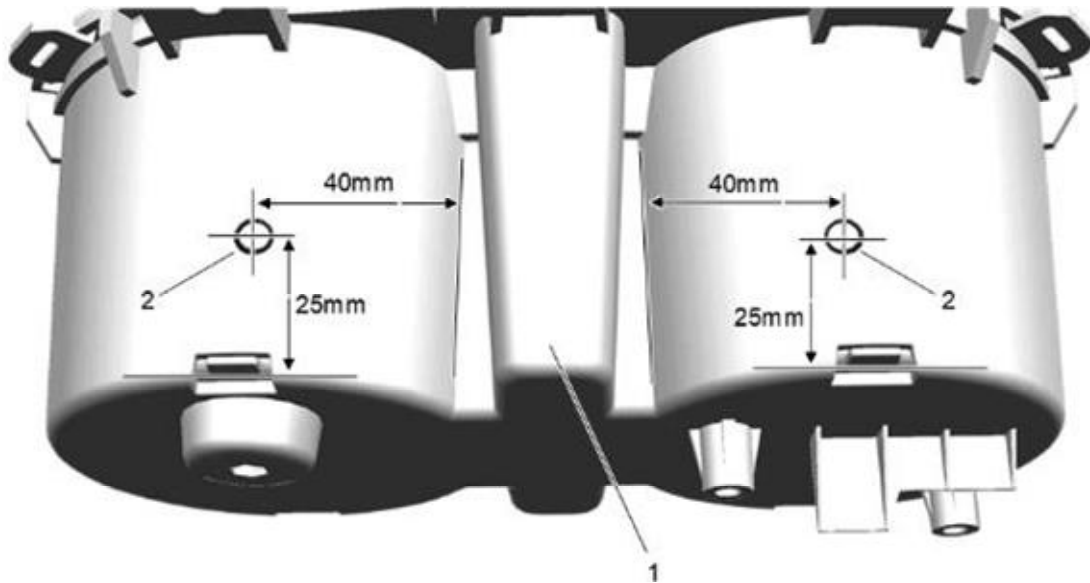
8. Front Floor Console Rear Compartment Bolt (1) » Remove [4x].



9. Front Floor Console Rear Compartment Bolt (1) » Remove [6x].

10. Disconnect the necessary electrical connections and remove the front floor console intermediate bracket (2).

Install Cupholder Lamps



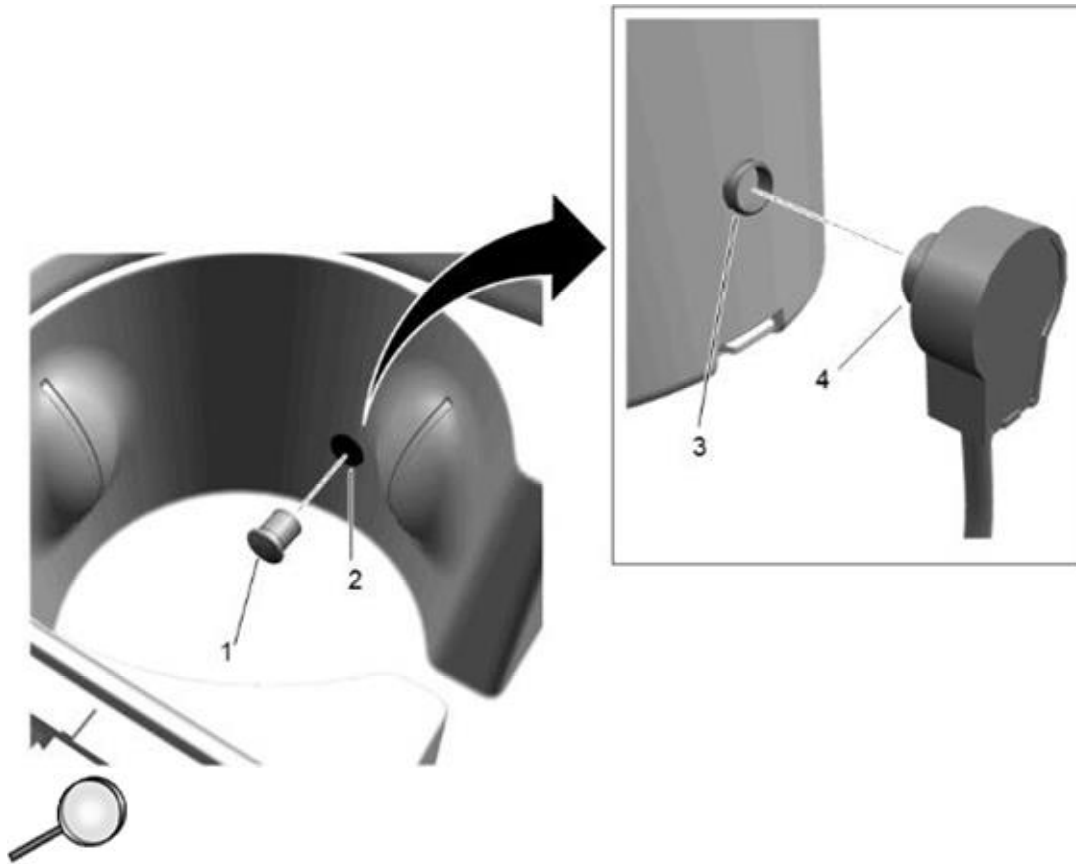
Note: One LED will be mounted in the side-wall of both cups and will be located approximately in the six o' clock position of each cup

1. One LED will be mounted in the side-wall of both cups and will be located approximately in the six o' clock position of each cup

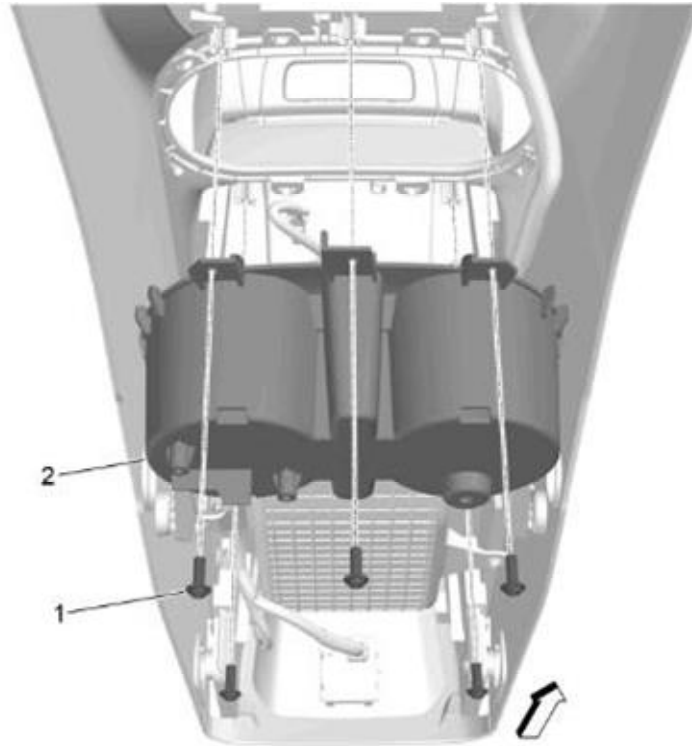
Caution: Always check position, dimensions and measurements before drilling. Failing to do so may cause damage to the vehicle, misalignment of components or the inability to install the accessory.

2. On the backside of cup holder (1) Measure and locate holes (2) according to dimensions as noted.
3. Drill pilot holes (2) using a 1/8" drill bit. Drill final holes using a 5/16" drill bit.

Note: Use caution not to oversize the holes.



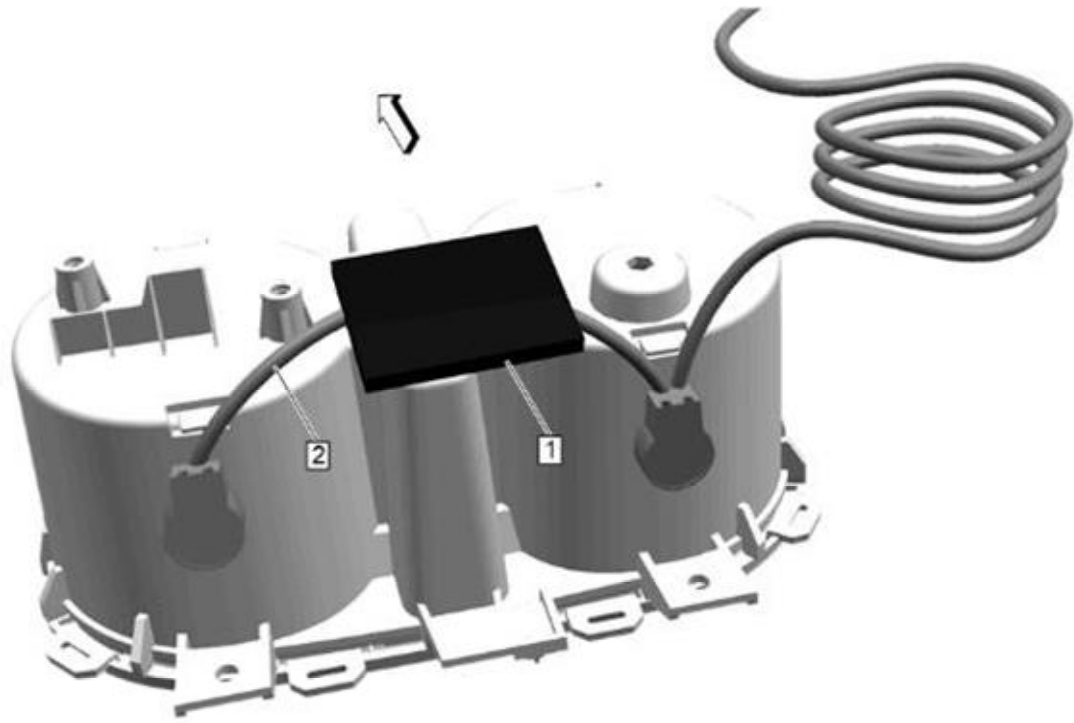
4. On up-level consoles only, Remove the rubber washer from the lens.
5. From inside of cup holder, insert a lens (1) through the drilled holes (2).
Note: Use silicon to seal hole (w/lens).
Note: Leave tape adhesive dot on lens.
6. From the outside of the cup holder, install the LED's (4) onto the lenses (3). Turn the LED while holding the lens from the inside. LED's should firmly seat to the cup holder.



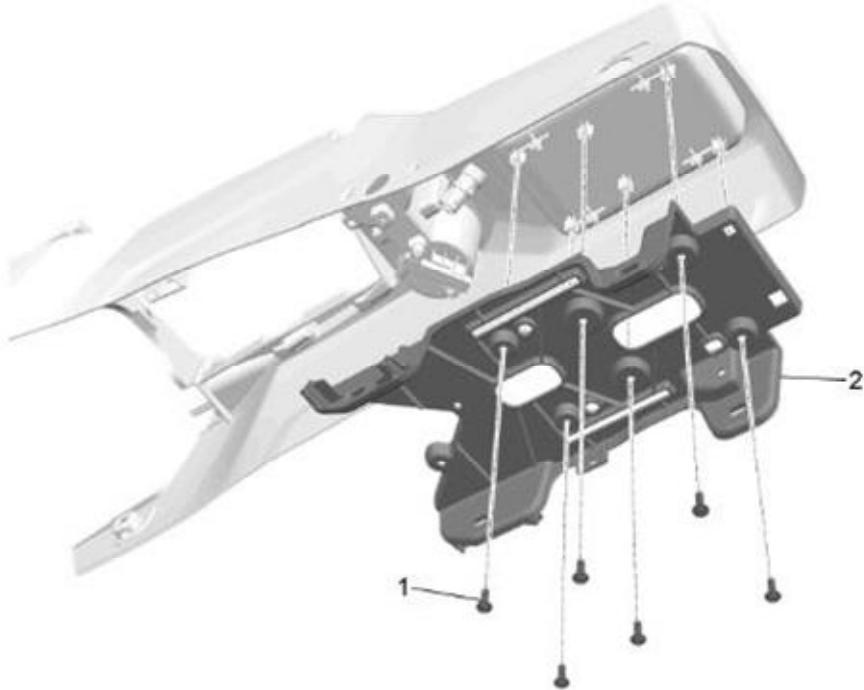
Caution: Use the correct fastener in the correct location. Replacement fasteners must be the correct part number for that application. Fasteners requiring replacement or fasteners requiring the use of thread locking compound or sealant are identified in the service procedure. Do not use paints, lubricants, or corrosion inhibitors on fasteners or fastener joint surfaces unless specified. These coatings affect fastener torque and joint clamping force and may damage the fastener. Use the correct tightening sequence and specifications when installing fasteners in order to avoid damage to parts and systems.

Note: Steps 7 and 8 only apply to vehicles equipped with up-level console.

7. Re-install cup holder (2) to front floor console and secure with the five bolts (1). Tighten bolts to 1 N.m (9 lb in),
8. Connect necessary electrical connections to the front floor console cup holder.

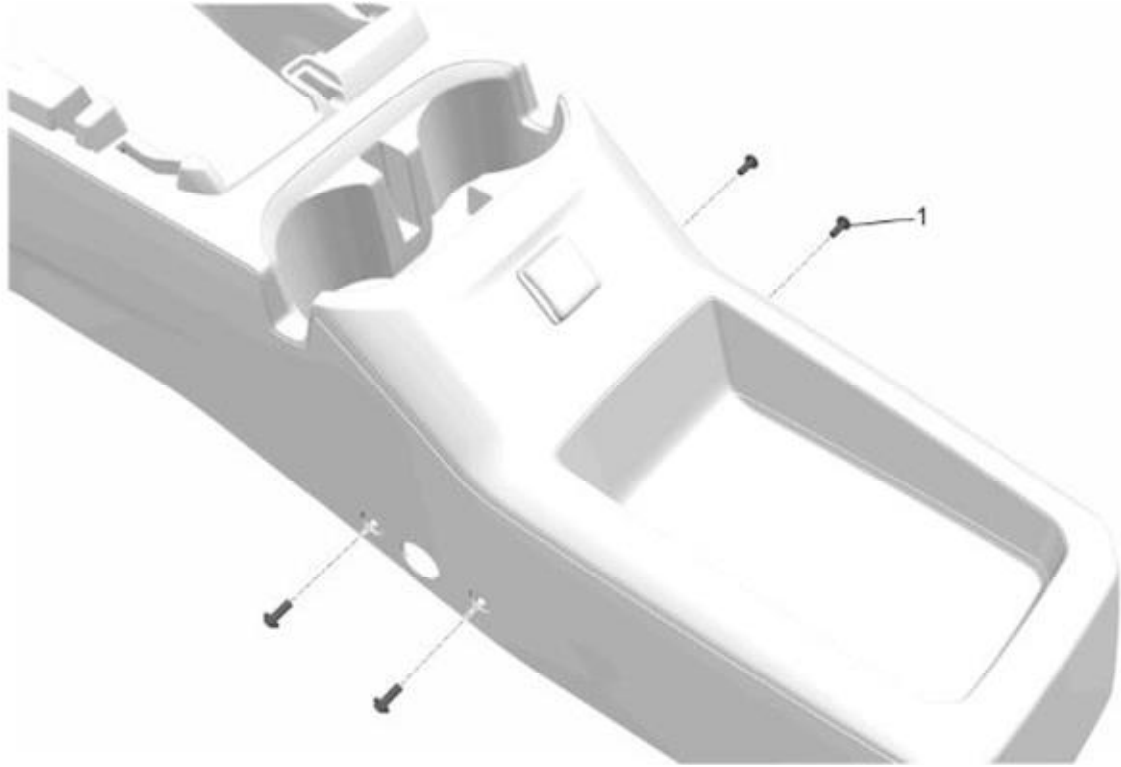


9. Use adhesive pad (1) to secure the wiring harness (2) to the outside of cup holder.



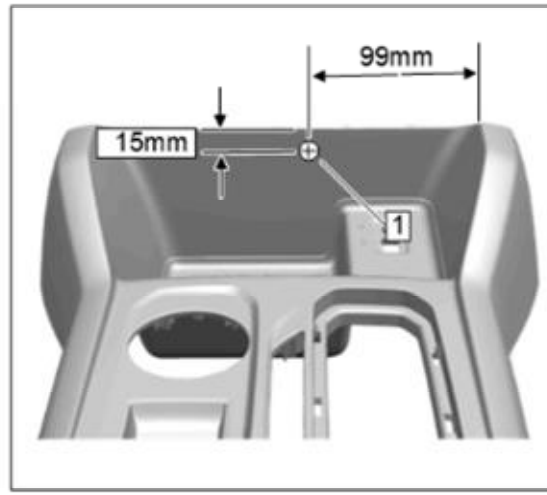
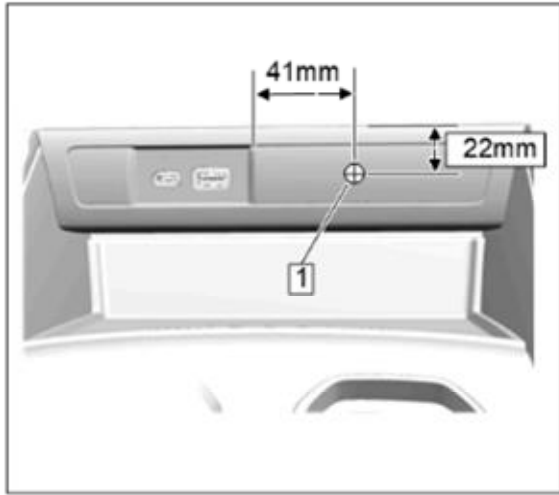
Note: Steps 10 thru 12 only apply to vehicles equipped with base-level console.

10. Reinstall the front floor console intermediate bracket (2) and secure with the six bolts (1). Tighten bolts to 1 N.m (9 lb in),
11. Connect necessary electrical connections.



12. Install the four front floor console rear compartment bolts (1). Tighten bolts to 1 N.m (9 lb in),

Install Switch

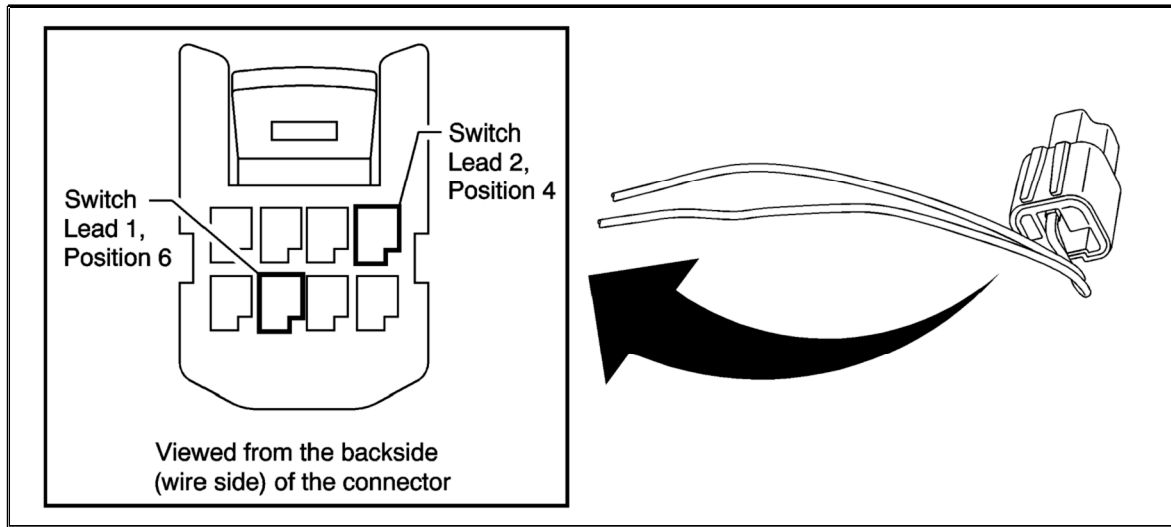


1. Mark the location of the hole (1) per the dimensions shown.
2. Drill pilot hole (1) using a 1/8" drill bit. Drill a final hole using a (15/32") drill bit.

Note: Use caution not to oversize the holes.



3. Pending vehicle application, with the accessory switch in hand, remove the nut from the switch and wiring pigtail, keep gasket in place on switch. Insert the switch wiring (2) and switch (1) through the hole (3). Attach nut (4) to the backside of switch and securely tighten the switch to the console. Use wrench to snug the nut.

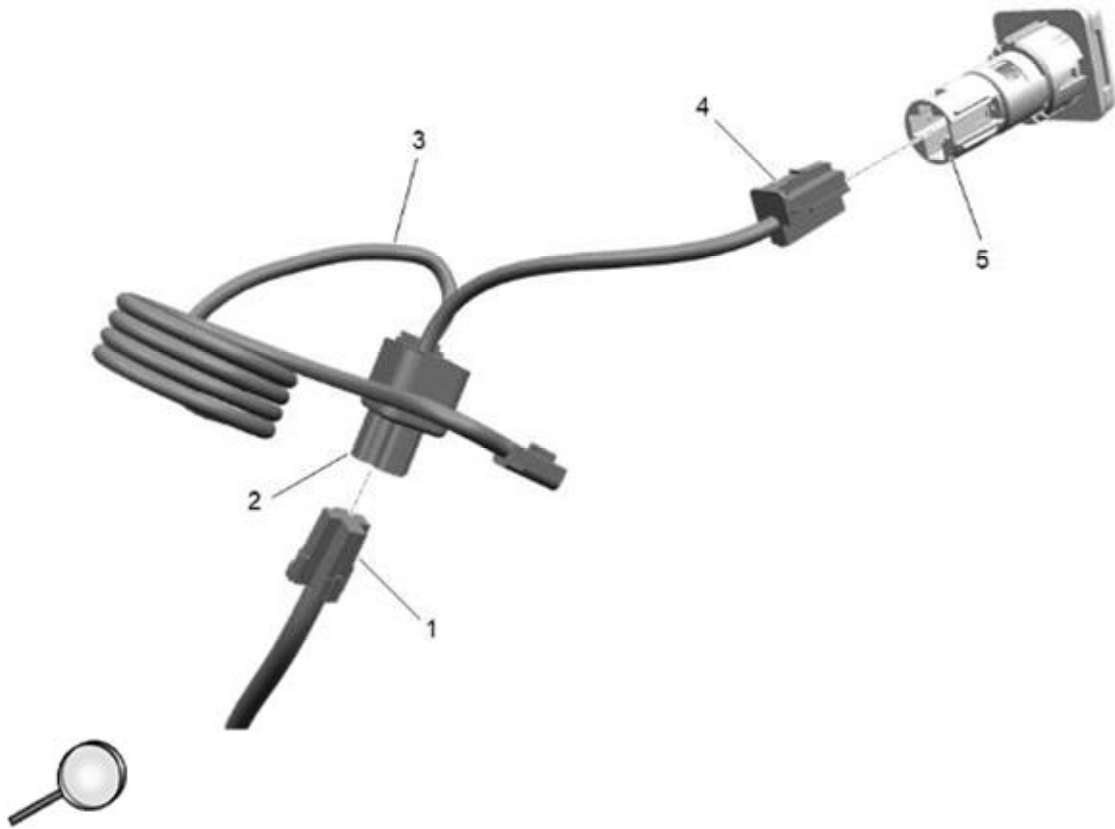


Note: Cavity and pin locations are shown from back side of WHITE 8-pin connector.

4. Insert bare terminals on ends of switch harness into cavities 4 and 6 of the WHITE 8-pin spare connector. Press down on the TPA on top of the connector body to lock the terminals into the connector. Refer to connector cavity numbers as shown for proper terminal location.

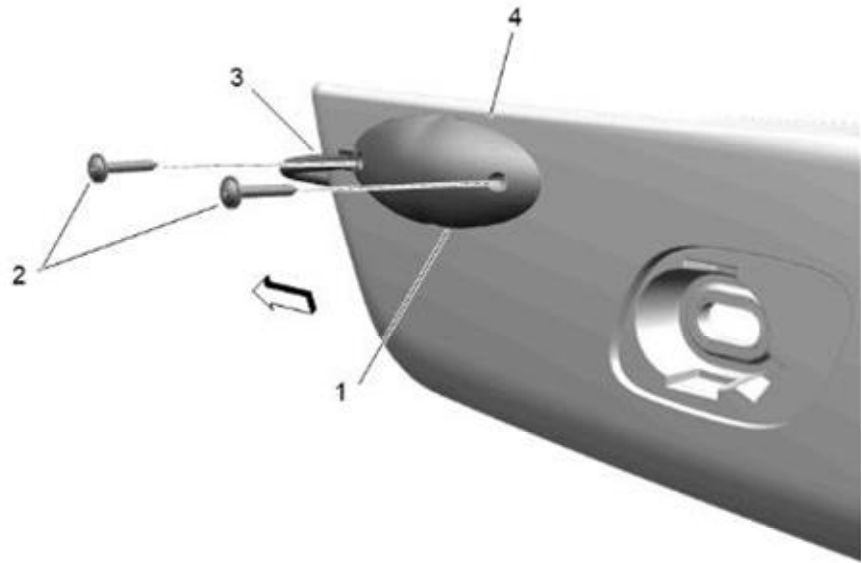
Note: Either WHITE wire can be inserted into either cavity.

Install Power Harness



1. Disconnect the electrical connector (1) from the auxiliary power outlet (5).
2. Locate power harness (3) supplied in kit.
3. Connect the power harness connector (4) to the auxiliary power outlet (5).
4. Connect the power harness connector (2) to the auxiliary power outlet harness connector (1).

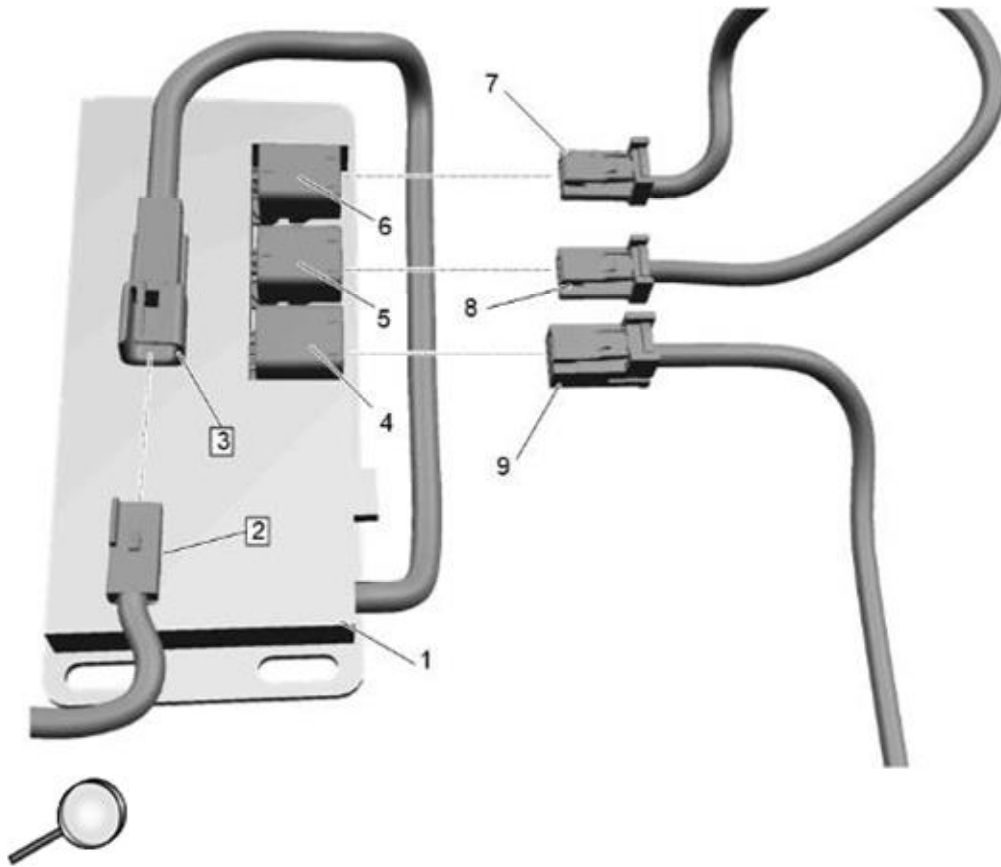
Installation of Console LED Lighting



1. With the wires (3) pointing towards the inside of console, align the LED (1) flush to the upper edge of front floor console.
2. Secure the LED (1) to the front floor console with the self tapping screws (2).
Note: Do not overtighten screws.
3. Repeat steps 1 and 2 for opposite side.

Make Electrical Connections and Test LED Functions

1. Position front floor console to vehicle and temporarily install the necessary console trim components to make electrical connections.



2. Connect all connectors to the lighting control module (1) to verify system functionality.
 - Power/ground harness (2) to module (3)
 - Cupholder lamp harness (8) to module (5)
 - Switch harness (7) to module (6)
 - Footwell lamp harness (9) to module (4)
3. Connect negative battery cable. Refer to [Battery Negative Cable Disconnection and Connection](#) in Vehicle Service Manual.
4. Place ignition on (engine off) position. Test the system functionality of LED's.
Note: Refer to owner's manual card.

Reassemble Vehicle

1. Secure the accessory power harness to the existing console harness using cable ties.
2. Gather cup holder harness, switch harness, and power harness together and continue routing alongside and cable tie to the existing console harness.
3. Gather the extra power/ground, cup holder and switch wiring harness lengths together and secure with cable ties to existing console harness.
Important: Secure the power/ground harness 2-way connector properly to prevent rattles.
4. Re-install the front floor console and components. Refer to [Front Floor Console Removal and Installation](#) in Vehicle Service Manual.
5. Disengage the park brake.
6. Supply the Owner's Manual insert to the customer.