

Front Floor Console Cup Holder Illumination Lamp Package Installation

Table 1: [Cupholder Lighting Kit Contents](#)

Table 2: [Footwell Lighting Kit Contents](#)

Installation Instructions Part Number

84138952

Cupholder Lighting Kit Contents

Qty	Description
1	Lighting ECU
1	Cupholder LED's with Pigtail Harness
1	Switch with Pigtail Harness
1	8 - Way Connector (shipped loose)
1	Power Harness
1	Installation and Hardware Kit
1	Installation Instructions
1	Owner's Manual

Footwell Lighting Kit Contents

Item No.	Description
1	Footwell LED's with Pigtail Wiring Harness
1	Footwell Specific Hardware Kit

Recommended Installation Time

Footwell – 1.3 Hrs

Cupholder/Footwell – 1.7 Hrs

Recommended Tools

- Plastic Trim Removal Tool
- Drill with 5/16" and 15/32" drill bits
- ¼ Drive Ratchet with 7 mm Socket
- Center Punch/Awl
- T20 Torx bit
- Phillips Screwdriver

Installation Sequence

Note: Please review the entire procedure before trying to perform it.

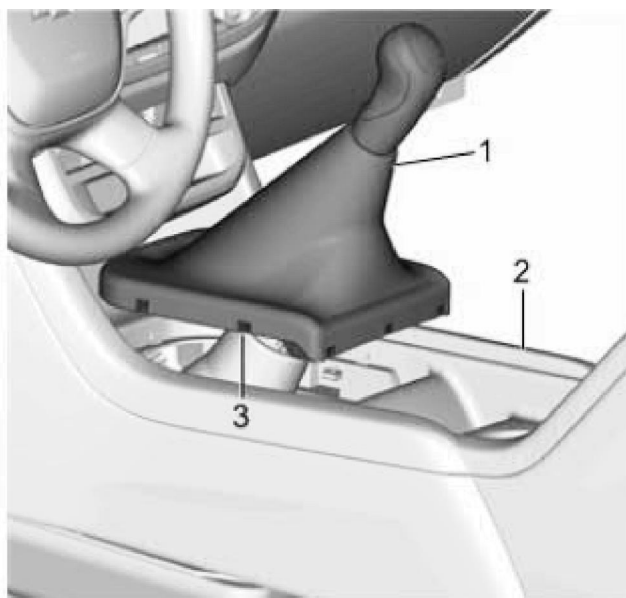
Note: After safety mandated preparatory steps have been taken, the installation sequence is the suggested method for completing the accessory installation. In some instances, the suggested sequence is written for one associate to install and in others the sequence is given as part of a team accessory installation. Unless otherwise stated in the document, the associates may perform the installation steps in any order to make the installation as efficient as possible while maintaining consistent quality.

Remove Front Floor Console and Components

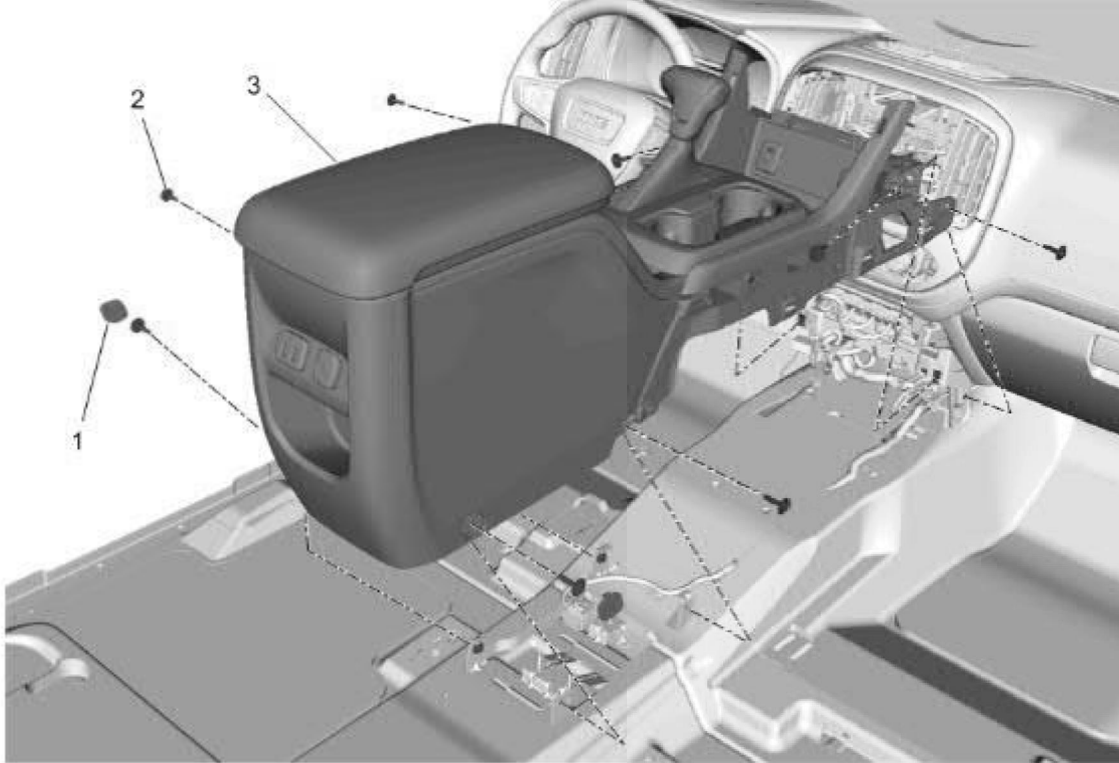
1. Disconnect negative battery cable. Refer to Vehicle Service Manual.
2. Apply the vehicle parking brake.
3. Move the front seat rearward to access the retainers and the rear of the panel.



4. Using a flat bladed plastic trim tool, release the retainer clips securing the left (1) and right (2) console side covers to the front floor console assembly.



5. Using a flat-bladed trim tool, carefully release the four retaining tabs on each side of the boot (1) in order to disengage the boot retainers (3) from the floor console, if equipped with manual transmission.



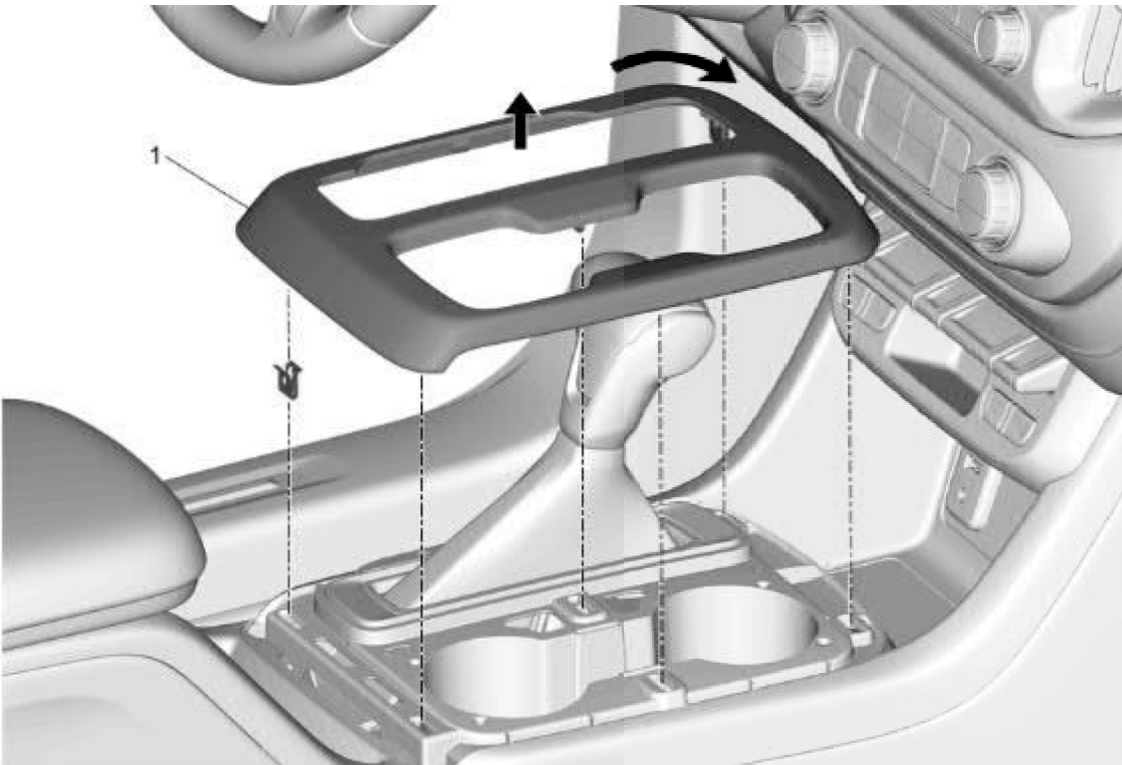
6. Disconnect the transmission range selector lever cable terminal from the shift lever pin, if equipped with automatic transmission.
7. Release the transmission range selector lever cable retainer and remove the transmission range selector cable from the transmission control, if equipped with automatic transmission.
8. Using a suitable tool, release the bolt access hole covers (1) Qty: 2 from the front floor console.

Caution: Use the correct fastener in the correct location. Replacement fasteners must be the correct part number for that application. Fasteners requiring replacement or fasteners requiring the use of thread locking compound or sealant are identified in the service procedure. Do not use paints, lubricants, or corrosion inhibitors on fasteners or fastener joint surfaces unless specified. These coatings affect fastener torque and joint clamping force and may damage the fastener. Use the correct tightening sequence and specifications when installing fasteners in order to avoid damage to parts and systems.

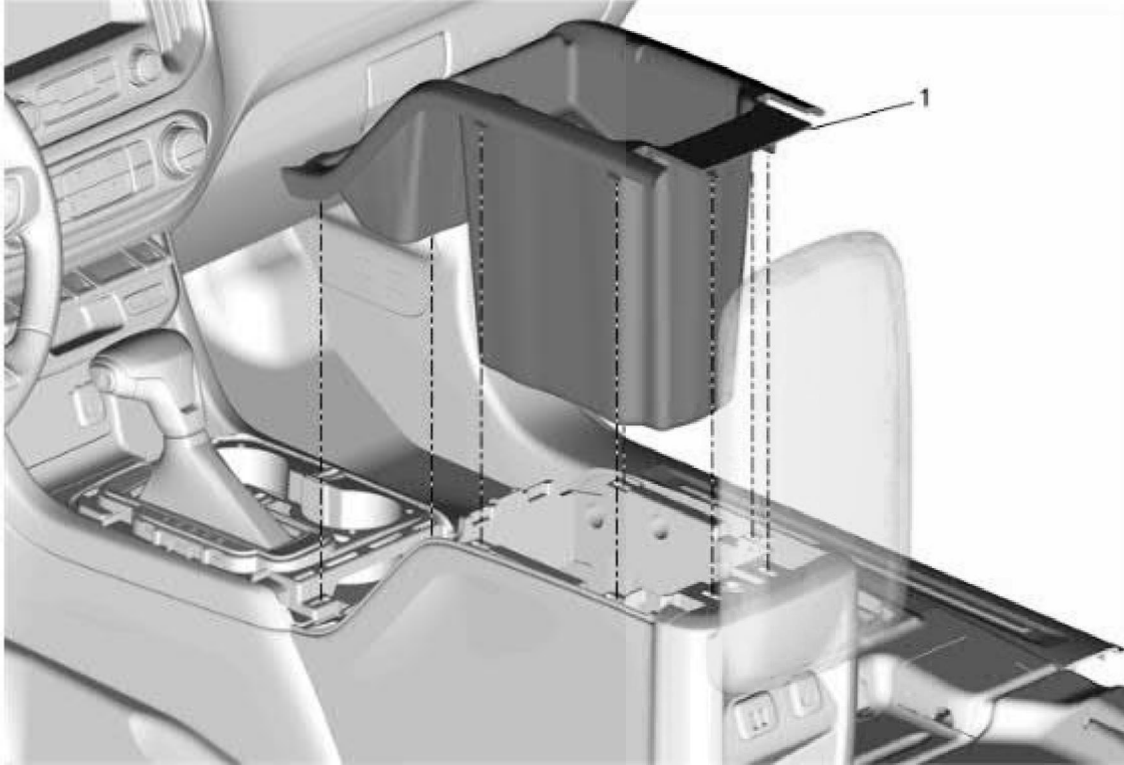
9. Reposition both front seats as necessary and remove the front floor console bolts (2) Qty: 8. Upon reassembly tighten the bolts to 9 N.m (80 lb in).
10. Disconnect electrical connections.
11. With the aid of an assistant lift the floor console (3) rearward and upward away from the instrument panel assembly.



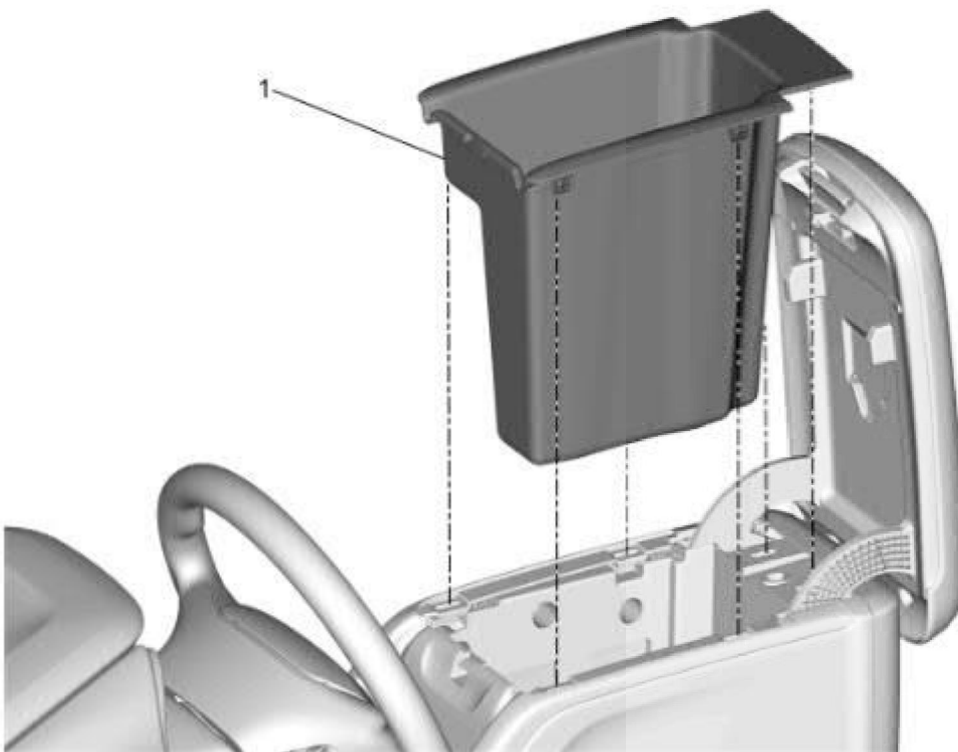
12. Using a flat-bladed plastic trim tool, release the retaining clips securing the control lever boot (1), if equipped with automatic transmission.
13. Disconnect electrical connector (2), if equipped with automatic transmission.
14. To remove transmission control lever knob (3), pull upward and twist clockwise and counter-clockwise to release it from the transmission control shaft, if equipped with automatic transmission.



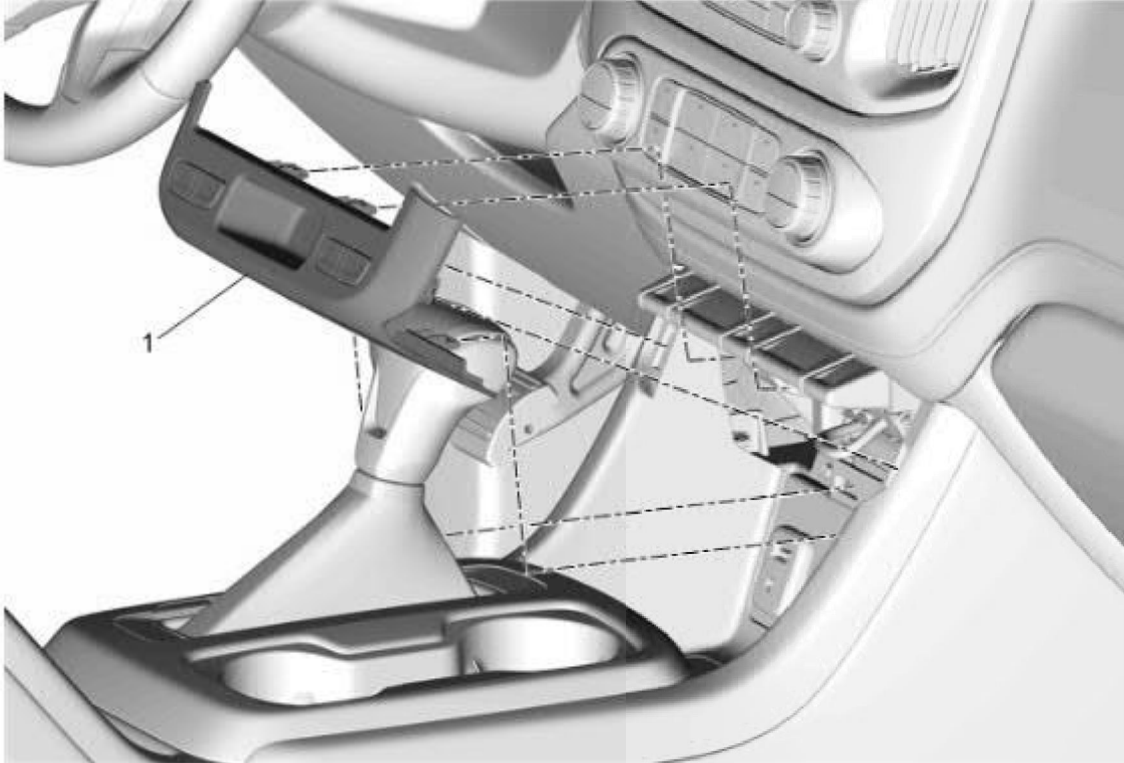
15. Using a flat-bladed plastic trim tool, remove the front floor console trim plate (1), if equipped with automatic transmission.



16. Using a flat bladed plastic trim tool, release the 8 retainer clips securing the front floor console compartment (1) to the front floor console, if equipped with automatic transmission.

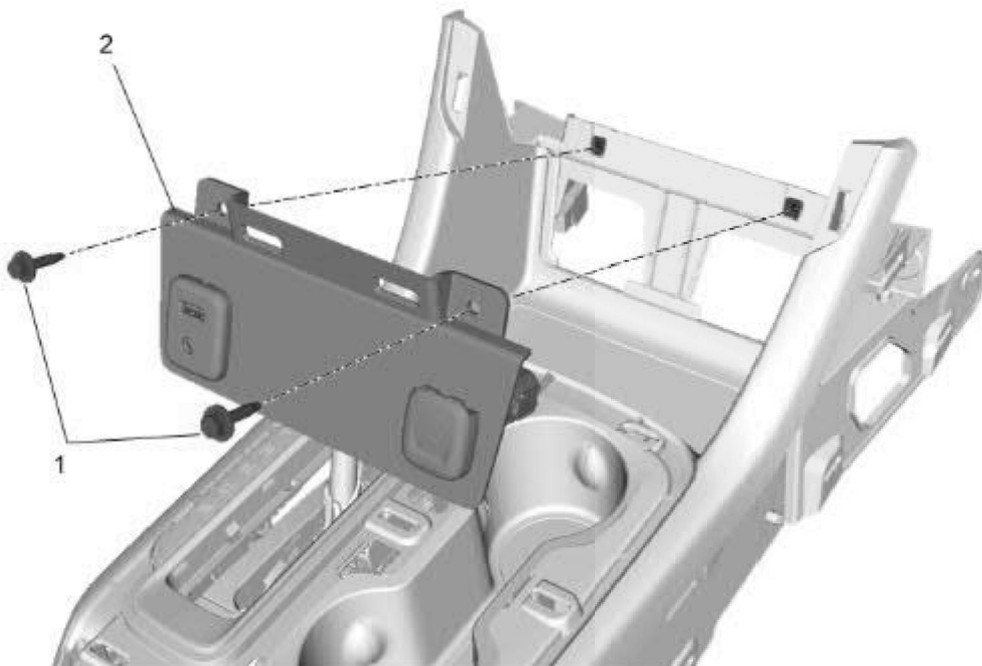


17. Using a flat bladed plastic trim tool, release the 6 retainer clips securing the front floor console compartment (1) to the front floor console, if equipped with manual transmission.



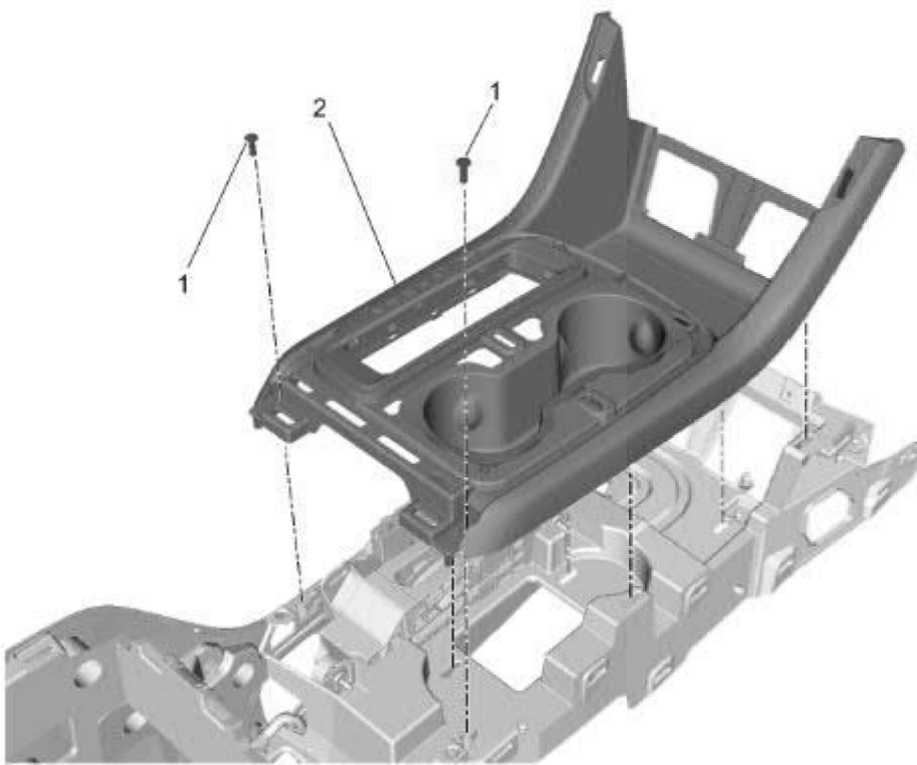
18. Using a flat bladed plastic trim tool, release the 6 retainers securing the accessory bezel (1).

19. Disconnect electrical connections.

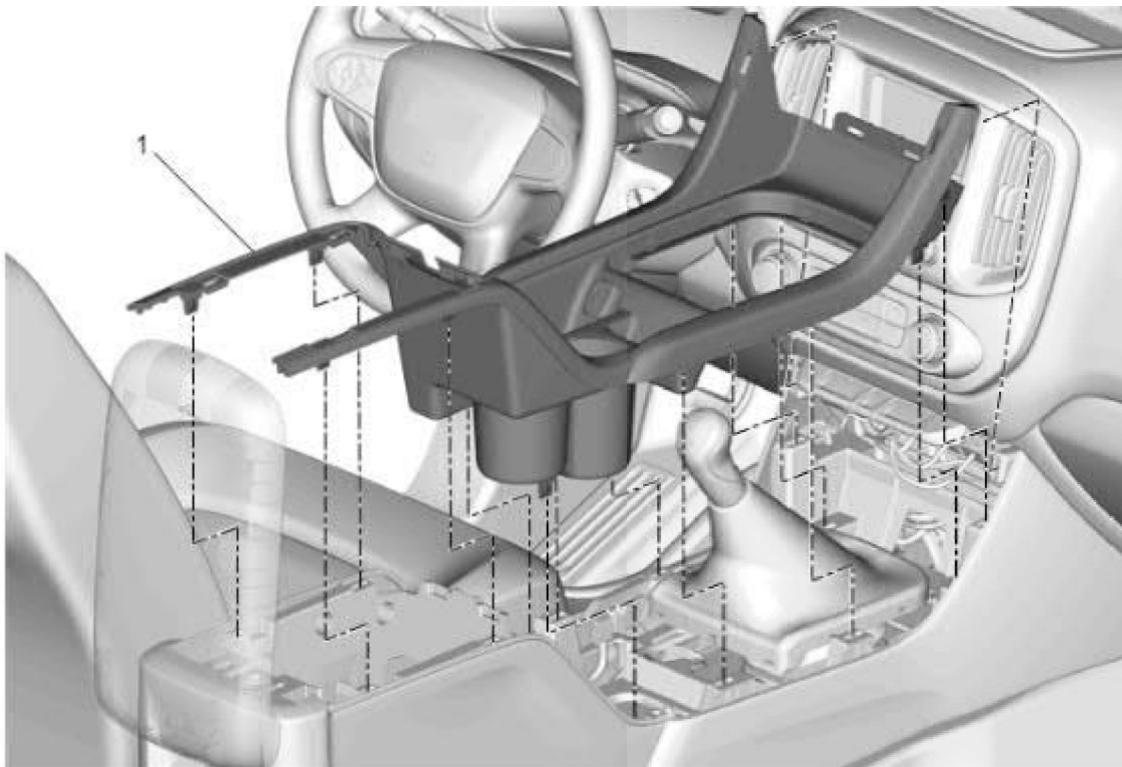


20. Remove the accessory trim plate bolts (1).

21. Remove the accessory trim plate (2).

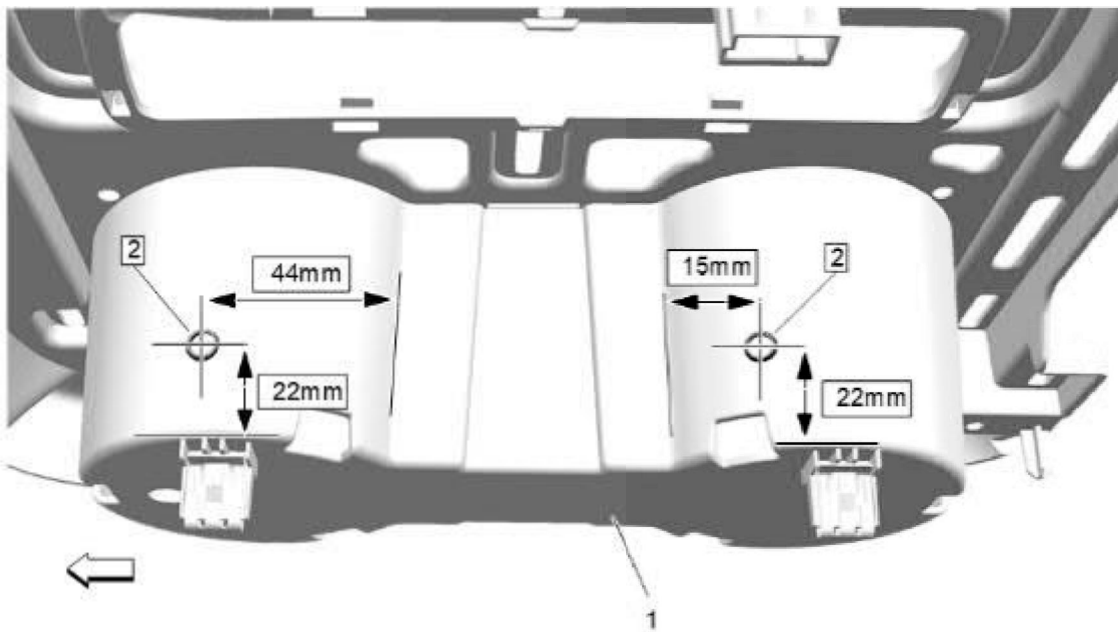


22. Remove the front console cup holder trim plate bolts (1), if equipped with automatic transmission.
23. Using a flat bladed plastic trim tool, release the retainer clips securing the trim plate (2) to the front floor console, if equipped with automatic transmission.
24. Disconnect electrical connections, if applicable.



25. Using a flat bladed plastic trim tool, release the 16 retainer clips securing the trim plate (1) to the front floor console, if equipped with manual transmission.
26. Disconnect electrical connections, if applicable.

Install Cupholder Lamps



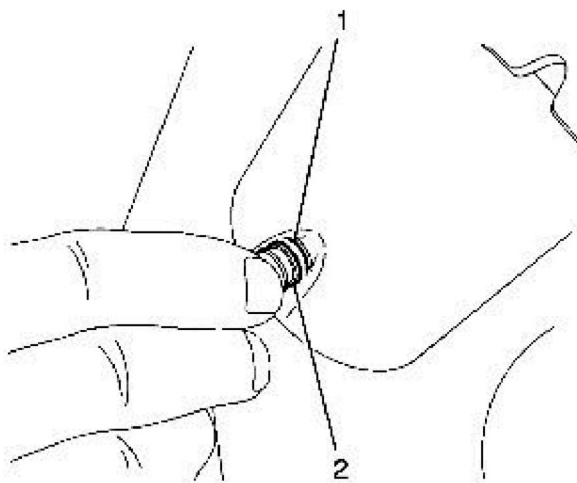
Note: Place the Front Floor Console Cup Holder Trim Plate (1) on a clean bench surface, laying on its right side.

1. One LED will be mounted in the side-wall of both cups and will be located approximately in the eight o' clock position of each cup

Caution: Always check position, dimensions and measurements before drilling. Failing to do so may cause damage to the vehicle, misalignment of components or the inability to install the accessory.

2. Measure and locate holes according to dimensions as noted.
3. Drill pilot holes (2) using a 1/8" drill bit. Drill final holes using a 5/16" drill bit.

Note: Use caution not to oversize the holes.

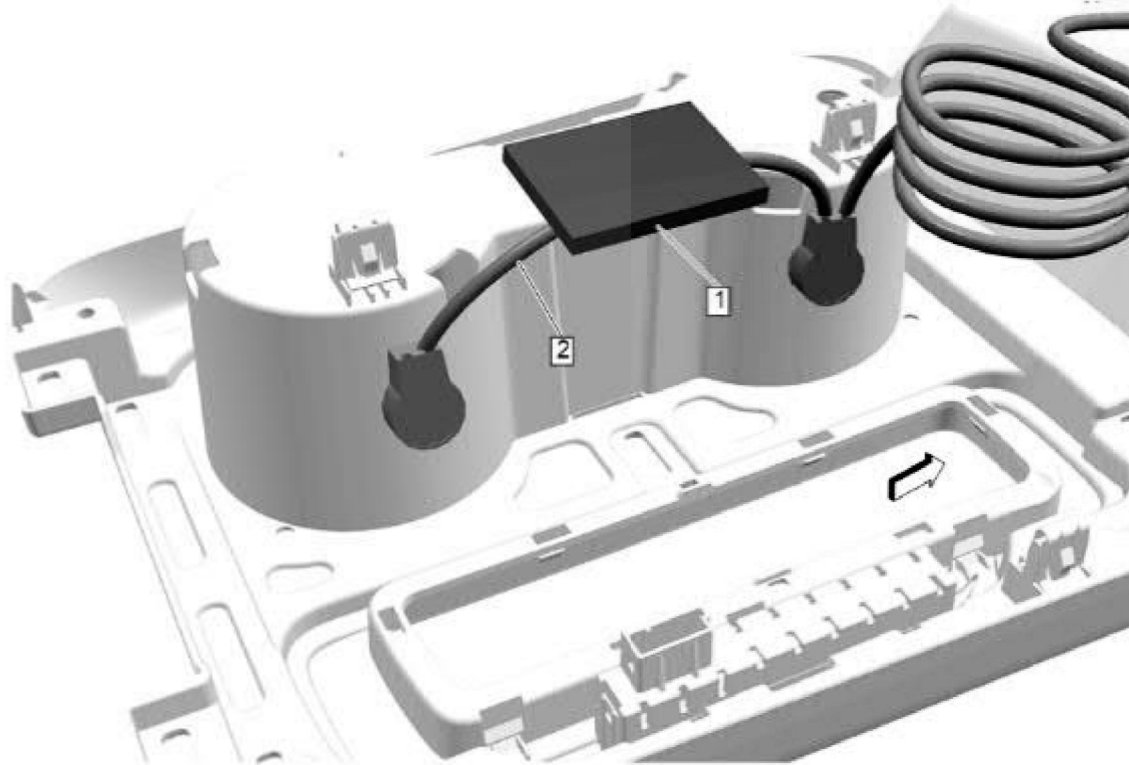


4. From inside of cupholder, insert a lens (2) through the drilled holes.

Note: Use silicon to seal hole (w/lens).

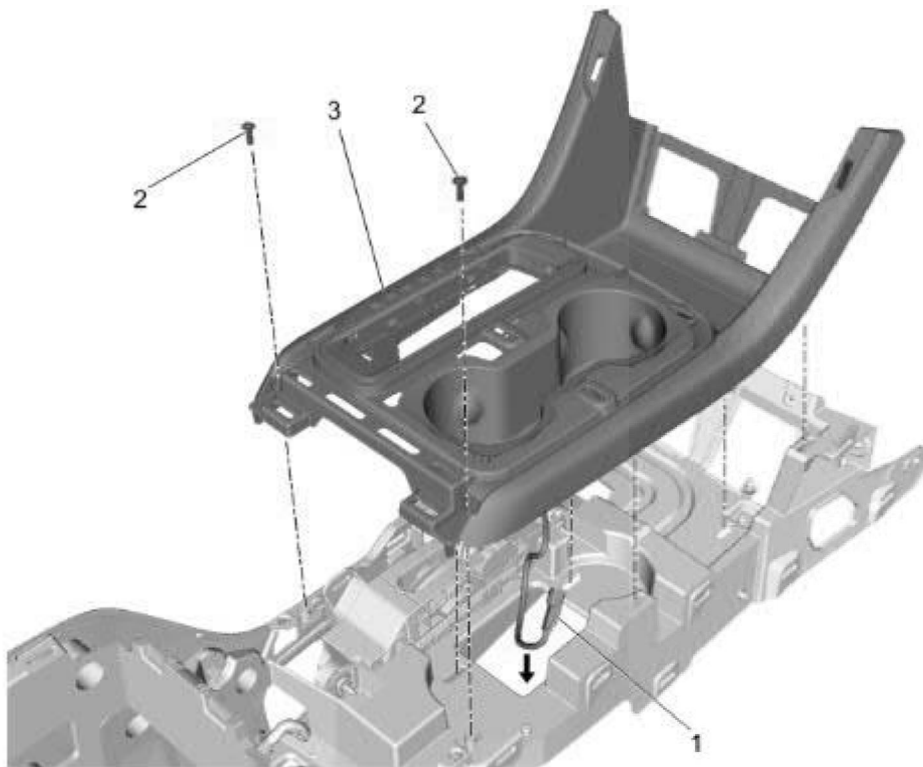
Note: Leave tape adhesive dot on lens.

5. Place serrated washer (1) to outside of cupholder over lens body.
6. From the outside of the cupholder, install the LED's onto the lenses. Turn the LED while holding the lens from the inside. LED's should firmly seat to the cupholder.

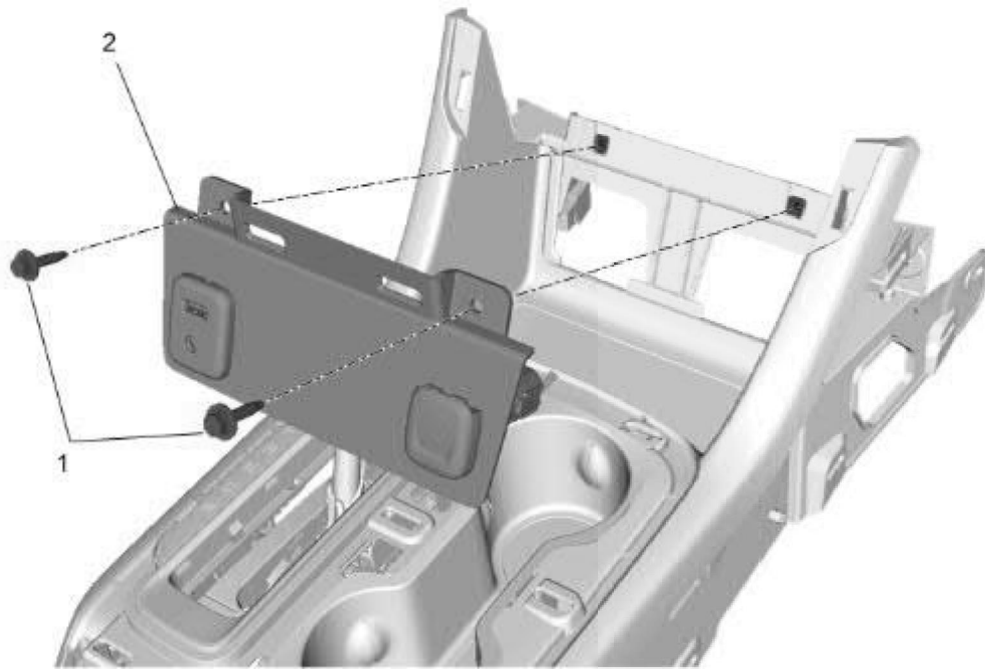


7. Use adhesive pad (1) to secure the wiring harness (2) to the outside of cupholder.

Install Switch

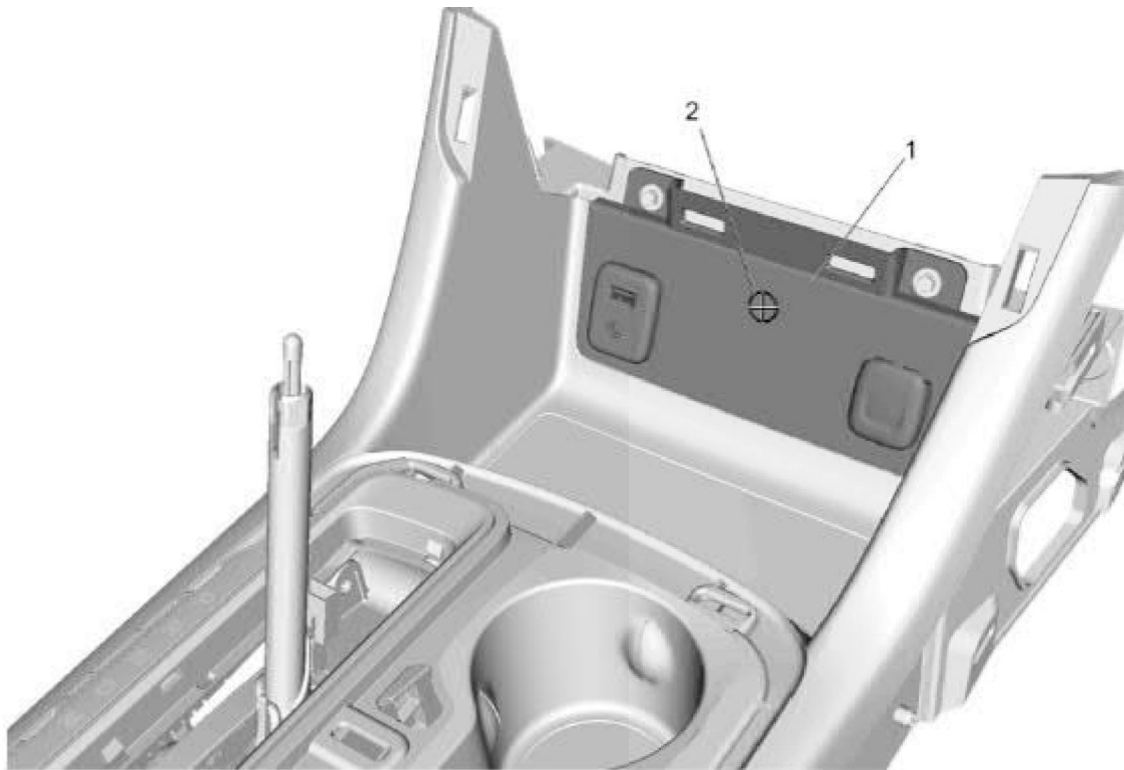


1. Position the cupholder trim plate to the console and route the cupholder led harness (1) through the center of the console.
2. Re-install the cupholder trim plate (3) to the console engaging the retainers.
3. Install the cupholder trim plate bolts (2), if applicable. Tighten the bolts to 2.5 N.m (22 lb in).



4. Re-install the accessory trim plate (2) to the console.

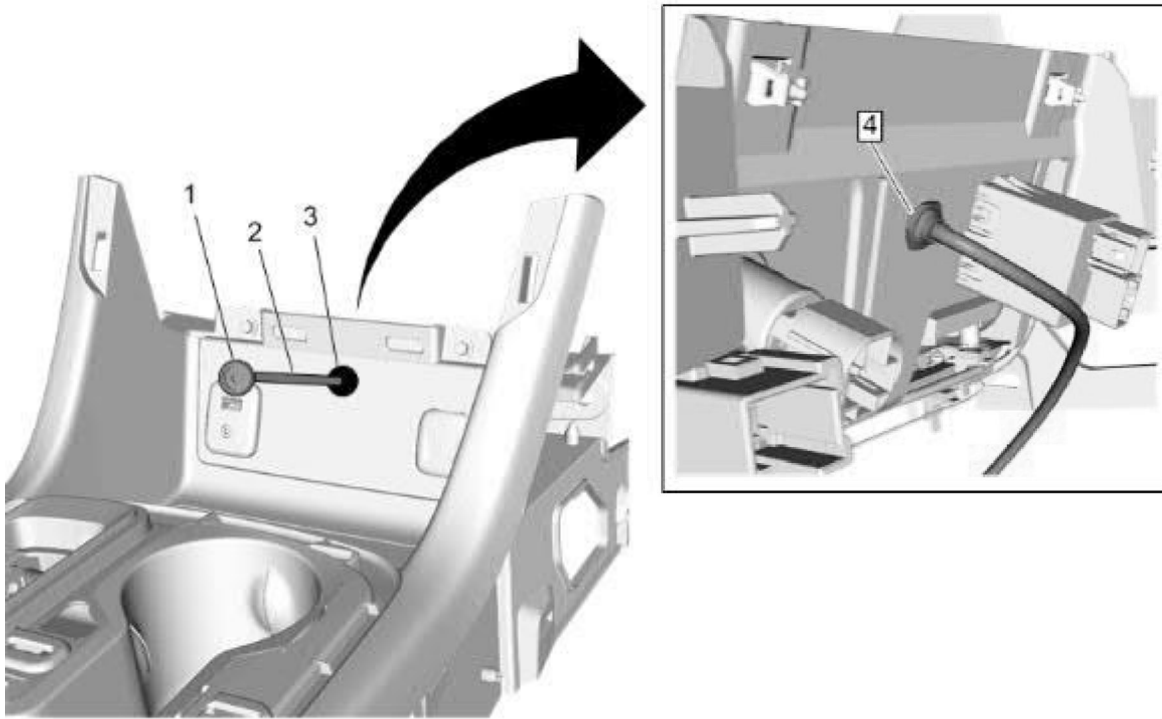
5. Install the accessory trim plate bolts (1). Tighten the bolts to 2.5 N.m (22 lb in).



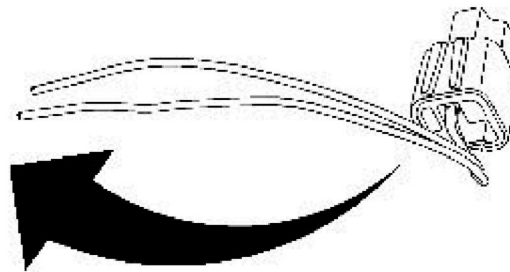
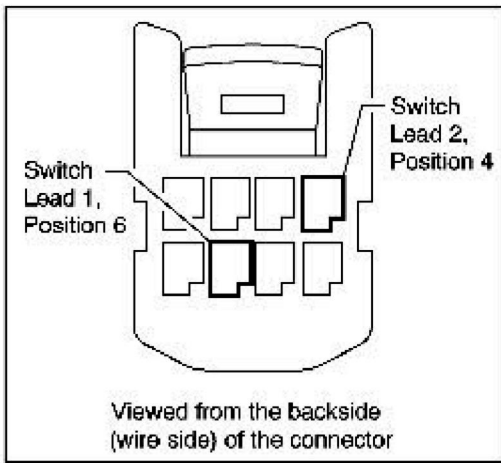
Caution: Always check scale, size and position of all templates before drilling. Failing to do so may cause damage to the vehicle, misalignment of components or the inability to install the accessory.

6. Using the supplied template, position it to the accessory trim plate (1).

Note: Use caution not to oversize the holes.

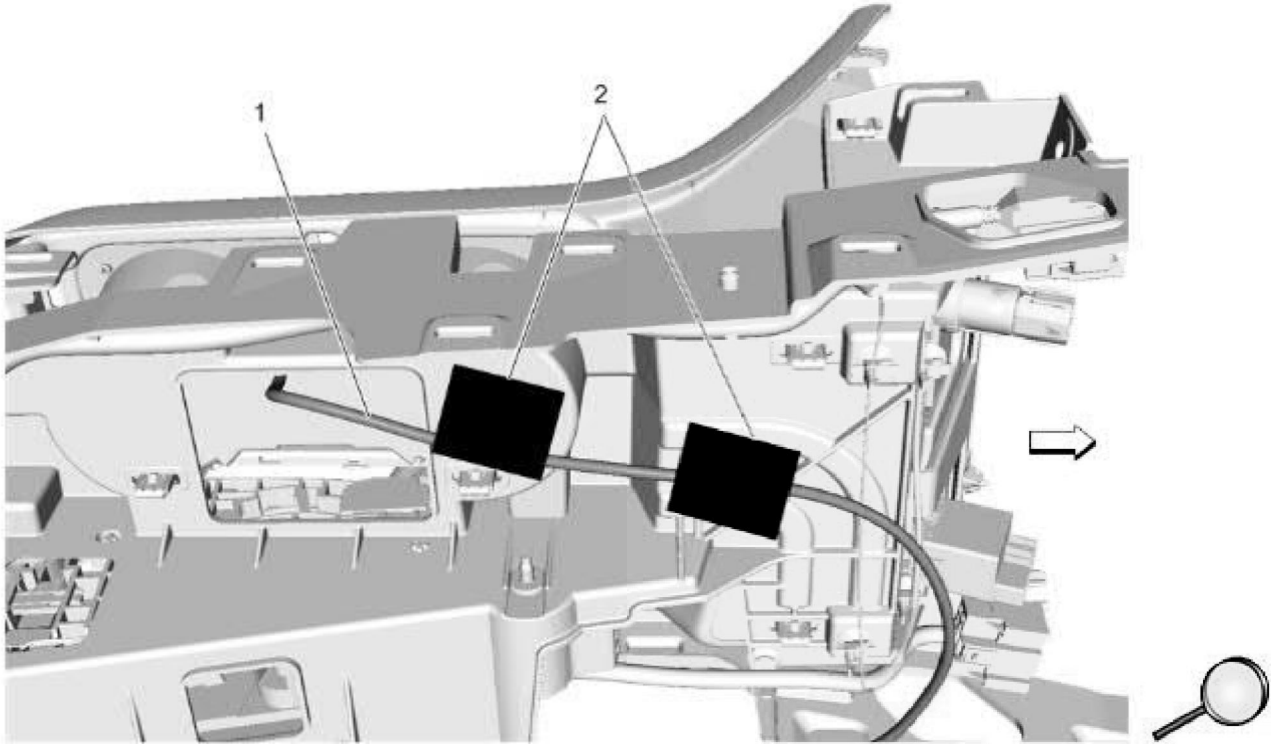


7. With the accessory switch in hand, remove the nut from the switch and wiring pigtail, keep gasket in place on switch. Insert the switch wiring (2) and switch (1) through the hole (3). Attach nut (4) to the backside of switch and securely tighten the switch to the console. Use wrench to snug the nut.



- Note:** Cavity and pin locations are shown from back side of WHITE 8-pin connector.
8. Insert bare terminals on ends of switch harness into cavities 4 and 6 of the WHITE 8-pin spare connector included in the switch package. Press down on the TPA on top of the connector body to lock the terminals into the connector. Refer to connector cavity numbers as shown for proper terminal location.

Note: Either WHITE wire can be inserted into either cavity.



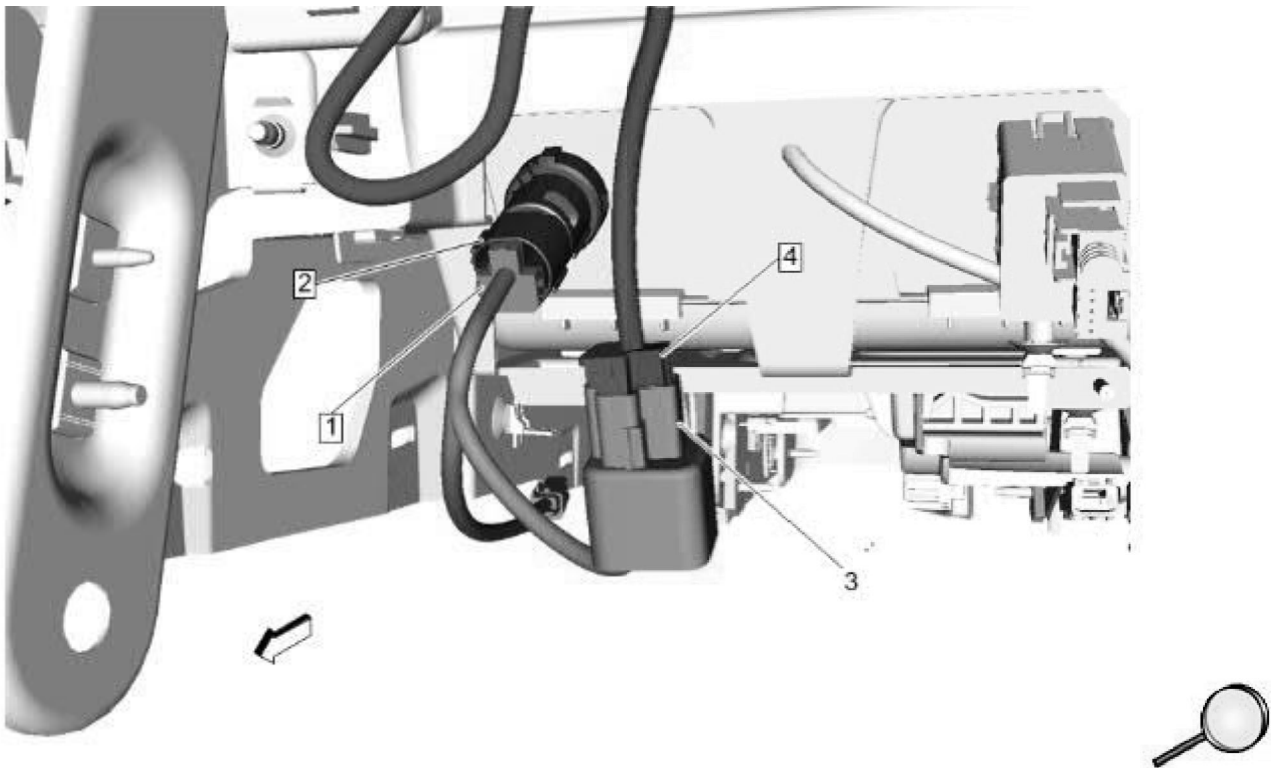
9. Route the cupholder LED harnesses (1) around the front of the cups then along inside surface of console and secure using adhesive pads (2).

Note: Properly route the harness to eliminate pinching/chaffed wires when reassembling console.

10. Reinstall the previously removed upper trim to the front floor console.

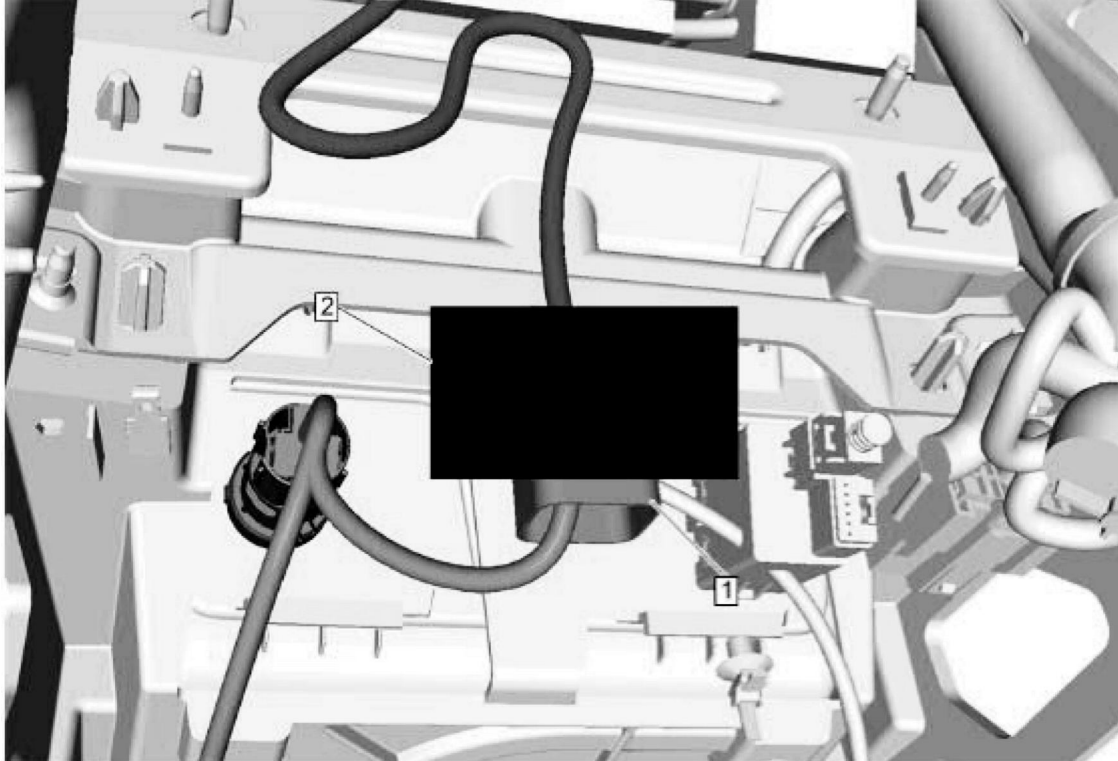
Install Power Harness

1. Position the front floor console assembly to the instrument panel.



2. Connect the power harness connector (1) to the auxiliary power outlet (2).

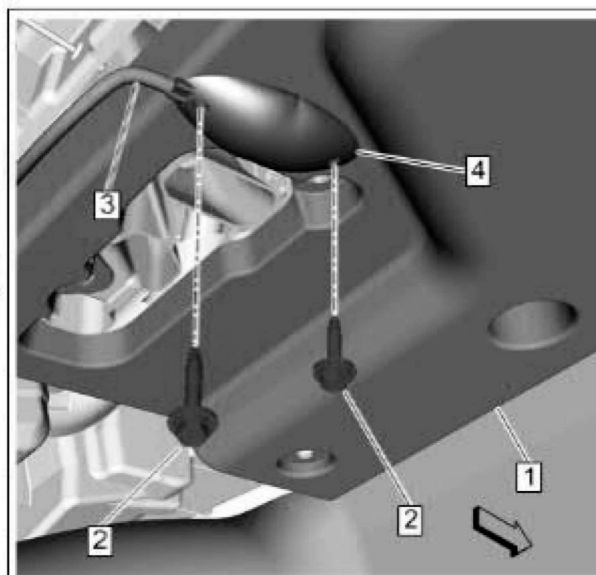
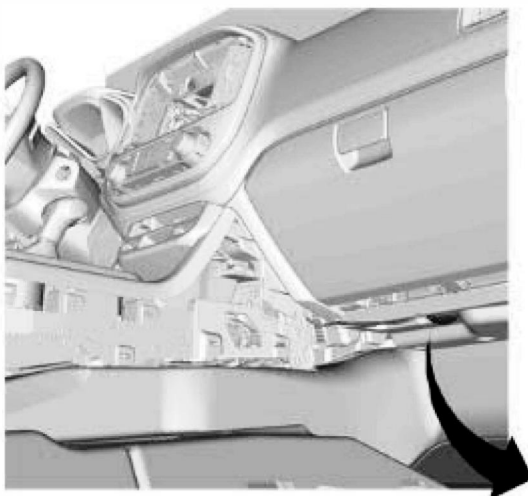
3. Connect the power harness connector (3) to the auxiliary power outlet harness connector (4).



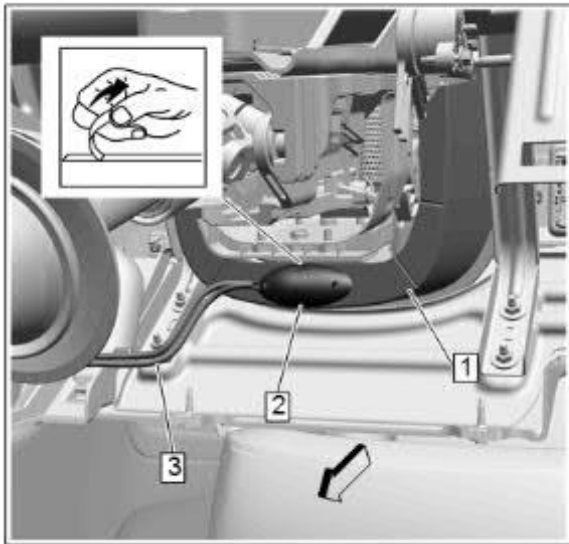
4. Using a foam pad (2), completely wrap around the auxiliary power harness in-line connection (1) and place connector in "pocket" in rear of console.
5. Secure the accessory power harness to the existing console harness using cable ties.
6. Gather cupholder harness, switch harness, and power harness together and continue routing alongside and cable tie to the existing console harness.
7. Reinstall console assembly to the vehicle.

Note: Do not install console side trim panels at this stage.

Installation of Footwell Lighting



1. With the wires (3) pointing towards the console, align the edge of footwell LED (4) flush with bottom edge of passenger side lower I/P trim panel (1).
2. Secure the footwell LED to the lower I/P trim panel with the self tapping screws (4).
Note: Do not overtighten screws.



3. Route the harness (3) and second footwell LED (2) under the IP toward the driver side area.
4. Attach footwell LED (2) to the flat surface behind the lower steering column cover (1) with the two way sticky tape provided.



Install Lighting Control Module

1. Temporarily connect all connectors to the lighting control module to verify system functionality.
 - Power/ground harness
 - Cupholder lamp harness
 - Switch harness
 - Footwell lamp harness
2. Connect negative battery cable and place ignition on (engine off) position. Test the system functionality before mounting the control module.

Note: Refer to owner's manual card.
3. Finish routing the harnesses toward the driver side of the center console area.
4. Carefully position the control module into position through the access hole on driver side of console with connectors facing forward.

Reassemble Vehicle

1. Gather the extra power/ground, cupholder and switch wiring harness lengths together and secure with cable ties to existing console harness forward of the lighting control module.

Important: Secure the power/ground harness 2-way connector properly to prevent rattles.
2. Gather the extra footwell illuminator harness together, coiling wires and securing under the center of the vehicle instrument panel. Use foam pad(s) to properly secure harness to the underside of the HVAC case.
3. Reinstall the remaining trim panels to the vehicle.
4. Supply the Owner's Manual insert to the customer.