



FUEL TANK SKID

FOR GM LIGHT DUTY TRUCKS

PLEASE READ ENTIRELY BEFORE YOU START

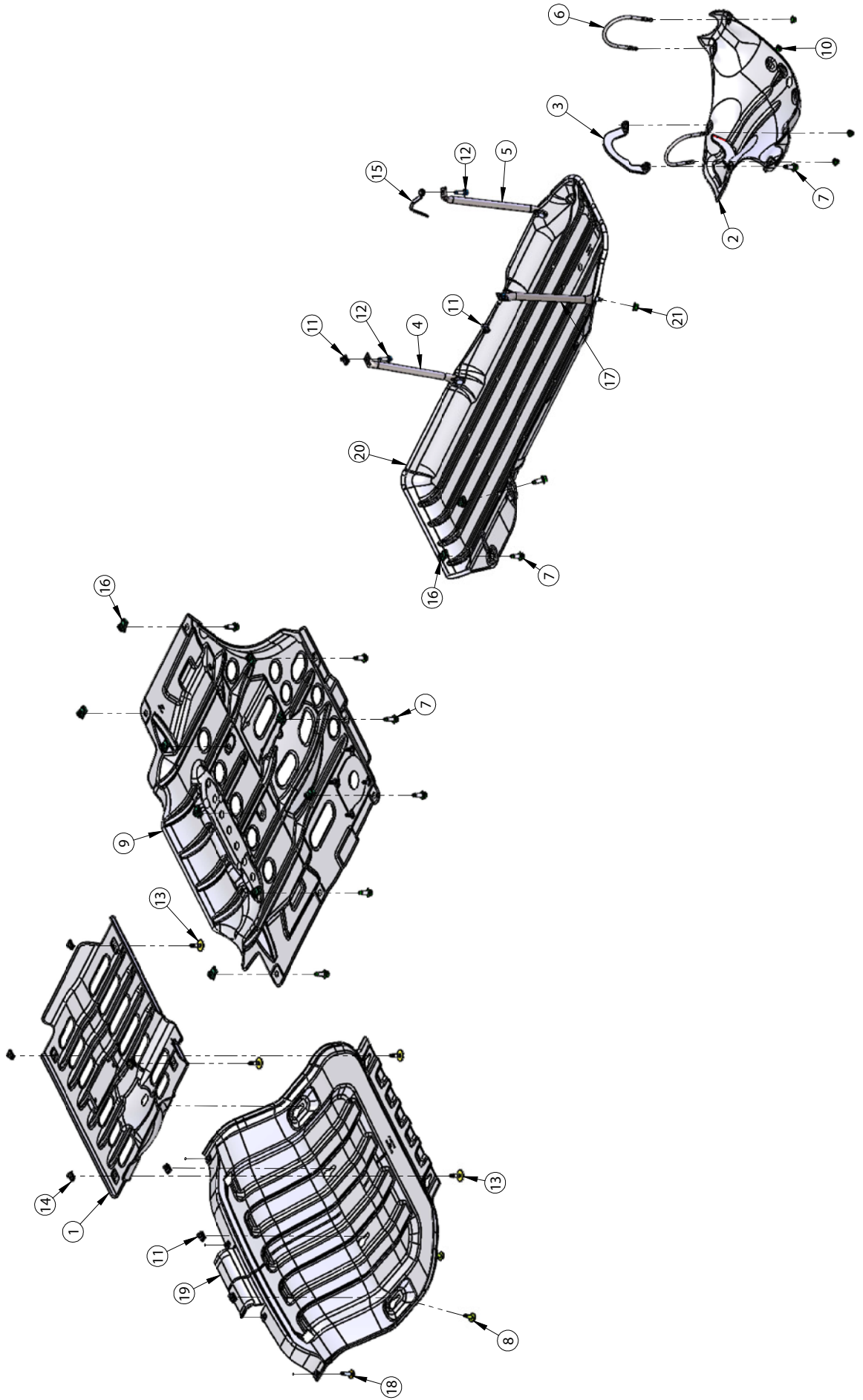
To guarantee a quality installation, we recommend reading these instructions thoroughly before beginning any work. These instructions assume a certain amount of mechanical ability and are not written nor intended for someone not familiar with auto repair.

NOTE: If your vehicle does not contain the holes in the frame, the supplied riv-nuts must be utilized. Hold the skid plate into position and mark where the holes must go on the frame. Drill a 17/32" hole were marked and insert the correct size riv-nut. You may now proceed with the installation of your skid plate.



SKID PLATES

FOR GM LIGHT DUTY TRUCKS





SKID PLATES

FOR GM LIGHT DUTY TRUCKS

ITEM NO.	PartNo	DESCRIPTION	QTY.
1	AT1P1200AA	FRONT IFS SKID, STAMPING, T1 LD SKID PLATES	1
2	AT1P0195AA	REAR DIFF SLIDER, WELDMENT, T1 LD SKID PLATES	1
3	AT1P0196AA	CLAMP, REAR DIFF, WELDMENT, T1 LD SKID PLATES	1
4	AT1P0142AA	WELDMENT, T1 LD SKID PLATES, TUBE FRT INR FUEL TANK	1
5	AT1P0147AA	WELDMENT, T1 LD SKID PLATES, TUBE RR INR FUEL TANK	1
6	AT1P1954AA	M8 U-BOLT, T1 LD SKID PLATES, REAR DIFF SLIDER	2
7	11588738	M10 X 1.5 X 25 HEX FLANGE BOLT	13
8	11611334	M8 X 1.25 X 30 HEX SCREW AND WASHER ASM	4
9	AT1P0013AA	ASSEMBLY, T1 LD SKID PLATES, T-CASE	1
10	11546377	M8 X 1.25 HEX FLANGE NUT	4
11	11548587	M8 X 1.25 U-NUT	6
12	11588724	M8 X 1.25 X 30 HEX FLANGE BOLT	2
13	11602140	M8 X 1.25 X 30 BOLT AND WASHER	4
14	11548585	M8 X 1.25 U-NUT	4
15	AT1P0141AA	WELDMENT, T1 LD SKID PLATES, RR INR FUEL TANK FLAG NUT	1
16	11546583	M10 X 1.5 U-NUT (PANEL THICKNESS RANGE 1.5-5.5)	11
17	AT1P0046AA	TUBE W/CAPTURED BOLT, RR OTR FUEL TANK, T1 LD SKID PLATES	1
18	11603624	M8 X 1.25 X 34.05 13mm HEX SOC, M-PT	4
19	AT1P0014AA	RADIATOR SKID, ASSEMBLY, T1 LD SKID PLATES	1
20	AT1P1400AA	FUEL TANK SKID, STAMPING, T1 LD SKID PLATES	1
21	11546366	M10 X 1.5 HEX FLANGE LOCK NUT	3



NOTE: If installing the optional fuel tank skid plate brace that avoids drilling on some trucks, please skip step 1 figure 2, as well as step 5. Step 7 highlights how to install this brace.

1. Install four U-nuts in the frame at locations shown (fig. 1-3).

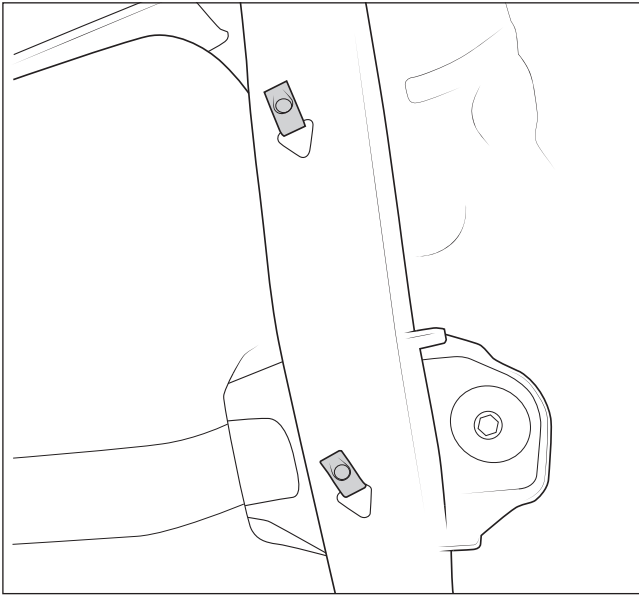


Figure 1: Driver Side Frame Rail

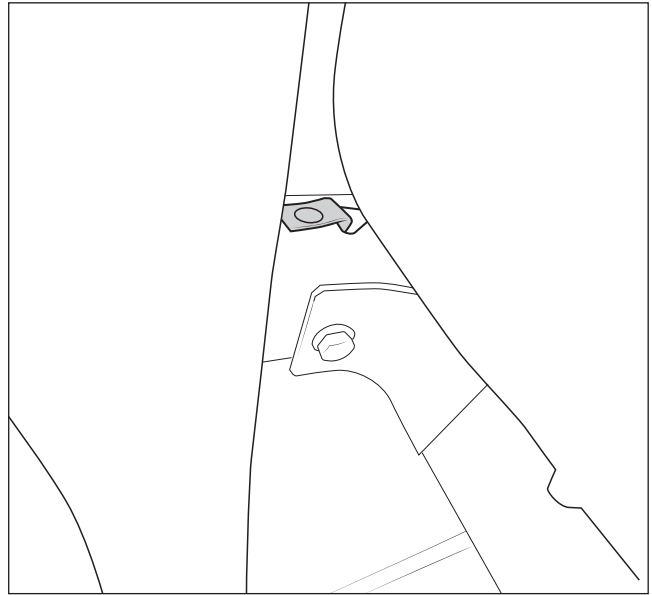


Figure 2: Driver side above fuel tank strap

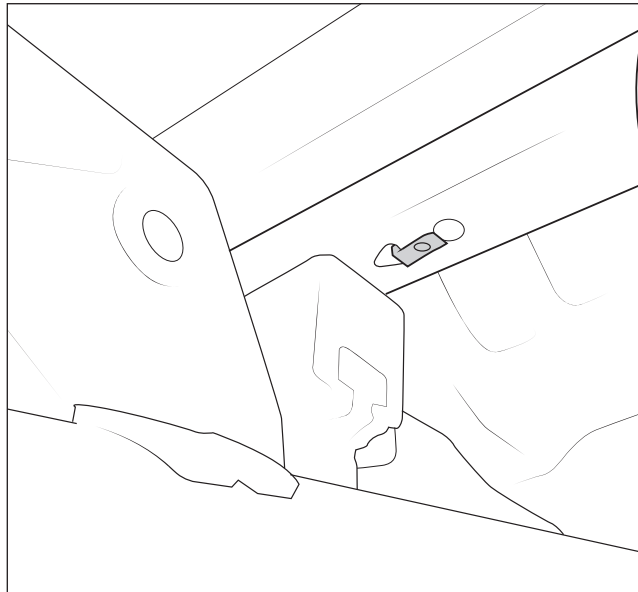


Figure 3: Passenger side of fuel tank above drive shaft



2. Pass the handle nut through the frame rail on the passenger side of the fuel tank towards the rear of the vehicle (fig. 4).

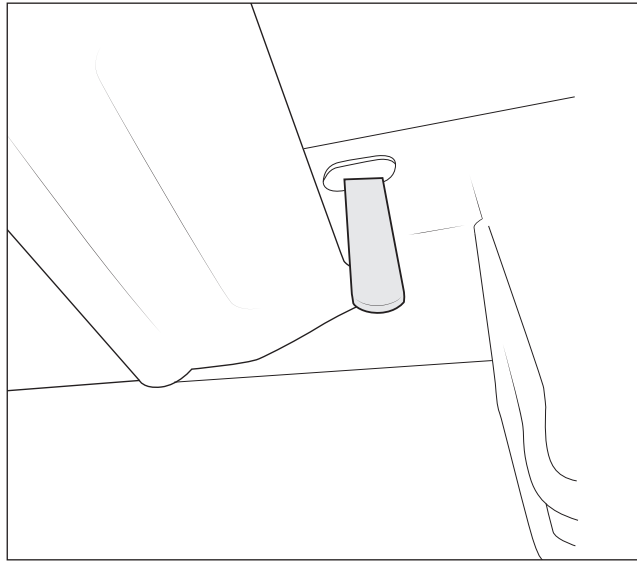


Figure 4

3. Loosely install the first pencil brace, part number AT1P0147, to the handle nut with an M8 bolt (fig. 5).

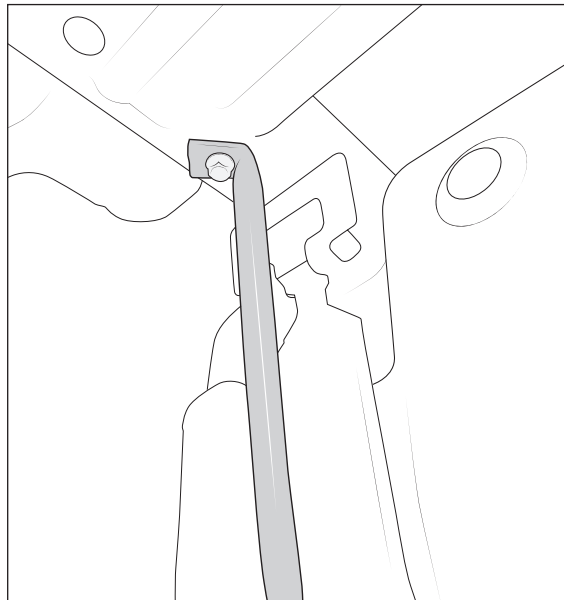


Figure 5



- Loosely install the next pencil brace, part number AT1P0142, to the frame with an M8 bolt (fig. 6).

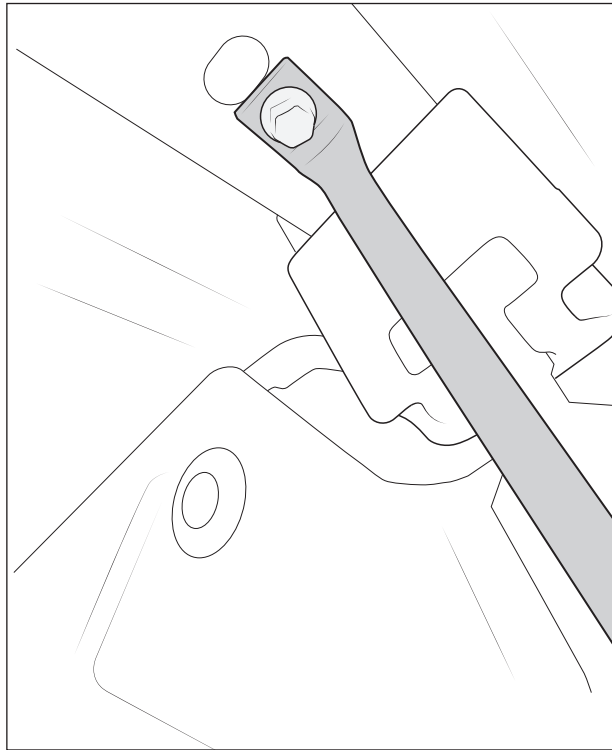


Figure 6

- Loosely install the final pencil brace, part number AT1P0146, to the frame with an M8 bolt (fig. 7).
NOTE: To install this pencil brace it is best to use a long extension and go over the top of the fuel tank

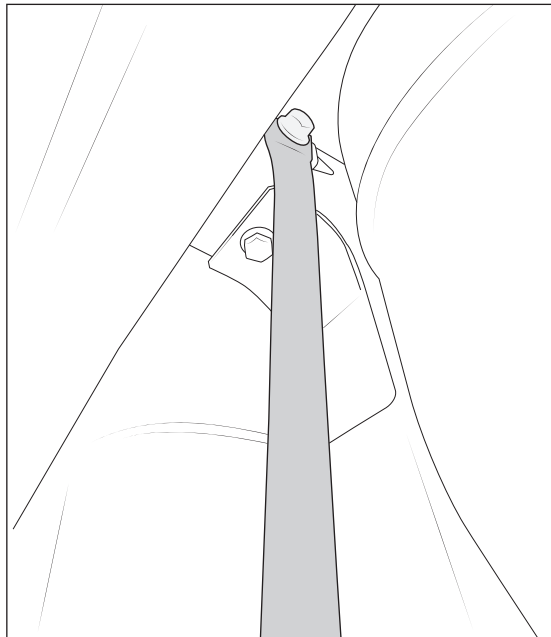


Figure 7



6. Attach the skid plate to the truck (fig. 8):
 - A. Start by aligning the 3 pencil braces and lightly securing each one with an M10 lock nut
 - B. Loosely secure the two M10 bolts to the driver side of the frame

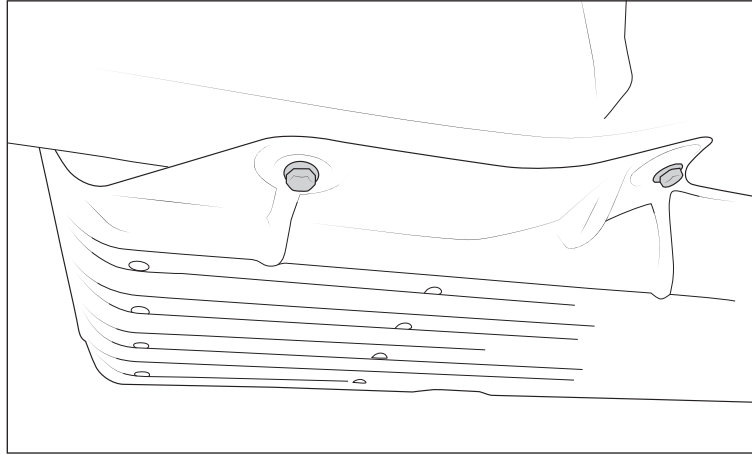


Figure 8

7. Optional fuel tank skid plate pencil brace installation (fig. 9).
 - A. Remove the bolt retaining the fuel tank strap. Set this aside as it will be re-used. Ensure to support the weight of the fuel tank while this bolt is removed
 - B. Re-install the bolt this time passing through the pencil brace.
 - C. secure the pencil brace with the provided nut and bolt. Ensure that the bolt head is on the inboard side of the skid plate.

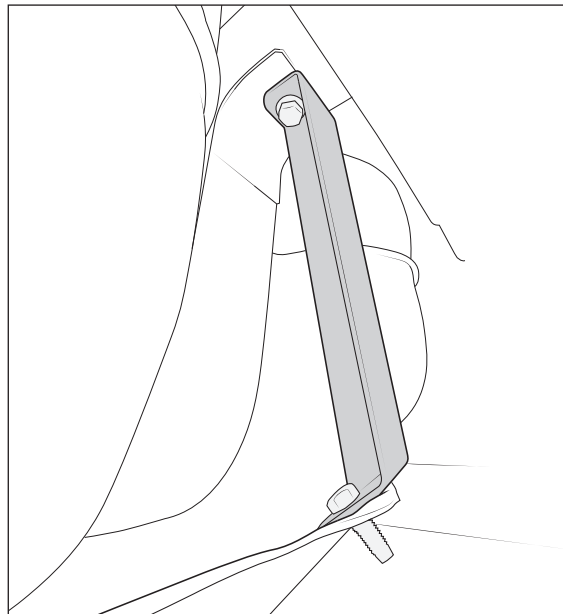


Figure 9

8. Once everything is attached, torque to the following specs:
 - M10 40 ft-lbs.**
 - M8 18 ft-lbs.**