



SNORKEL

2023 CHEVY COLORADO
& GMC CANYON

PLEASE READ BEFORE YOU START

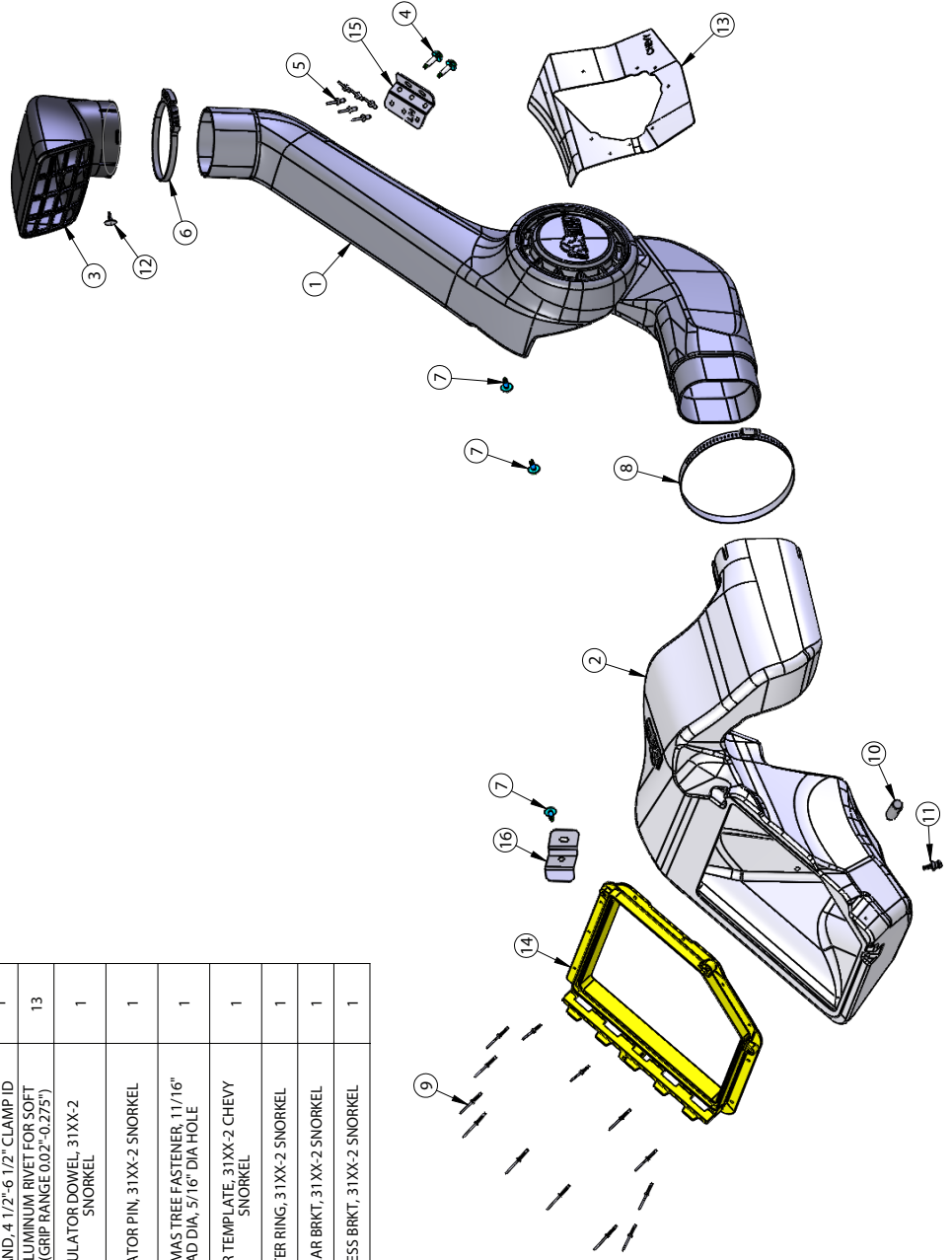
To guarantee a quality installation, we recommend reading these instructions thoroughly before beginning any work. These instructions assume a certain amount of mechanical ability and are not written nor intended for someone not familiar with auto repair.



SNORKEL

2023 CHEVY COLORADO

ITEM NO.	SW SERIAL #	PartNo	DESCRIPTION	QTY.
1	D047578	A32Z2000AA	MAIN BODY, 31XX-2 CHEVY SNORKEL	1
2	D047244	A32Z1000AA	LOWER BOX, 31XX-2 SNORKEL	1
3	D031625	AJKZ1018AA	AIR RAM, JK SNORKEL, 2ND GEN	1
4	D029819	11570775	M6 X 1.0 X 2.5 PAN HEAD BOLT AND CONICAL WASHER ASM	2
5	97526A401	AEV97023AA	3/16" ALUMINUM RIVET BLACK (GRIP RANGE 0.128"-0.25")	6
6	9579K95	AEV97026AA	CLAMP, 4" AIR RAM, PLASTIC SNAP-GRIP	1
7	D042610	11519375	M6 X 1.0 X 1.6 HEX SCREW AND WASHER ASM	3
8	5415K87	AEV97027AA	HOSE CLAMP WORM-DRIVE, 9/16" WIDE BAND, 4 1/2 - 6 1/2" CLAMP ID	1
9	97545A120	AEV97025AA	1/8" ALUMINUM RIVET FOR SOFT MAT'L (GRIP RANGE 0.02"-0.275")	13
10	D052052	A32Z1006AA	INSULATOR DOWEL, 31XX-2 SNORKEL	1
11	D052059	A32Z1008AA	INSULATOR PIN, 31XX-2 SNORKEL	1
12	90221A118	P-AV017664	CHRISTMAS TREE FASTENER, 11/16" HEAD DIA, 5/16" DIA HOLE	1
13	D051969	A32Z2001AA	FENDER TEMPLATE, 31XX-2 CHEVY SNORKEL	1
14	D047247	A32Z1001AA	ADAPTER RING, 31XX-2 SNORKEL	1
15	D049630	A32Z1004AA	A-PILLAR BRKT, 31XX-2 SNORKEL	1
16	D049678	A32Z1005AA	HARNES BRKT, 31XX-2 SNORKEL	1

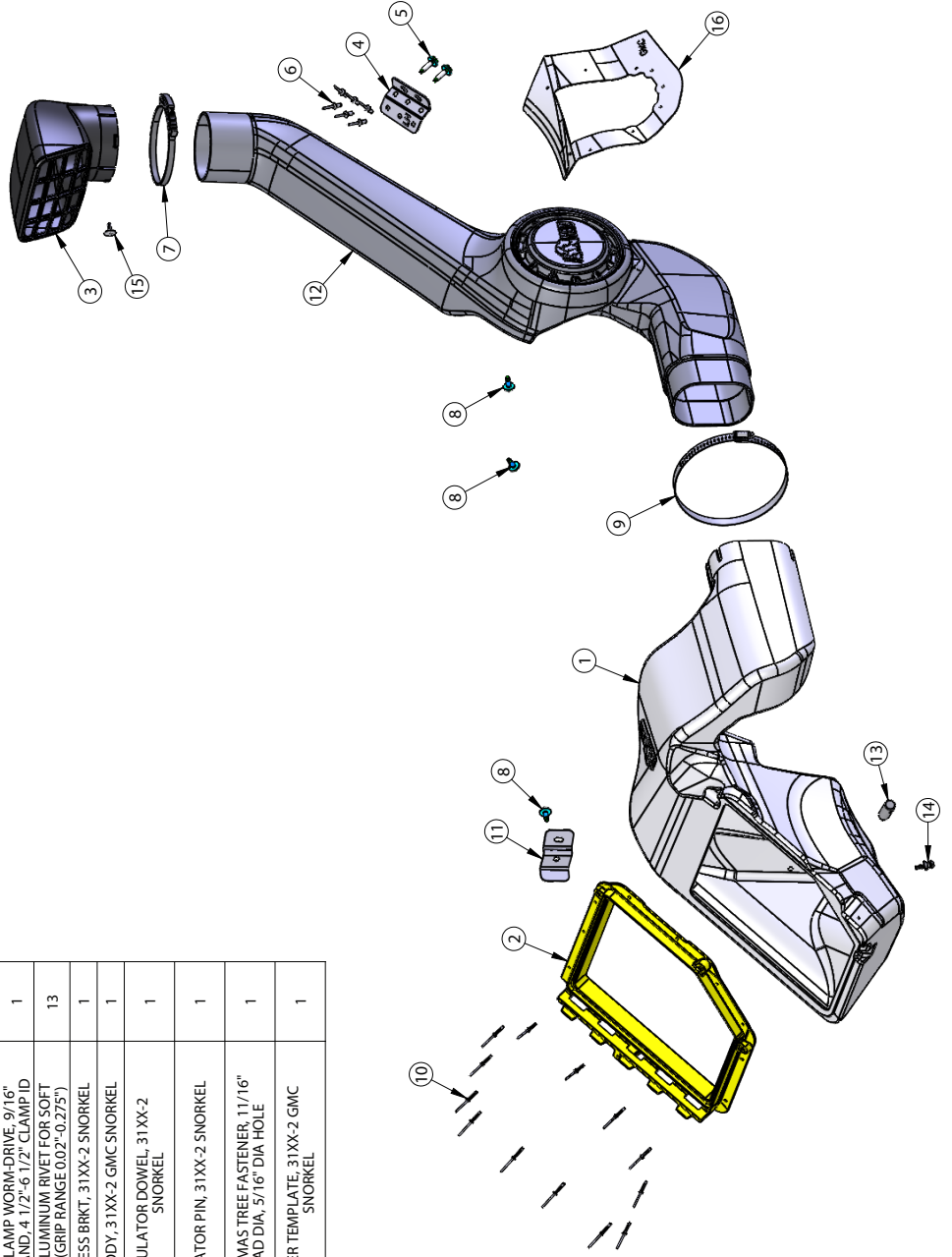




SNORKEL

2023 GMC CANYON

ITEM NO.	SW SERIAL #	PartNo	DESCRIPTION	QTY.
1	D047244	A32Z1000AA	LOWER BOX, 31XX-2 SNORKEL	1
2	D047247	A32Z1001AA	ADAPTER RING, 31XX-2 SNORKEL	1
3	D031625	AJKZ1018AA	AIR RAM, JK SNORKEL, 2ND GEN	1
4	D049630	A32Z1004AA	A-PILLAR BRKT, 31XX-2 SNORKEL	1
5	D029819	11570775	M6 X 1.0 X 25 PAN HEAD BOLT AND CONICAL WASHER ASM	2
6	97526A401	AEV97023AA	3/16" ALUMINUM RIVET BLACK (GRIP RANGE 0.126"-0.25")	6
7	9579K95	AEV97026AA	CLAMP, 4" AIR RAM, PLASTIC SNAP-GRIP	1
8	D042610	11519375	M6 X 1.0 X 16 HEX SCREW AND WASHER ASM	3
9	5415K87	AEV97027AA	HOSE CLAMP WORM-DRIVE, 9/16" WIDE BAND, 4 1/2"-6 1/2" CLAMP ID	1
10	97545A120	AEV97025AA	1/8" ALUMINUM RIVET FOR SOFT MAT'L (GRIP RANGE 0.02"-0.275")	13
11	D049678	A32Z1005AA	HARNES BRKT, 31XX-2 SNORKEL	1
12	D048364	A32Z3000AA	MAIN BODY, 31XX-2 GMC SNORKEL	1
13	D052052	A32Z1006AA	INSULATOR DOWEL, 31XX-2 SNORKEL	1
14	D052059	A32Z1008AA	INSULATOR PIN, 31XX-2 SNORKEL	1
15	90221A118	P-AV017664	CHRISTMAS TREE FASTENER, 11/16" HEAD DIA, 5/16" DIA HOLE	1
16	D051973	A32Z3001AA	FENDER TEMPLATE, 31XX-2 GMC SNORKEL	1





AEV RECOMMENDS A/C EVACUATION BEFORE INSTALLATION OF SNORKEL TO PREVENT ANY DAMAGE TO A/C RETURN LINES. RE-CHARGE AFTER SNORKEL INSTALLATION IS COMPLETE.

BEFORE YOU BEGIN THE INSTALLATION, BE SURE TO CLEAN VEHICLE THOROUGHLY, INCLUDING THE ENGINE COMPARTMENT.

A. VEHICLE PREPARATION

1. Lift vehicle and remove the driver side wheel and tire.
2. Remove the 17 M4-T15 torx screws and 1 push pin holding the wheel liner in place.
3. Remove the wheel liner and SAVE.
4. Using a suitable plastic trim tool, carefully release the air inlet grille panel extension clip (fig 1).

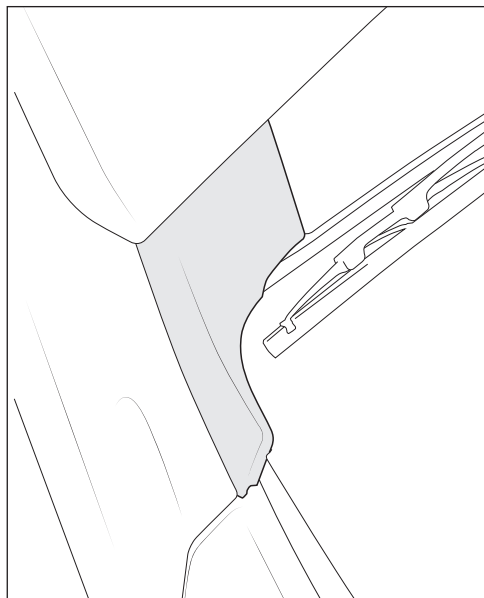


Figure 1

5. Align the supplied template along upper right side of fender and mark hole locations (fig. 2).

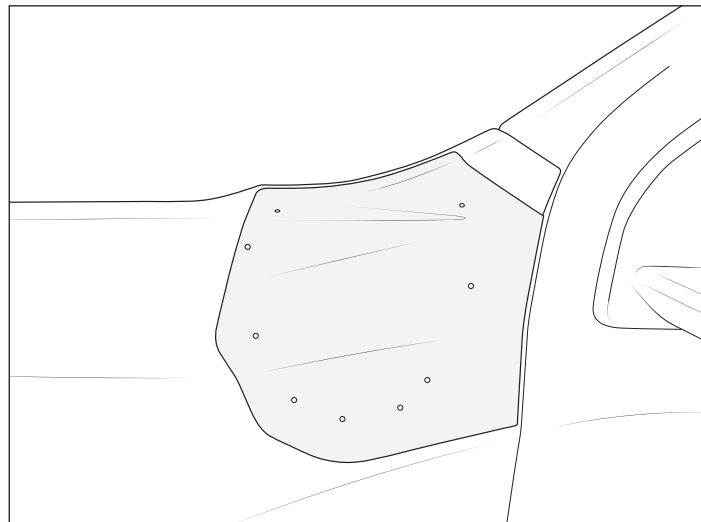


Figure 2



6. Remove template and center punch all 9 locations.
7. Drill out hole locations based on your vehicle:
 - A. CHEVY
 - i. Center punch and drill 1/16" pilot holes at each location.
 - ii. Drill #1 holes to 1" using a hole saw.
 - iii. Drill #2 holes to 5/16".
 - B. GMC
 - i. Center punch and drill 1/16" pilot holes at each location.
 - ii. Drill **top two #1** holes to 1/2"
 - iii. Drill remaining #1 holes to 1" using a hole saw
 - iv. Drill #2 holes to 5/16"

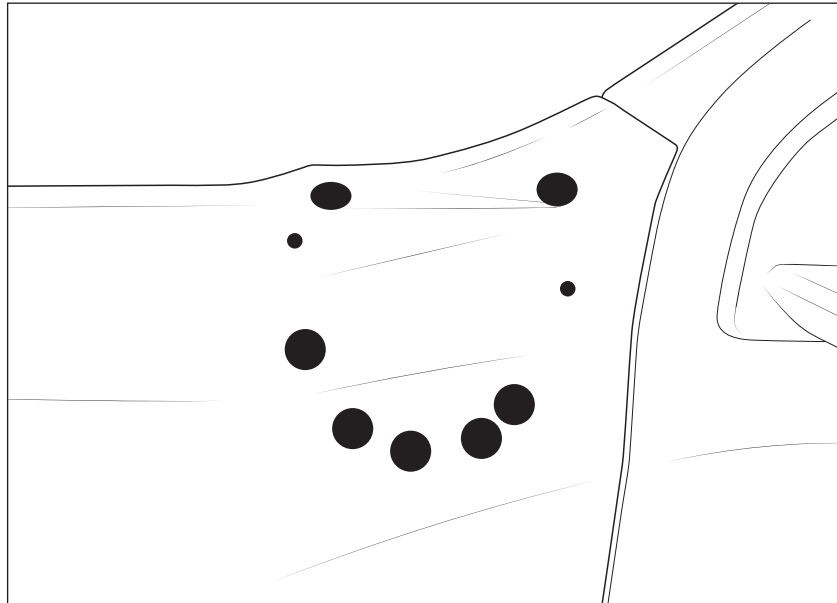


Figure 3



8. Use painters tape to layout tangent lines between the larger holes (fig. 4).

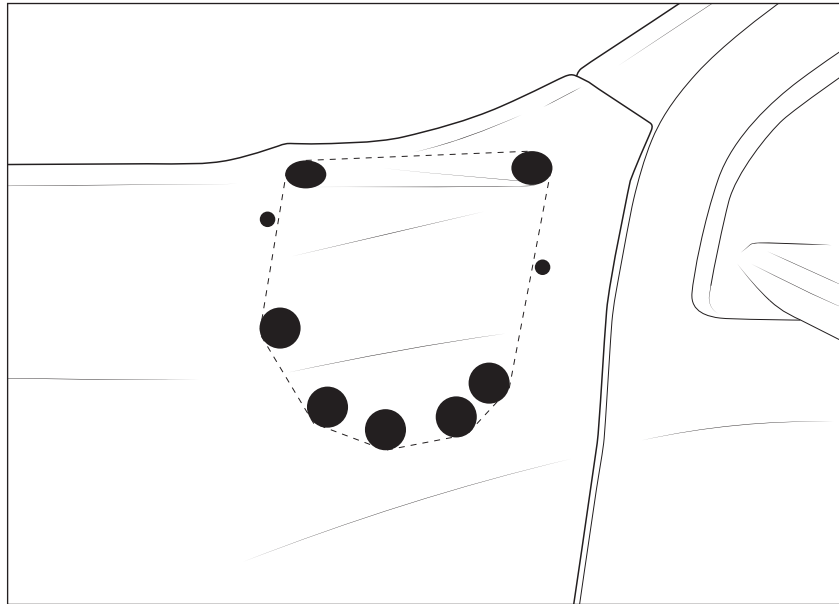


Figure 4

9. Using an air saw or electric or air powered abrasive cut-off wheel, carefully cut on lines to make one large cut-out. NOTE: Be sure to wear proper safety equipment including gloves and eye protection. Always cover any exposed window glass or painted surface to protect from sparks.
10. Use touch-up pain or rust inhibitor on all bare metal edges.



11. Attach A-Pillar Bracket to A-Pillar (fig 5):

- A. Using bottom edge of the A-pillar bracket, measure 9" (through center) of A-pillar and align bottom edge.
- B. Mark holes and drill to 3/16"
- C. Using the supplied 3/16" Aluminum Rivets attach A-Pillar Bracket to A-Pillar.

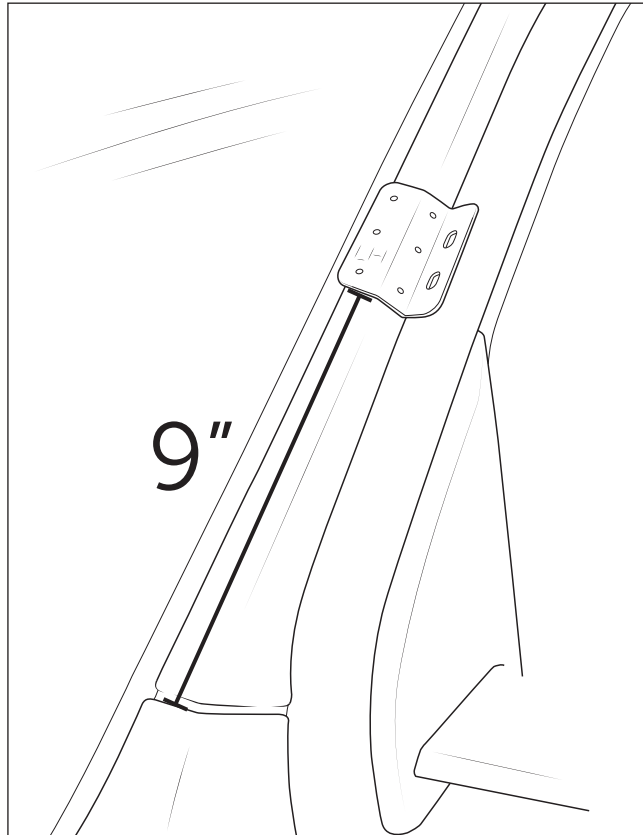


Figure 5

II. DISASSEMBLY

- 1. Remove the driver side fender following the factory service manual for your vehicle. NOTE: Mask the driver's side door 4-6" in to avoid scratching.
- 2. Disconnect A/C return line (metal line). Self-connector, need to unlock by twist at connection point/ break in hose. **NOTE: Be sure you properly discharged the AC.**
- 3. Remove Airbox:
- 4. Remove air inlet behind front fascia/in front air baffle:
Air inlet is two pieces, make disassemble before removing



III. INSTALLATION

1. Assemble AEV 'Lower' Airbox to the factory Upper Airbox:
 - A. Disassemble upper and lower airbox, keeping MAF sensor apart of upper airbox. SAVE the 3 self tapping screws needed for re-use *photo [11]
 - B. Attach Airbox Adapter Ring to AEV Lower Airbox using supplied 1/8" rivets (fig. 6).

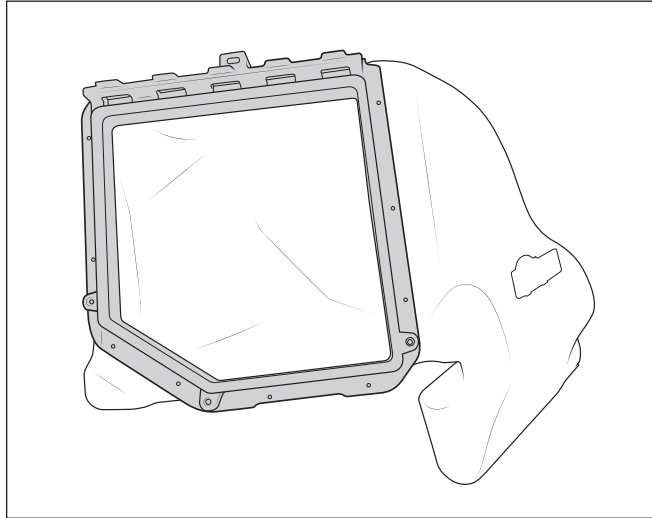


Figure 6

- C. Attach Harness Bracket to AEV Lower Airbox using supplied hardware (fig. 7).

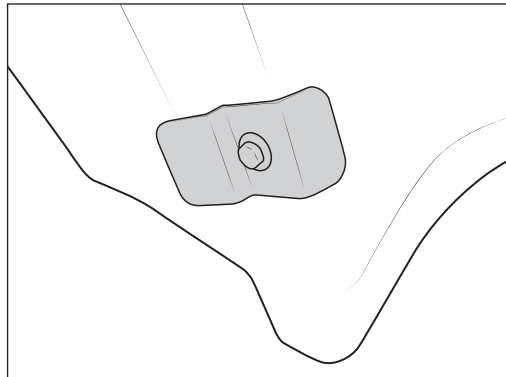


Figure 7

- D. Screw in the supplied aluminum Insulator Dowel and fit with rubber grommet found on the factory airbox (fig. 8).

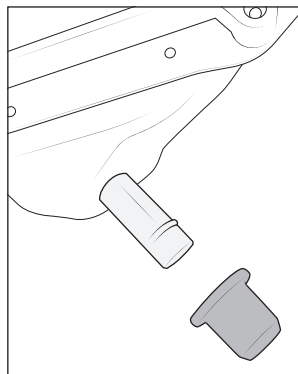


Figure 8



- E. Attach Insulator Pin to AEV lower air box (fig. 9).

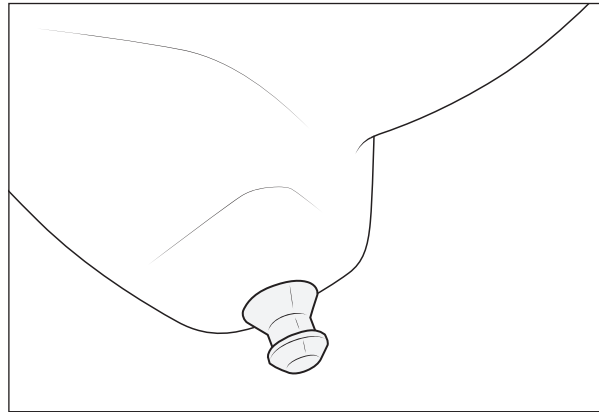


Figure 9

- 2. Install Airbox into Vehicle (fig. 10):
 - A. Insulator Pin/Dowel/18mm hole are stabilizing positions to load airbox on.
 - B. Wraps over 'feasm'/channel female end exposed with fender off.
 - C. Electric harness attaches to Harness Bracket in rear of lower airbox.

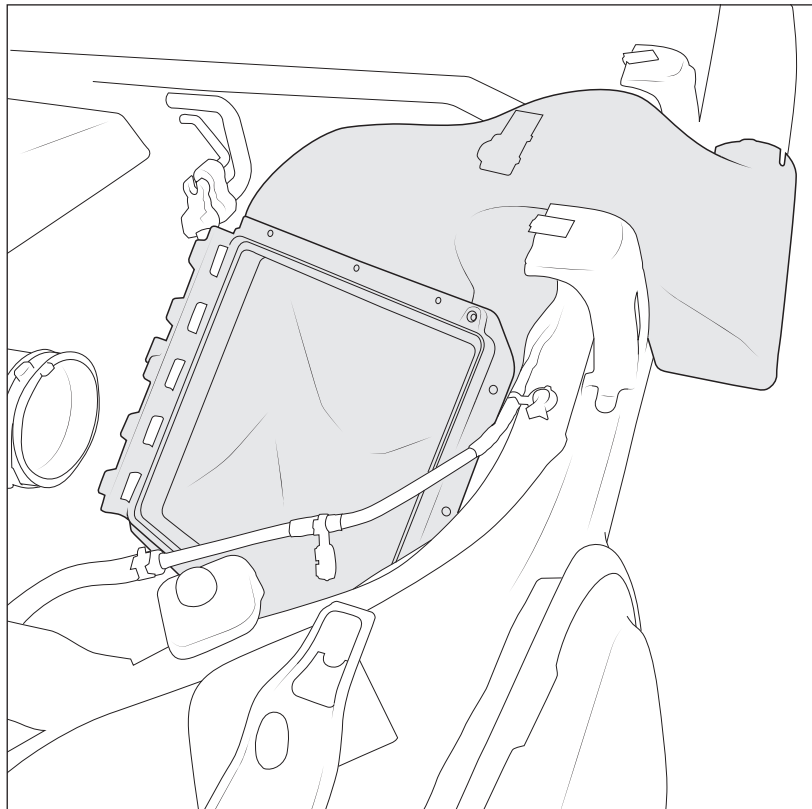


Figure 10



- D. Re-install air filter and Attach factory upper airbox to AEV Lower Airbox using 3 self-tapping screws from disassembly. Re-connect MAF sensor, AC lines, and Intake hose (fig. 11).

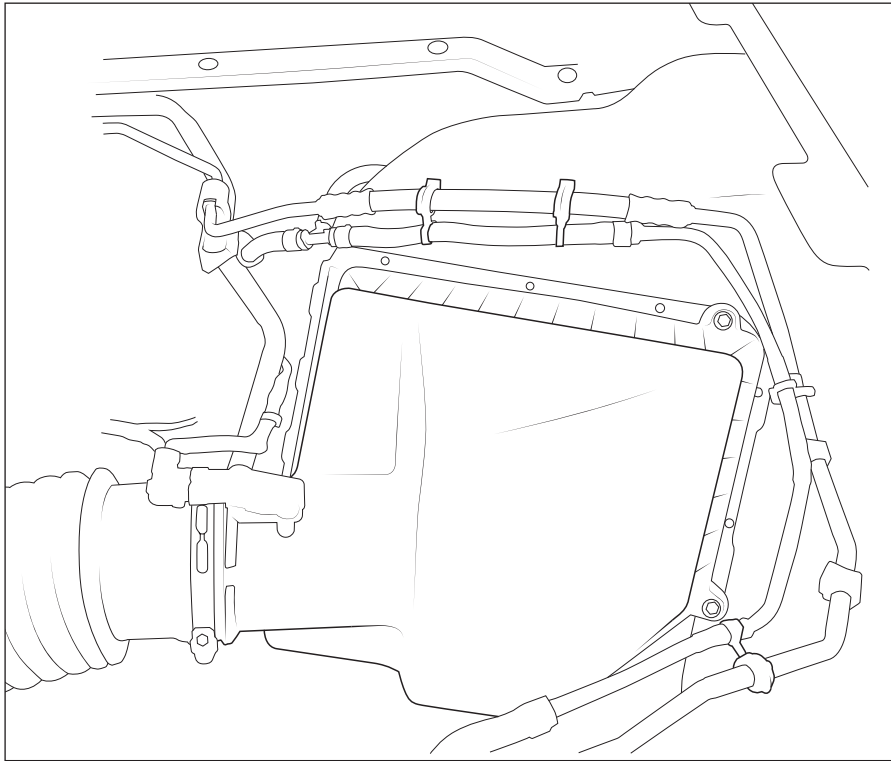


Figure 11

- 3. Install Snorkel Body onto Fender using supplied hardware.

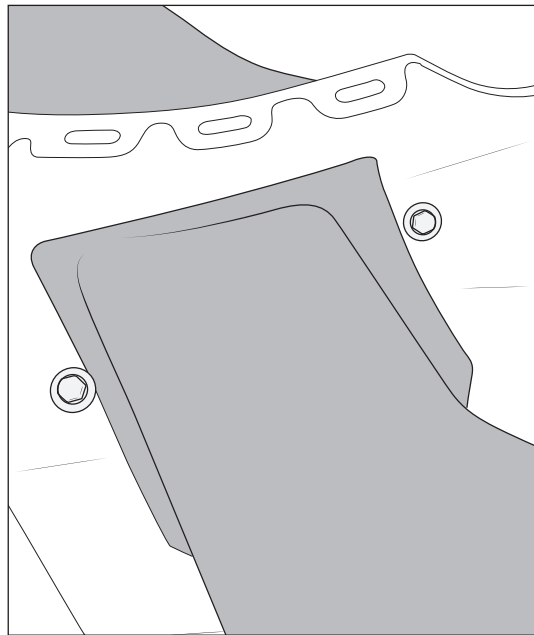


Figure 12



4. Re-Install Fender with Snorkel Attached (additional 3rd person might help ease installation).
 - A. Align male and female openings of the snorkel body and AEV airbox.
 - B. Use the supplied Hose Clamp to secure connection.
 - C. Using two M6x1.0x16mm bolts and washers, attach upper main body to A-Pillar Bracket (fig. 13).
 - D. Carefully Re-attach fender, mindful of driver side door.

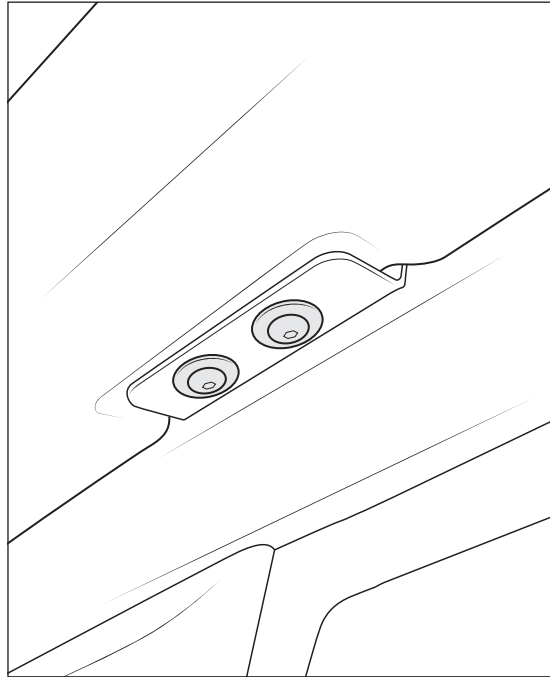


Figure 13



IV. INSTALL AIR RAM

1. Slide the supplied hose clamp over the Snorkel body.
2. Attach the Air Ram and adjust so it is forward facing.
3. Mark the hole location on the Snorkel Body and drill a 5/16" hole (fig. 14).

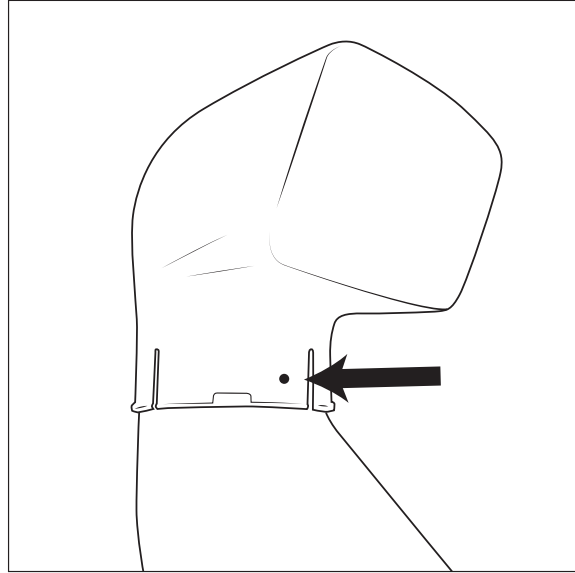


Figure 14

4. Install push pin.
5. Slide the hose clamp up around the Air Ram and tighten.