



LED LIGHT BRACKET

FOR BISON FRONT BUMPER



PLEASE READ BEFORE YOU START

To guarantee a quality installation, we recommend reading these instructions thoroughly before beginning any work. These instructions assume a certain amount of mechanical ability and are not written nor intended for someone not familiar with auto repair.

| INCLUDED PARTS | QTY | REQUIRED TOOLS |
|------------------------------|-----|----------------|
| Fog Light Adjustable Bracket | 2 | |
| Fog Light RH Bracket | 1 | |
| Fog Light LH Bracket | 1 | |
| Hardware Pack | 1 | |



DISASSEMBLY

1. Remove wheel liner closeouts (fig. 1).
2. Remove fog lamp bezel (fig. 2).
3. Unplug factory light.
4. Remove and SAVE 3 M6 Bolts holding the factory fog lamp (fig. 3).

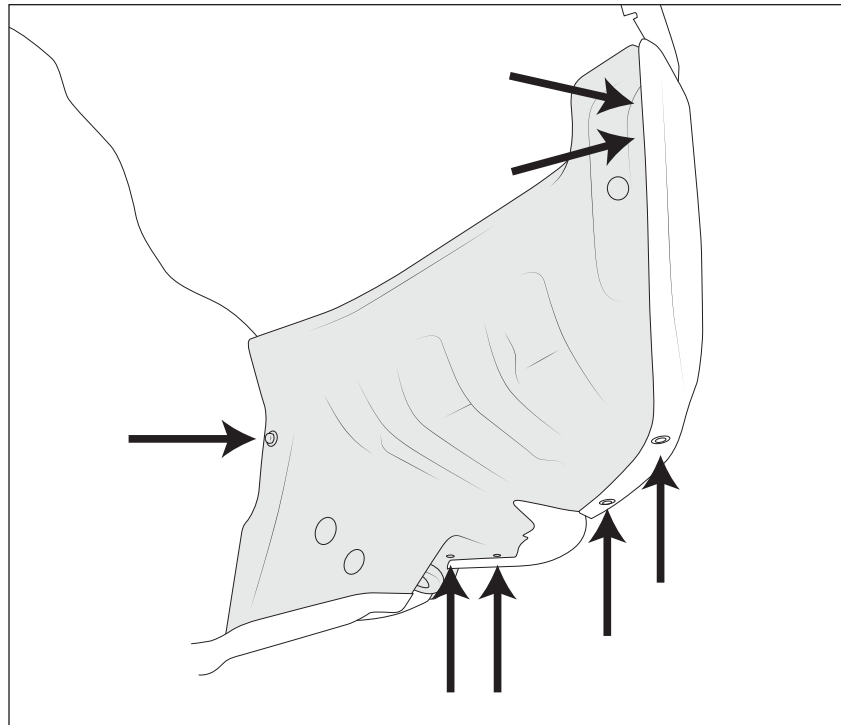


Figure 1

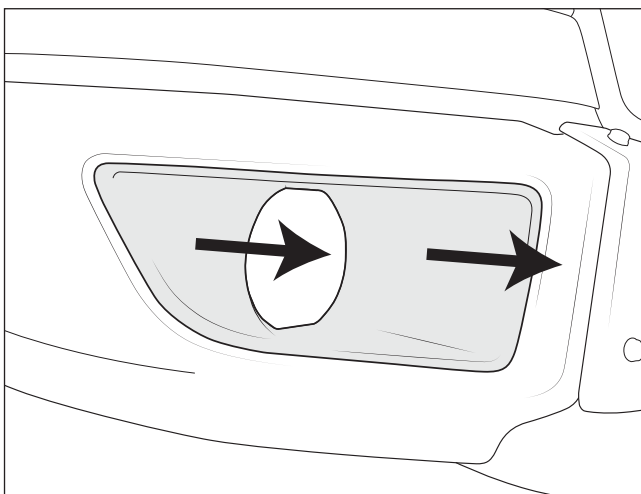


Figure 2

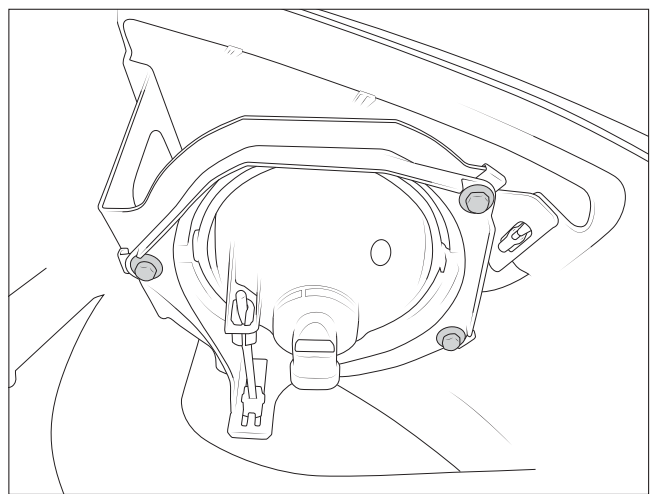


Figure 3



PREPARE FOR INSTALLATION

1. Assemble Brackets

A. Using supplied M6 bolts and nuts loosely install adjuster brackets onto main assemblies.

NOTE: Install adjuster brackets in correct orientation (fig. 4).

B. Install supplied U-nuts onto bracket assemblies as shown (fig. 4).

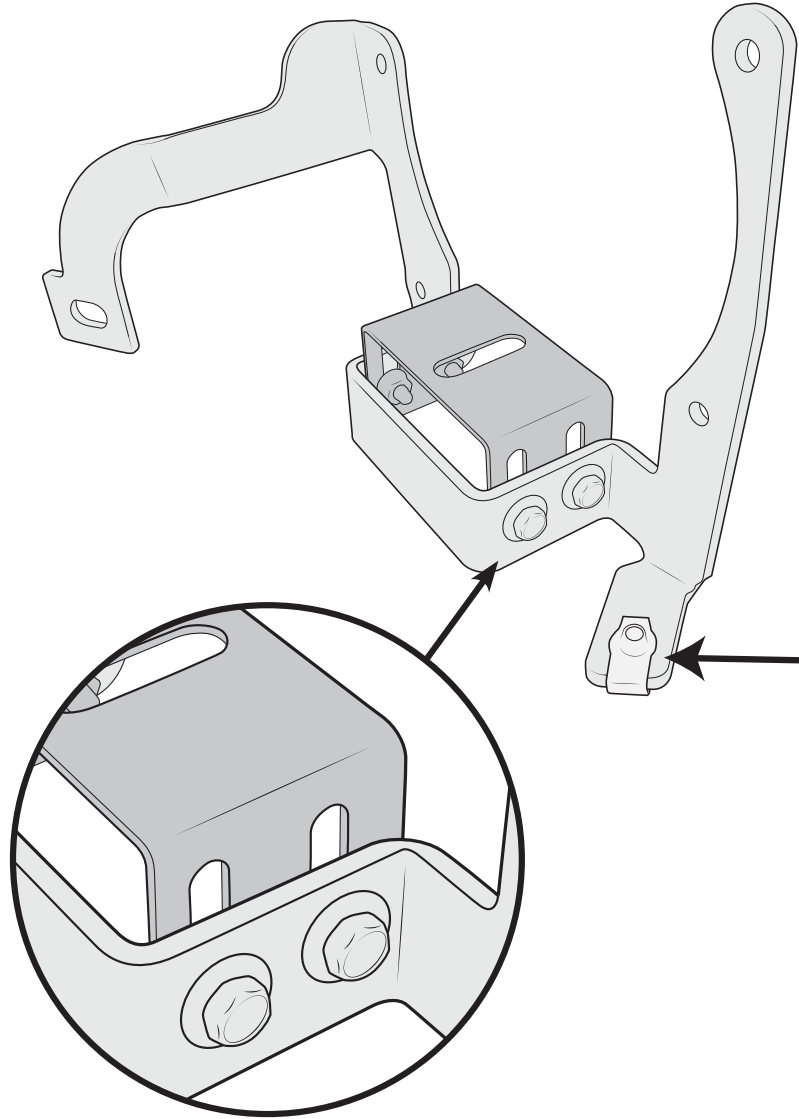


Figure 4



2. Un-install pencil brace at bumper side, loosen on frame side (fig. 5).

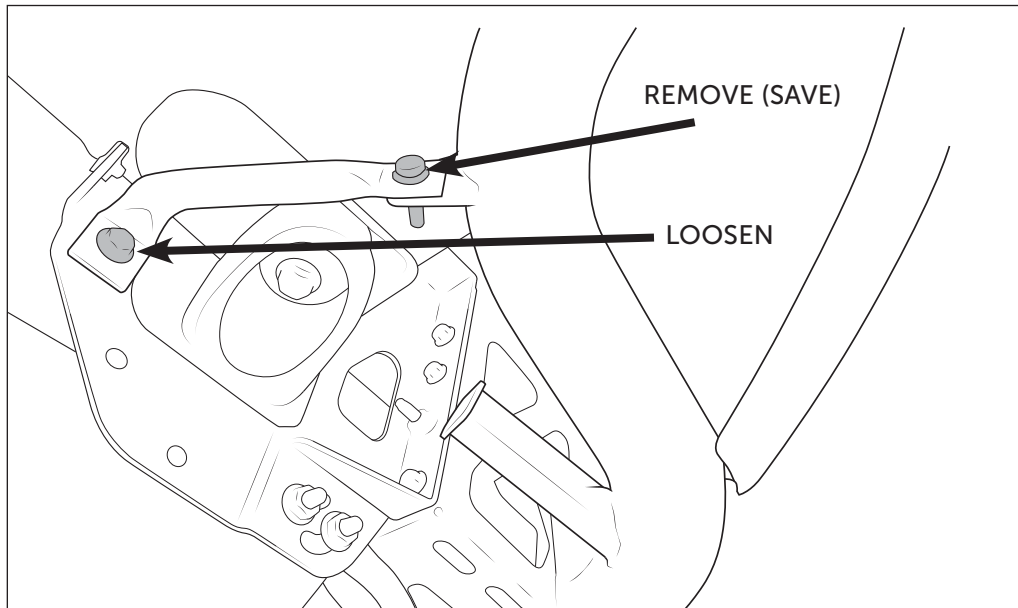


Figure 5

INSTALLATION

1. Route Light Bracket into position, up and over the bumper tube (fig. 6).

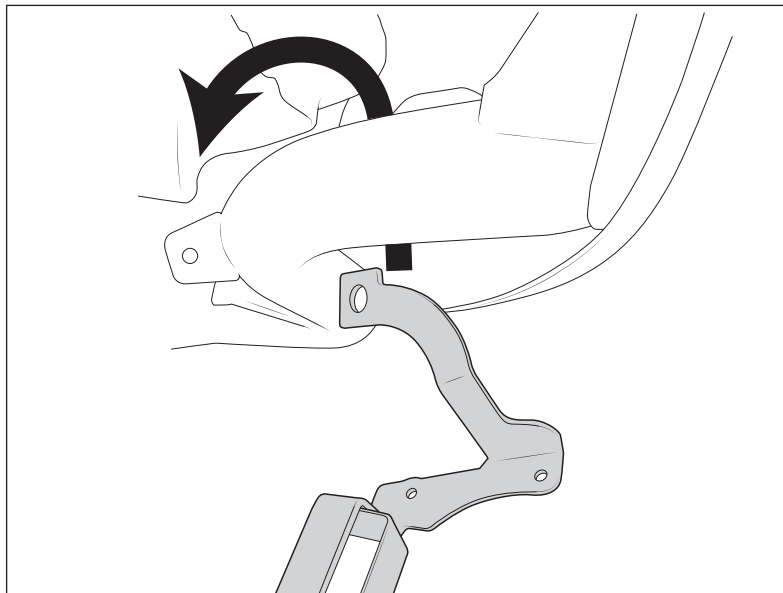


Figure 6



2. Bolt assembly to the existing Bracket on the bumper using 3 M6 bolts saved from disassembly (fig. 7).

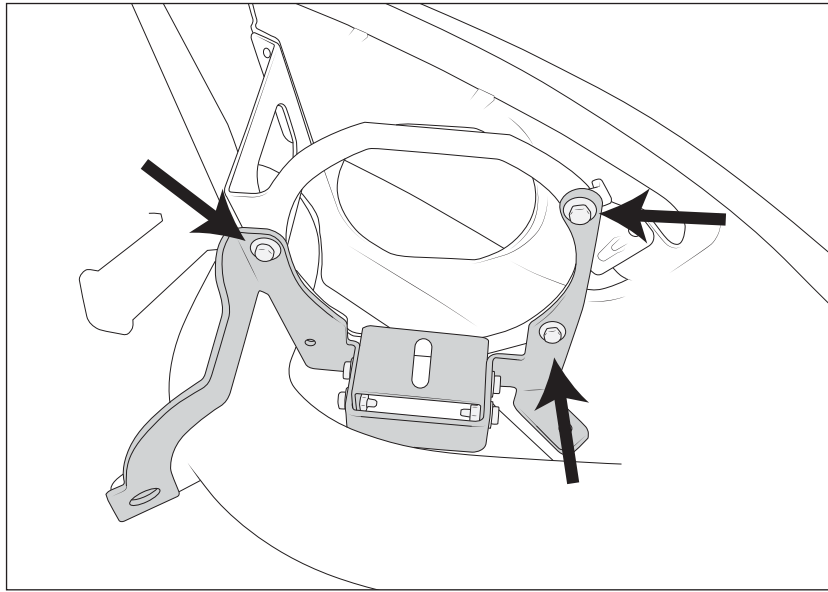


Figure 7

3. Reinstall pencil brace. The light bracket should be between the bumper and the pencil brace (fig. 8).

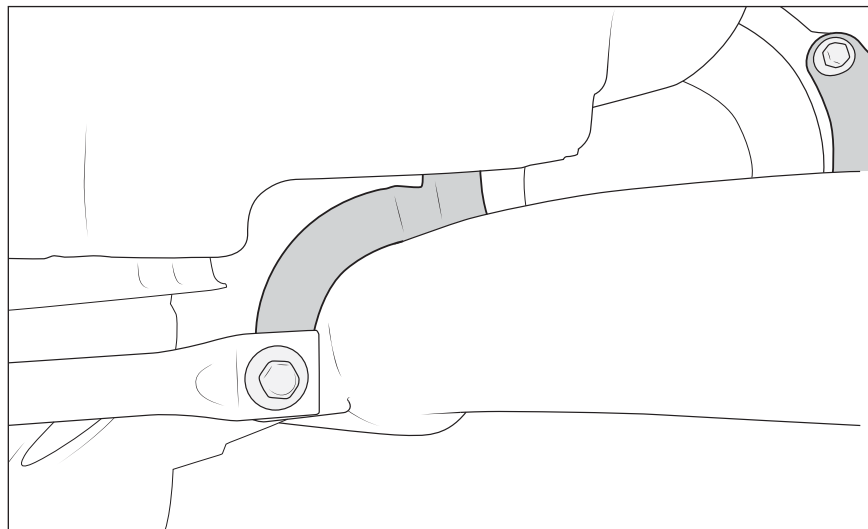


Figure 8

4. Install light onto bracket and aim using the Adjuster bracket.
5. Tighten Adjuster bracket.
6. Plug in wiring.



7. Reinstall wheel liner closeouts. Fit the wheel liner between the bumper and light bracket (fig. 9), and use the supplied M6 bolt to fasten to the U-nut in this location (fig. 10).

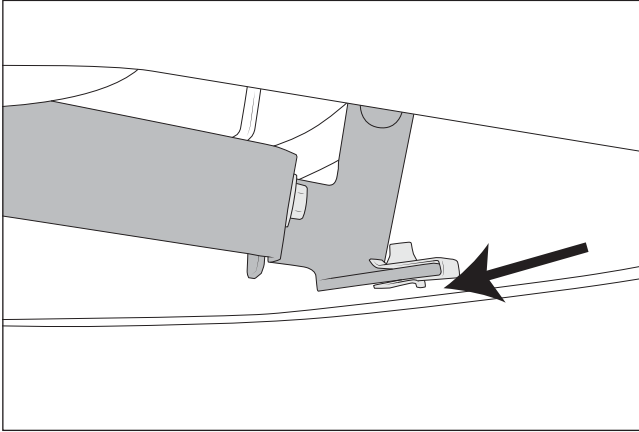


Figure 9

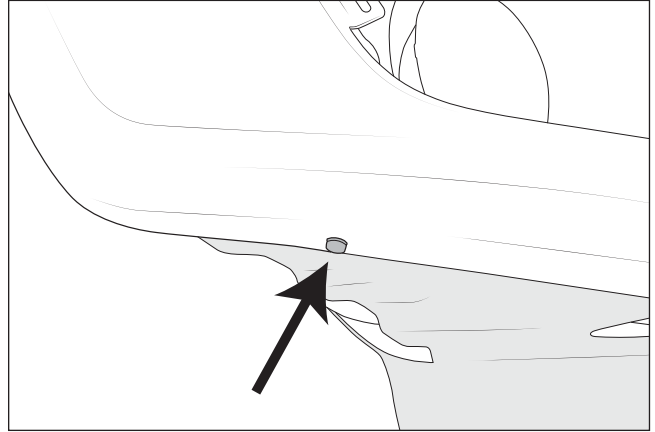


Figure 10