



# LOW TUBE CENTER

FOR CHEVY ZR2 BISON



AEV30329AC  
Last Updated: 05/29/19

INSTALLATION GUIDE



## PLEASE READ BEFORE YOU START

To guarantee a quality installation, we recommend reading these instructions thoroughly before beginning any work. These instructions assume a certain amount of mechanical ability and are not written nor intended for someone not familiar with auto repair.

INCLUDED PARTS	QTY	REQUIRED TOOLS
Low Tube Center Section	1	Common Hand Tools
Hardware Pack	1	Stubby Wrench or Swivel Socket



## I. DISASSEMBLY

1. Remove Front Bumper Skid.
  - A. Remove the 4 M4 torx screws attaching the License Plate Bracket (fig. 1).
  - B. Remove the 2 M10 bolts in middle of Front Bumper Skid (fig. 2).
  - C. Remove the 4 torx bolts from bottom and side of Front Bumper Skid (fig. 2).

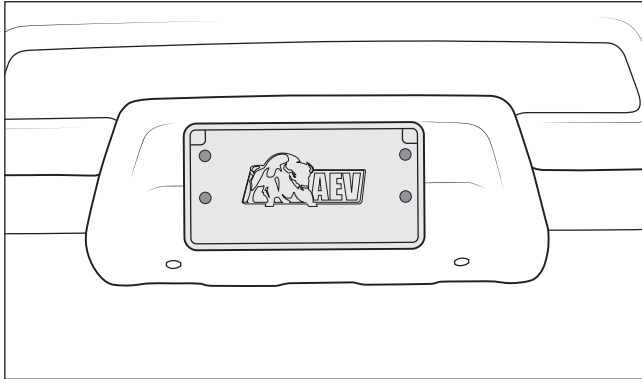


Figure 1

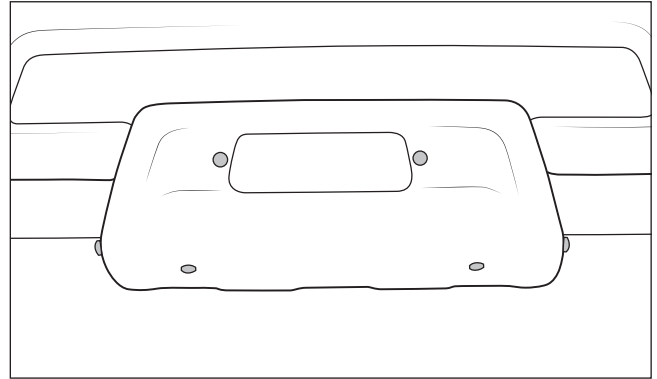


Figure 2

2. Remove the 6 M10 torx bolts attaching the center section of bumper (fig. 3).

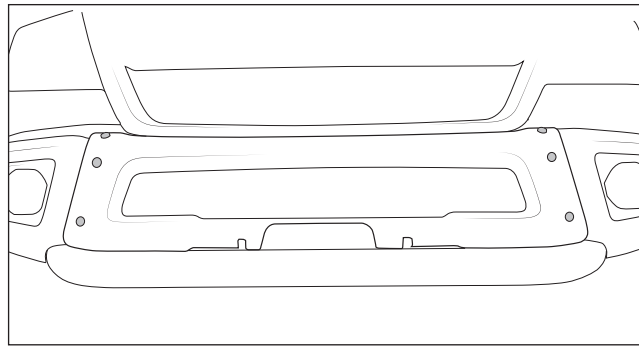


Figure 3

3. Remove the cage nuts from the top two mounting holes (fig.4).

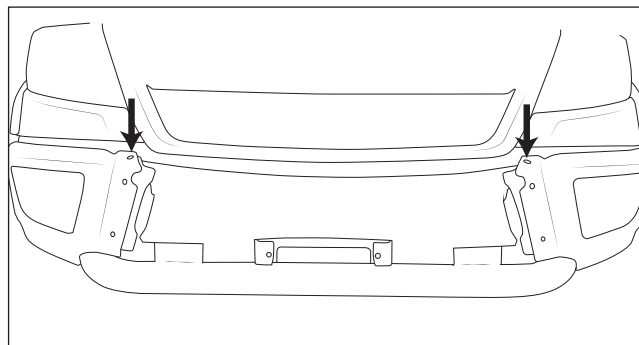


Figure 4

4. Remove LH and RH wheel liner closeouts (fig. 5).

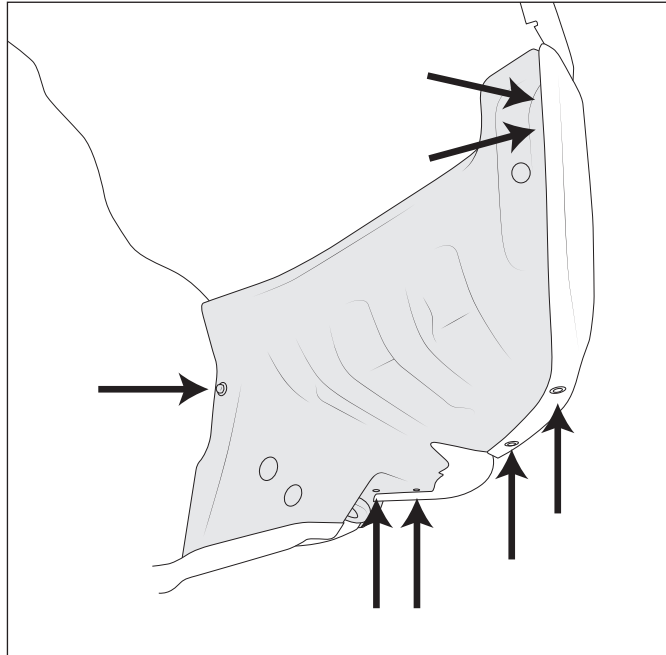


Figure 5

## II. INSTALLATION

1. Install QTY 2 M10 studs into underside of low tube center section into the tube (fig. 6).  
NOTE: use blue loctite on threads before installing. Thread roughly  $\frac{1}{4}$  of the stud into the tube.

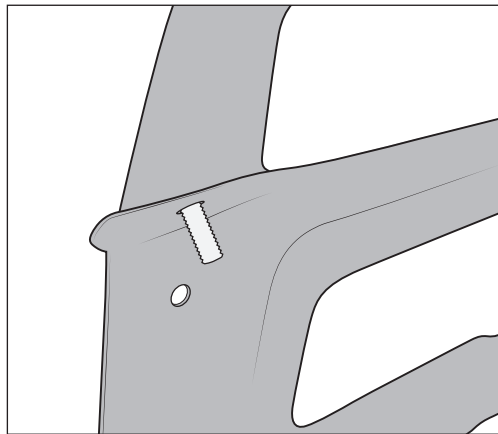
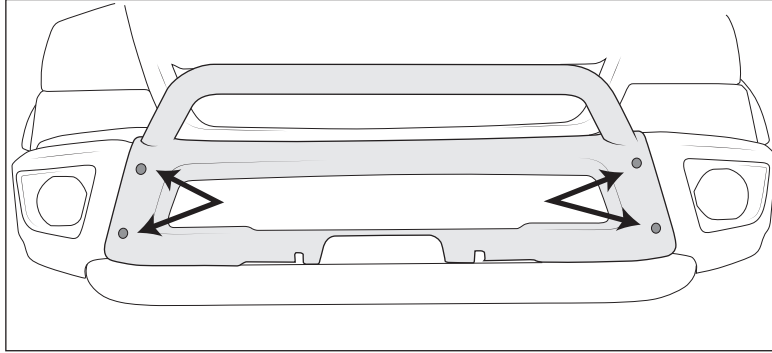


Figure 6

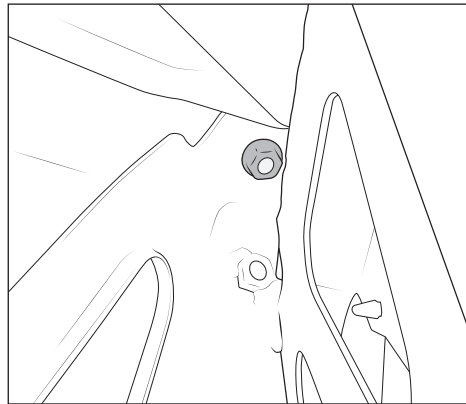
2. Hang new Low Tube center section onto vehicle using the two studs.

- Loosely install QTY 4 M10 torx bolts with M10 fender washers into the center section (fig. 7).



*Figure 6*

- From bottom install QTY 2 nuts onto tube studs. NOTE: Will require the use of a stubby wrench or swivel socket. Ensure full thread engagement on the nuts before tightening down (fig. 7).



*Figure 7*

- Tighten all fasteners.
- Reinstall Wheel Liner Closeouts, Front Bumper Skid and License Plate Bracket.